

*DEKALB COUNTY*

*FIRE & RESCUE*

***PROPOSAL FOR ONE (1)***

***LIGHT DUTY RESCUE***

**SUBMITTED BY SVI TRUCKS**





# SVI TRUCKS – PROPOSAL

**TO THE:**

DeKalb County – Board of Commissioners  
Department of Purchasing and Contracting  
1300 Commerce Drive, 2<sup>nd</sup> Floor  
Decatur, GA 30030

**DATE:** September 24, 2020

We hereby propose and agree to furnish the following firefighting equipment upon your acceptance of this proposal via the Houston-Galveston Area Council (HGAC):

**One (1) SVI Commercial Rescue on a F550 Ford Chassis Complete and Delivered  
for the Total Sum of .....\$248,000.00**

The unit shall be manufactured completely in accordance to the following proposal and inspected at the manufacturing facility in approximately **450 days** from the date of the contract signing or purchase order, subject to delays from all causes beyond our control. Delivery shall be 2-3 weeks following the inspection of unit at the manufacturing facility, subject to delays from all causes beyond our control.

This proposal shall be valid for sixty (**60**) days. If the contract or purchase order is not received within this proposed duration, we reserve the right to extend, withdraw, or modify our proposal, including pricing, delivery times, and prepayment discounts as applicable.

Respectfully submitted,

*Jerry Harley*

Jerry Harley  
Authorized Representative for SVI Trucks

**SVI TRUCKS**

3842 Redman Dr. | Fort Collins, Colorado 80524 | 1-888-784-1112



## **Contract Pricing Worksheets**

Rev 02-05-07

**NOTE: Purchase Orders are not valid unless a copy of the completed worksheet and the customer's order are faxed to HGACBuy at:  
713-993-4548**

**This Workbook contains three versions of HGACBuy's Contract Pricing Worksheet. One is for Standard Equipment / Services, one is for Catalog or Price Sheet type purchases, and the third is for Motor Vehicles only. See tabs at bottom to select appropriate Worksheet.**

Please contact H-GAC staff about use of the worksheets if you have any questions.



**CONTRACT PRICING WORKSHEET**  
For MOTOR VEHICLES Only

Contract No.:

FS12-19

Date Prepared:

05/01/20

*This Worksheet is prepared by Contractor and given to End User. If a PO is issued, both documents **MUST** be faxed to H-GAC @ 713-993-4548. Therefore please type or print legibly.*

Buying Agency:	DeKalb County	Contractor:	Super Vacuum Mfg. Co., Inc. - SVI Trucks
Contact Person:	Bryan Dobson	Prepared By:	Robert Sorensen
Phone:	404-808-0844	Phone:	970-297-7100
Fax:		Fax:	970-297-7099
Email:	bcdobson@dekalbcountyga.gov	Email:	<a href="mailto:bobs@svitrucks.com">bobs@svitrucks.com</a>

Product Code:	<b>FS19HHD01</b>	Description:	Light Rescue, Commercial
---------------	------------------	--------------	--------------------------

**A. Product Item Base Unit Price Per Contractor's H-GAC Contract:** \$ 184,599.00

**B. Published Options - Itemize below - Attach additional sheet(s) if necessary - Include Option Code in description if applicable.**  
(Note: Published Options are options which were submitted and priced in Contractor's bid.)

Description	Cost	Description	Cost
Spartan Chassis Options (1 - 783) Total	\$0.00		
Wildland / Options (784 - 829) Total	\$0.00		
Pumper / Options (830 - 906) Total	\$0.00		
Rescue / Options (907 - 1192) Total	\$35,060.00		
Mobile Air / Options (1193 - 1219) Total	\$0.00		
Tanker / Options (1220 - 1235) Total	\$0.00		
Misc. Options (1236 - 1243) Total	\$0.00		
Equipment Price Books (1244 - 1250)	\$0.00		
		Subtotal From Additional Sheet(s):	
		Subtotal B:	\$35,060.00

**C. Unpublished Options - Itemize below / attach additional sheet(s) if necessary.**  
(Note: Unpublished options are items which were not submitted and priced in Contractor's bid.)

Description	Cost	Description	Cost
Un-Listed Options Total	\$25,841.00		
		Subtotal From Additional Sheet(s):	
		Subtotal C:	\$25,841.00

**Check:** Total cost of Unpublished Options (C) cannot exceed 25% of the total of the Base Unit Price plus Published Options (A+B). For this transaction the percentage is: 12%

**D. Total Cost Before Any Applicable Trade-In / Other Allowances / Discounts (A+B+C)**


Quantity Ordered:	<b>1</b>	X Subtotal of A + B + C:	\$245,500.00	=	Subtotal D:	\$245,500.00
-------------------	----------	--------------------------	--------------	---	-------------	--------------

**E. H-GAC Order Processing Charge (Amount Per Current Policy)** Subtotal E: \$2,000.00

**F. Trade-Ins / Other Allowances / Special Discounts / Freight / Installation**

Description	Cost	Description	Cost
Chassis Carring Charge	\$1,700.00		
Repeat Customer Discount	(\$1,200.00)		
		Subtotal F:	\$500.00

**Delivery Days After PO:** **450** **G. Total Purchase Price (D+E+F):** \$248,000.00

Offeror Name:	Super Vacuum Mfg. Co., Inc. - SVI Trucks			
	<b>Option Description - (Note: When done with option selection, hide all rows with a zero quantity.)</b>			
	<b>HH. SVI Trucks</b>			
<b>Code or Part No.</b>	<b>Option Description</b>	<b>Qty.</b>	<b>Offered Price</b>	<b>Option Total</b>
909	Ford F550 XL, 4-Door Crew Cab, 4 x 4, White, Non NFPA	1	3,224	\$3,224
916	SVI Extreme Front Bumper, Black	1	2,080	\$2,080
917	Extreme Bumper Push Bar, Black	1	642	\$642
920	Warn 12,000 lb. Electric Winch	1	2,521	\$2,521
928	Cab Running Boards: Ford/Dodge 4 Door, Treadplate	1	2,087	\$2,087
930	(2) SCBA Storage Compartments, SS Doors, Rear Fenders	1	1,278	\$1,278
931	Class III Trailer Hitch, 6,000 lb. and Wiring	1	1,993	\$1,993
943	Stationary Mount, OnScene Out/Down Tray, 1000 lb. - 45" D, Ea.	6	1,946	\$11,676
945	Lower Rub Rail, OSS Aluminum	1	1,675	\$1,675
1021	Painted Roll-up Door, Ea.	7	504	\$3,528
1025	Door Drip Pan/Guard Roll-up Door, Ea.	7	232	\$1,624
1038	Stationary Mount, OnScene Transverse Tray, 1000 lb.	1	2,732	\$2,732

***** SPARTAN CHASSIS OPTIONS (1 - 783) *****	<b>Total:</b>	<b>\$0</b>
***** SVI WILDLAND / OPTIONS (784 - 829) *****	<b>Total:</b>	<b>\$0</b>
***** SVI PUMPER / OPTIONS (830 - 906) *****	<b>Total:</b>	<b>\$0</b>
***** SVI RESCUE / OPTIONS (907 - 1192) *****	<b>Total:</b>	<b>\$35,060</b>
***** SVI MOBILE AIR / OPTIONS (1193 - 1219) *****	<b>Total:</b>	<b>\$0</b>
***** SVI TANKER / OPTIONS (1220 - 1235) *****	<b>Total:</b>	<b>\$0</b>
***** MISC. OPTIONS (1236 - 1243) *****	<b>Total:</b>	<b>\$0</b>
***** EQUIPMENT PRICE BOOKS (1244 - 1250) *****	<b>Total:</b>	<b>\$0</b>
<b>Total Listed Options</b>		<b>\$35,060</b>

**UN-PUBLISHED OPTIONS - Procurement No: FS12-19**

**Offeror Name:**

**Super Vacuum Mfg. Co., Inc. - SVI Trucks**



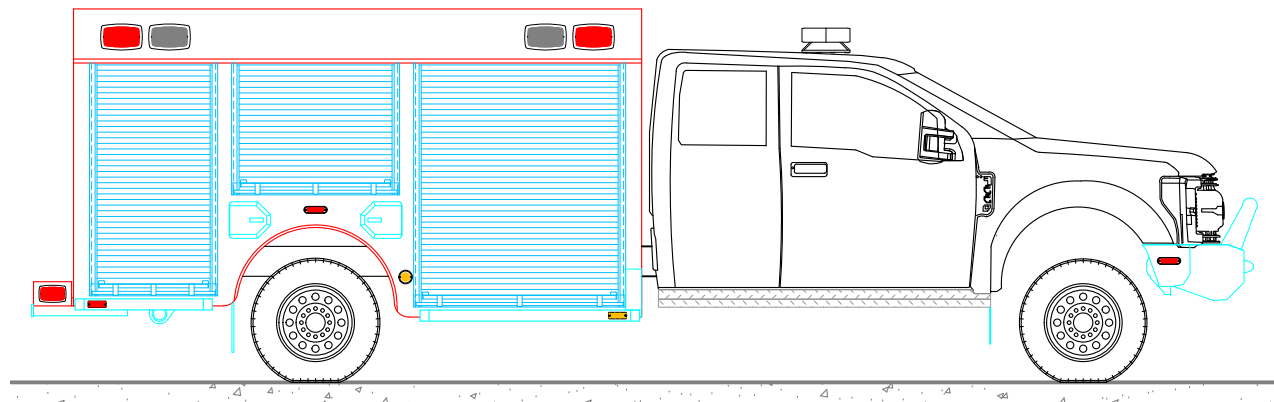
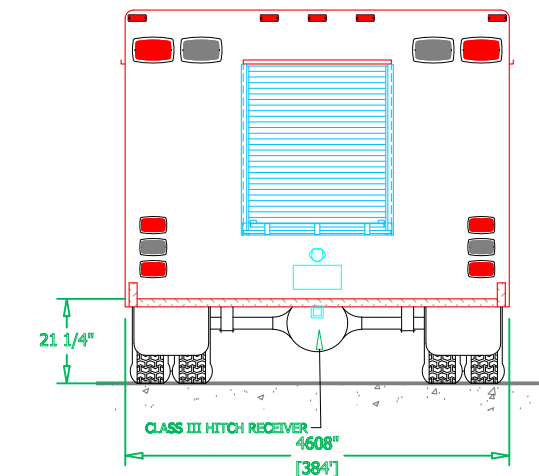
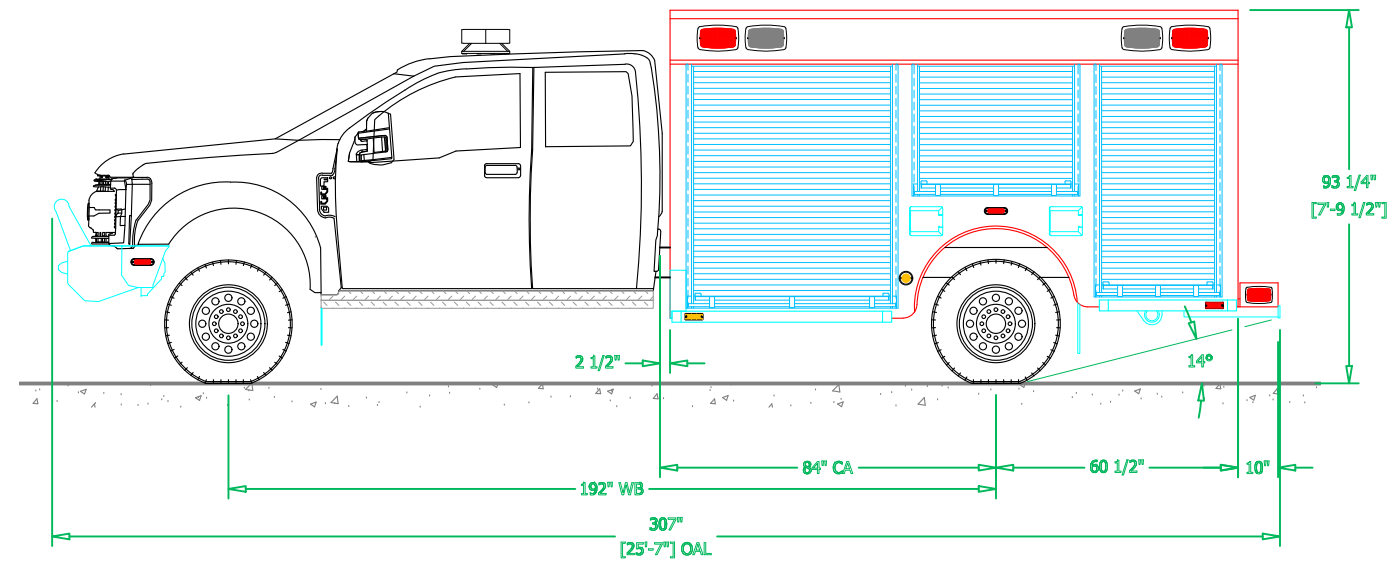
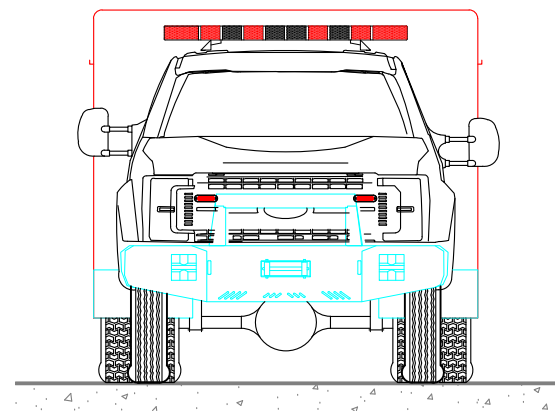
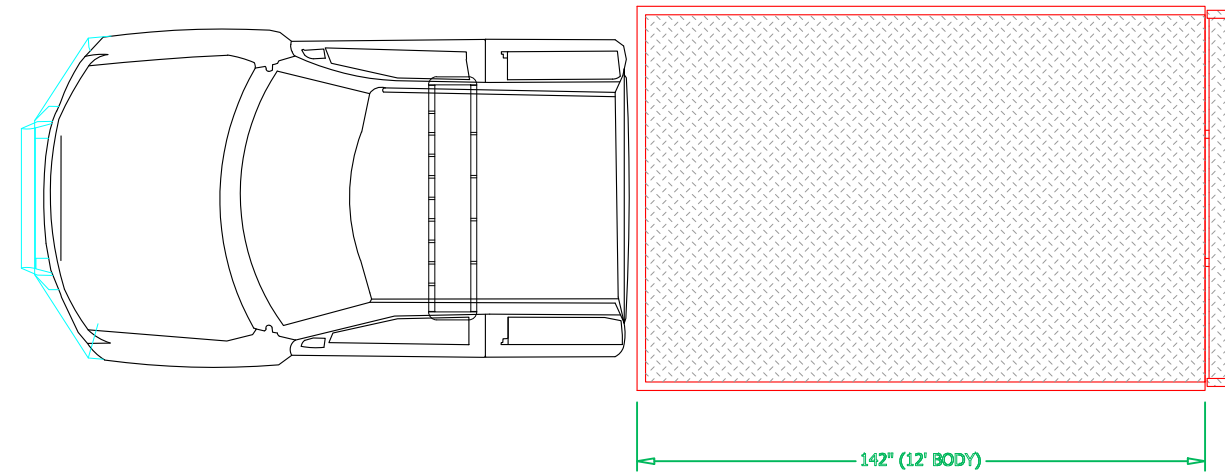
<b>Code or Part No.</b>	<b>Option Description</b>	<b>Qty.</b>	<b>Price</b>	<b>Option Total</b>
<b>***** UN-LISTED OPTIONS *****</b>			<b>Total</b>	<b>\$25,841</b>
UO-1	Seating Modification: Dodge, Ford, Remove Center 40/20/40 Bench	1	\$170	\$170
UO-2	Full Wheel Covers: Rear Wheels, Stainless Steel, Ford 4 x 4	1	\$996	\$996
UO-3	DeKalb County Graphics Scheme	1	\$2,500	\$2,500
UO-4	Interior Finish: Unpainted	1	\$1,769	\$1,769
UO-5	Body Height: 10" Raised Roof (LR)	1	\$770	\$770
UO-6	Flashlight: Streamlight, Fire Vulcan, C4 LED ILO E-Spot	2	\$22	\$44
UO-7	Scene Lights M9 ILO 600 Series	6	\$566	\$3,396
UO-8	M Series warning Lights ILO C-Series	10	\$388	\$3,880
UO-9	Cab Warning Lights ION Series ILO 100 Series	6	\$132	\$792
UO-10	Upgraded Shelving & Tray Configuration	1	\$8,000	\$8,000
UO-11	(1) Siren Speaker Whelen SA314A ILO (1) CPI	1	\$0	\$0
UO-12	Adjustable Compartment Tray Option ILO Stationary	6	\$496	\$2,976
UO-13	Curbside DEF Fill	1	\$548	\$548
UO-14		0	\$0	\$0
UO-15		0	\$0	\$0
UO-16		0	\$0	\$0
UO-17		0	\$0	\$0
UO-18		0	\$0	\$0
UO-19		0	\$0	\$0
UO-20		0	\$0	\$0
UO-21		0	\$0	\$0
UO-22		0	\$0	\$0
UO-23		0	\$0	\$0
UO-24		0	\$0	\$0
UO-25		0	\$0	\$0

PRELIMINARY DRAWING - FOR LAYOUT PURPOSES ONLY

REVISIONS			
REV	DESCRIPTION	DATE	BY

NOTE 1: Do not scale drawing. This drawing is for general truck configuration only. All items and dimensions shown are approximate and may vary with final production. The drawing may not provide illustration for all items in the specification. In all situations where the drawing may contradict the specifications, the specifications shall prevail. This drawing and all data herein are provided as confidential materials and shall not be reproduced without written consent of the manufacturer.

NOTE 2: Chassis frame height will change due to axle characteristics, loading and tire dimensions which will effect the overall height dimension shown. Any overall height restrictions should take this into consideration and allow approximately 2-3 inches of tolerance.



**SVI FIRE & RESCUE TRUCKS**  
3842 REDMAN DRIVE, FORT COLLINS, CO 80524 PHONE 970-297-7100, FAX 970-297-7099

**DEKALB COUNTY  
FIRE DEPARTMENT**

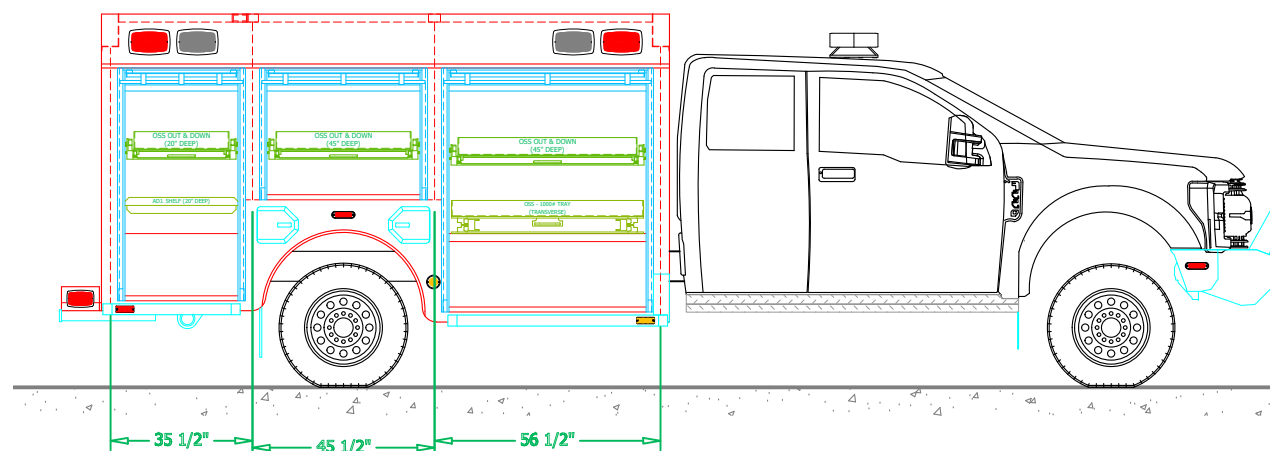
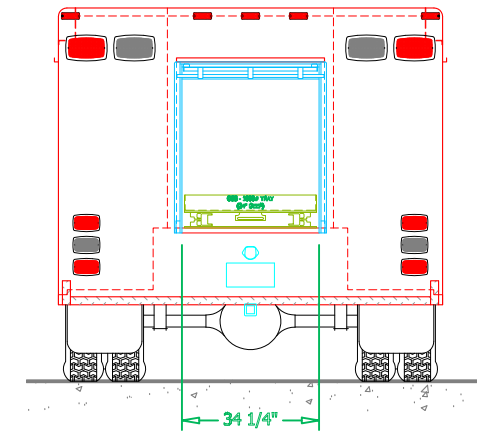
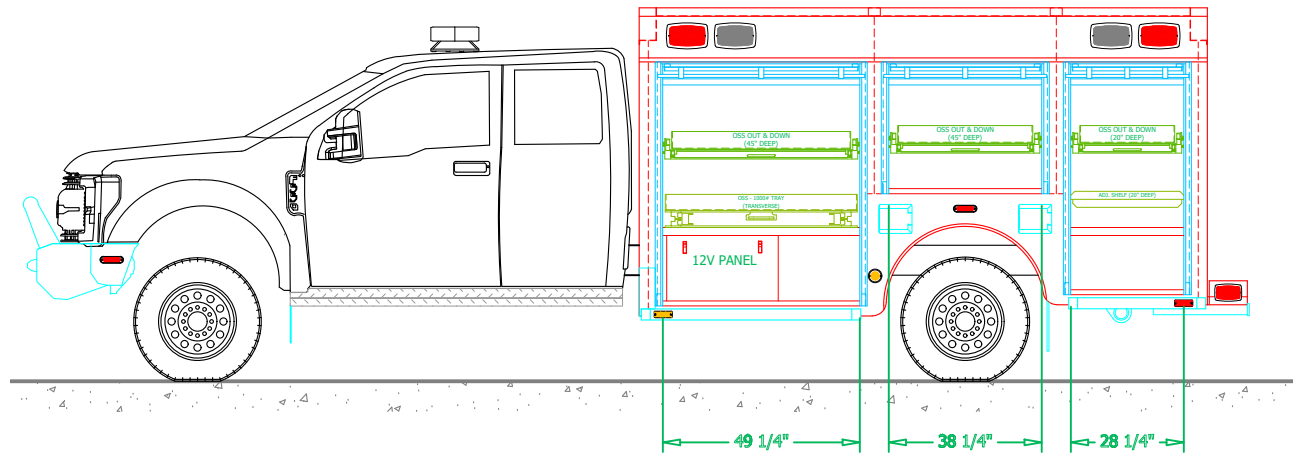
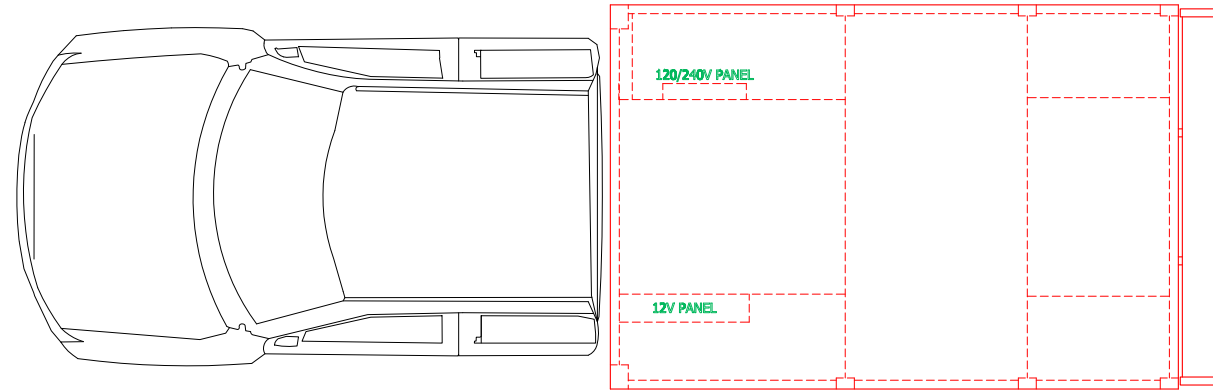
BODY SIZE: <b>12' BODY</b>	UNIT TYPE: <b>LIGHT RESCUE</b>
BODY MATERIAL: <b>3/16" ALUMINUM</b>	TRUCK NO: <b>SVI #1127</b>
CHASSIS TYPE: <b>FORD</b>	WHEELBASE: <b>SEE DWG</b>
<b>F550 4 x 4</b>	CAB TO AXLE: <b>SEE DWG</b>
<b>-</b>	OVERALL LENGTH (OAL): <b>SEE DWG</b>
<b>TWO DOOR</b>	OVERALL WIDTH (OAW): <b>SEE DWG</b>
	OVERALL HEIGHT (OAH): <b>SEE DWG</b>
DRAWN BY: <b>HJR</b>	DATE: <b>September 21, 2020</b>
DRAWING NO: <b>DeKalbCo GA Ir PreJm1</b>	SCALE: <b>1/4" = 1'-0"</b>

SHEET **1** OF **2**

PRELIMINARY DRAWING - FOR LAYOUT PURPOSES ONLY

REVISIONS			
REV	DESCRIPTION	DATE	BY

NOTE 1: Do not scale drawing. This drawing is for general truck configuration only. All items and dimensions shown are approximate and may vary with final production. The drawing may not provide illustration for all items in the specifications. In all situations where the drawing may contradict the specifications, the specifications shall prevail. This drawing and all data herein are provided as confidential materials and shall not be reproduced without written consent of the manufacturer.



**SVI FIRE & RESCUE TRUCKS**  
3842 REDMAN DRIVE, FORT COLLINS, CO 80524 PHONE 970-297-7100, FAX 970-297-7099

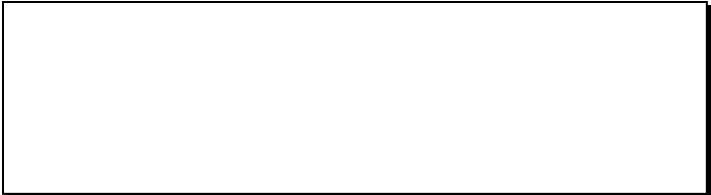
**DEKALB COUNTY  
FIRE DEPARTMENT**

DRAWN BY: HDR	DATE: Sep. 21, 20	SCALE: 1/4" = 1'-0"
DRAWING NO: DeKalbCo GA Ir Prelim1	SHEET 2 OF 2	





Dekalb County Fire Department  
 Bryan Dobson  
 5350 Memorial Drive  
 Stone Mountain, GA 30083  
 bcdobson@dekalbcountygo.cov



**Exp. Date:** 11/16/2020  
**Quote No:** DEKGALR-0003  
**Job/Order No:** SVI #  
 09/24/2020

PART NO	S	DESCRIPTION	QTY	ID
<b>SVI BOILER PLATE SALES PARTS</b>			<b>1</b>	<b>SVI</b>
01-02-2000		Liability Insurance: \$1M General Liability	1	SVI
01-02-3000		Internet In-Process Site	1	SVI
<b>DRAWINGS</b>			<b>1</b>	<b>SVI</b>
01-04-0110		Engineering Drawings, 17" x 11" Sheet	1	SVI
<b>NFPA, GENERAL REQUIREMENTS</b>			<b>1</b>	<b>SVI</b>
01-13-1310		Vehicle Stability (ESC), Cab/Chassis Supplied	1	SVI
01-13-1360		Performance, Roadability 68/60 MPH, Serviceability, 1901 Fire Apparatus	1	SVI
<b>CONSTRUCTION DOCUMENTATION/MANUALS</b>			<b>1</b>	<b>SVI</b>
01-13-1400		Construction Documentation: NFPA 1901, Fire Apparatus	1	SVI
01-13-1450		-- Operations and Service Documentation: One (1) Copy	1	SVI
01-13-1555		-- Manuals: USB Flash Drive, Two (2)	1	SVI
01-13-1710		Fire Apparatus Safety Guide: Fire Apparatus Manufacturer's Association.	1	SVI
<b>STATEMENT OF EXCEPTION</b>			<b>1</b>	<b>SVI</b>
01-13-1750		Statement of Exceptions, Requirements	1	SVI
<b>EQUIPMENT ALLOWANCES</b>			<b>1</b>	<b>SVI</b>
01-13-2025		Carrying Capacity: Special Service, NFPA 1901	1	SVI
01-13-2050		-- Equipment Allowance: Special Service Fire Apparatus 1901	1	SVI
<b>TESTING</b>			<b>1</b>	<b>SVI</b>
01-14-0100		Testing: USA, UL - NFPA 1901, Fire Apparatus	1	SVI
01-14-0160		-- Testing: Road, SVI Tested	1	SVI
01-14-1000		-- Testing: 12 VDC, SVI Tested	1	SVI
01-14-2200		-- Testing: 120/240 VAC, Not Provided	1	SVI
<b>BONDS/FEEES</b>			<b>1</b>	<b>SVI</b>
<b>WARRANTIES</b>			<b>1</b>	<b>SVI</b>
01-40-0100		Warranty: Boiler Plate	1	SVI
01-40-1100	>	-- Warranty: General, 2 Years, Standard	1	SVI
01-40-2000		-- Warranty: Low Voltage Electrical, 5 Year, Standard	1	SVI
01-40-2100		-- Warranty: Structural, 10 Years, Standard	1	SVI
01-40-2350		-- Warranty: Body Undercoat, 20 Years	1	SVI
01-40-3300	>	-- Warranty: Paint, 10 Years, Standard	1	SVI
01-40-3410		-- Warranty: Graphics, 2 Year Install/7 - 10 Year Materials	1	SVI
<b>SPECIAL REQUIREMENTS</b>			<b>1</b>	<b>SVI</b>
01-43-0050	>	Construction Period	450	SVI
01-43-0100		NO Overall Height Requirement	1	SVI
01-43-0200		NO Overall Length Requirement	1	SVI
01-43-0400		Angle Approach and Departure: Fire Apparatus NFPA 1901	1	SVI
02-10-0110	>	Inspection Trips, Delivery, Demonstration	1	SVI
02-10-0120	S >	-- Inspection Trip: Pre-Construction	1	SVI
02-10-0140	S >	-- Inspection Trip: Final	1	SVI
02-10-0200	XS >	Delivery and Demonstration: By Dealer / Representative	1	SVI
<b>CHASSIS</b>			<b>1</b>	<b>SVI</b>
03-SV-0118	>	SVI Supplied: 2020 Ford F550 XL (X5H), 4-Door SC, 4 x 4, Red, Non NFPA	1	SVI
03-SV-9012		-- Cab to Axle: 84", 12' (LR)(UT) Body	1	SVI
03-SV-9910	>	-- Cab/Chassis: Interest Carrying Charge	17	SVI
03-SV-9922		-- Cab/Chassis Handling: Commercial	1	SVI
00-00-0000		SVI QW Data Book v2020.2, Released: June 30, 2020, Expires: November 1, 2020	1	SVI

PART NO	S	DESCRIPTION	QTY	ID
		<b>CHASSIS</b>	<b>1</b>	<b>SVI</b>
10-00-0120		Chassis Options: Light Rescue, USA	1	SVI
		<b>FRONT BUMPER</b>	<b>1</b>	<b>SVI</b>
10-10-1650		-- Bumper: SVI Extreme Commercial, Black Powdercoat	1	SVI
10-10-1657		-- Bumper: SVI Extreme Push Bar	1	SVI
		<b>AIR HORNS</b>	<b>1</b>	<b>SVI</b>
10-11-1010		-- Air Horn: Not Provided	1	SVI
		<b>MOTOR DRIVEN SIRENS</b>	<b>1</b>	<b>SVI</b>
10-12-1102	>	-- Siren Mechanical: No Q2B Siren	1	SVI
		<b>FRONT BUMPER WINCH</b>	<b>1</b>	<b>SVI</b>
10-20-1210	S	-- Front Winch: Warn M 12,000 lb., 125' of 3/8" Cable, 12 VDC	1	SVI
		<b>BUMPER GROUND LIGHTS</b>	<b>1</b>	<b>SVI</b>
A0-6D-1010		-- Ground Lights: Not Provided	1	SVI
		<b>SIREN SPEAKER</b>	<b>1</b>	<b>SVI</b>
N2-A3-1120		-- Speaker: Whelen, (1) SA314A, Alum. Finish	1	SVI
N2-A0-0105		-- Siren Location: Front Bumper, Streetside	1	SVI
		<b>RIGID VDC DRIVING / SCENE LIGHTS</b>	<b>1</b>	<b>SVI</b>
N4-35-1010		-- Front Driving VDC: NO Driving Lights Provided	1	SVI
		<b>AIR INTAKE SYSTEM</b>	<b>1</b>	<b>SVI</b>
10-23-1010		-- Air Inlet: Commercial, Water/Ember Separator, By SVI	1	SVI
		<b>EXHAUST</b>	<b>1</b>	<b>SVI</b>
10-25-1110		-- Exhaust: As Provided by Cab/Chassis	1	SVI
		<b>CAB SEATS AND SCBA BRACKETS</b>	<b>1</b>	<b>SVI</b>
10-B0-3000		-- Seating Modification: Dodge, Ford, Remove Center 40/20/40 Bench	1	SVI
		<b>SEAT BELT AND VDR SYSTEMS</b>	<b>1</b>	<b>SVI</b>
10-B0-B011		-- Seat Belt Color: Commercial, NFPA Compliant, < 19,500 GVWR	1	SVI
10-B0-B021	>	-- Seat Belt: Web Length, Commercial, NFPA Non Compliant	1	SVI
10-B0-B110	>	-- Seat Belt/VDR System: Commercial, NFPA Non Compliant	1	SVI
		<b>MISC COMPONENTS</b>	<b>1</b>	<b>SVI</b>
10-B3-1002		-- Ignition Key: Attached by Cable	1	SVI
10-B3-1006	>	-- Tire Pressure Indicators: LED Heavy Duty, (6) Tires	1	SVI
10-B3-1050		-- Helmet Storage: Not Provided, Driving Area	1	SVI
10-B3-1052		-- Helmet Storage: Not Provided, Crew Area	1	SVI
10-B5-1000		-- Cab Mirrors: Driver Adjustable	1	SVI
		<b>CHASSIS PAINT</b>	<b>1</b>	<b>SVI</b>
10-C0-0100	>	-- Paint Cab: Cab/Chassis Supplied	1	SVI
		<b>CAB TRIM AND OVERLAY</b>	<b>1</b>	<b>SVI</b>
10-C5-5200		-- Cab Running Boards: Ford F-550 4 Door, Treadplate	1	SVI
10-C5-5B44	>	-- Full Wheel Covers: Rear Wheels, Stainless Steel, Ford 4 x 4	1	SVI
10-C6-1000		-- Mudflaps: SVI Logo, 1/4" Rubber	1	SVI
		<b>CHASSIS MISCELLANEOUS</b>	<b>1</b>	<b>SVI</b>
10-HA-2102		-- Road Emergency Safety Kit	1	SVI
		<b>FUEL FILL LOCATION</b>	<b>1</b>	<b>SVI</b>
A0-82-A012		-- Fuel Fill Door: SST, Hinged Door, Streetside Fender	1	SVI
		<b>DEF FILL LOCATION</b>	<b>1</b>	<b>SVI</b>
A0-82-B120	S	-- DEF Fill: SST, Hinged Door, Curbside Fender	1	SVI
		<b>BODY TYPE</b>	<b>1</b>	<b>SVI</b>
A0-10-1120		BODY: 12' Walk Around, Light Rescue, 3 Side Compts.	1	SVI
A0-20-4300		-- MATERIAL: 3/16" aluminum (LR)	1	SVI
A0-25-3100		-- BODY ROOF: 3/16" Aluminum, Treadplate	1	SVI
A0-30-0100		-- SUBFRAME: 2" x 4" x 1/4" Aluminum Tube	1	SVI
A0-40-2110		-- MOUNTING: Bar Stock, Aluminum Subframe	4	SVI
A0-61-1220		-- REAR BUMPER: 10", Aluminum	1	SVI
A0-6A-1110		-- Rear Tow Eyes: (2) Painted, Below Body, Body Subframe	1	SVI
A0-6B-1120		-- Trailer Hitch Receiver: Class III, 6,000 lb, w/o Weight Distribution Hitch	1	SVI
A0-6B-1310		-- Trailer Electrical Receptacle, NFPA Standard	1	SVI
A0-6B-2100		-- Trailer Hitch Receiver: No Hitch Receiver/Trailer Ball	1	SVI
A0-6D-1105		-- Ground Lights: (2) OnScene Access, White LED	1	SVI
A0-80-1200		-- Body Fender Panels: 1/8" Smooth Aluminum (AL)(LR)	1	SVI
A0-81-1010		-- Wheel Well Opening Edge: Die Formed	1	SVI
A0-81-2020		-- Wheel Well Liner: Bolted Polymer	1	SVI
A0-82-1116	S	-- Fender SCBA Compts: SST Door, (2) CS, (2) 8" Dia.	1	SVI
		<b>BODY PAINT - PPG</b>	<b>1</b>	<b>SVI</b>
P1-10-1100		-- Paint Body: Single Color	1	SVI
P1-21-1000		-- Paint Color: Match Cab Chassis Provided Paint Color	1	SVI

PART NO	S	DESCRIPTION	QTY	ID
P1-A0-1100		-- Paint Body: Undercoating	1	SVI
01-40-2350		-- Warranty: Body Undercoat, 20 Years	1	SVI
P1-Z0-1100		-- Paint Body: Warranty, 10 Year	1	SVI
P1-30-1100		-- Interior Finish: Unpainted	1	SVI
		<b>REFLECTIVE STRIPING</b>	<b>1</b>	<b>SVI</b>
P2-01-1110		-- Reflective Striping	1	SVI
P2-05-1010		-- Reflective Stripe Cab: Scotchlite 680 Series	1	SVI
P2-05-2110		-- Reflective Stripe Cab: Side, 4" Scotchlite, Light Duty	1	SVI
P2-01-2010		-- Stripe Color: White	1	SVI
P2-90-5410		-- Reflective Stripe Cab: Side 1" Scotchlite, Above/Below Main Stripe	1	SVI
P2-01-2050		-- Stripe Color: Gold	1	SVI
P2-07-1100		-- Reflective Stripe Cab: Front, 4" Scotchlite	1	SVI
P2-01-2010		-- Stripe Color: White	1	SVI
P2-90-4410		-- Reflective Stripe Cab: Front 1" Scotchlite, Above/Below Main Stripe	1	SVI
P2-01-2050		-- Stripe Color: Gold	1	SVI
P2-08-1100		-- Chevron Stripe: Cab Bumper, Not Provided	1	SVI
P2-09-1100		-- Reflective Stripe: Cab Doors, Scotchlite	1	SVI
P2-01-2010		-- Stripe Color: White	1	SVI
P2-10-1100		-- Reflective Stripe Body: Side, 4" Scotchlite	1	SVI
P2-01-2010		-- Stripe Color: White	1	SVI
P2-90-3010		-- Reflective Stripe Body: Side 1" Scotchlite, Above/Below Main Stripe	1	SVI
P2-01-2050		-- Stripe Color: Gold	1	SVI
P2-C0-1010		-- Stripe Layout: Straight	1	SVI
		<b>MURALS</b>	<b>1</b>	<b>SVI</b>
P2-45-0090		-- Cab Mural: Not Provided	1	SVI
P2-45-1000		-- Body Mural: Not Provided	1	SVI
		<b>CHEVRON STRIPING</b>	<b>1</b>	<b>SVI</b>
P2-65-1012		-- Chevron Rear Body: Diamond Grade, Sides to Drip Rail (LR)(PM)	1	SVI
P2-65-A040		-- Stripe Color: Red and FL Yellow-Green, DG	1	SVI
		<b>LETTERING</b>	<b>1</b>	<b>SVI</b>
P3-00-0100		-- Lettering, Art Flags and Decals	1	SVI
P3-10-0500		-- Lettering Location: Cab Sides	1	SVI
P3-10-2100	>	-- Lettering: SuperGold - 3" high (per letter)	44	SVI
P3-10-4600	S >	-- Lettering: 22K Gold - DCFR Scramble	8	SVI
P3-10-0510		-- Lettering Location: Body Sides	1	SVI
P3-10-2200	>	-- Lettering: SuperGold - 4" high (per letter)	44	SVI
P3-10-0520		-- Lettering Location: Rear Body	1	SVI
P3-10-1010		-- No Lettering	1	SVI
P3-10-0530		-- Lettering Location: Cab Front	1	SVI
P3-10-1010		-- No Lettering	1	SVI
		<b>ART AND DECALS</b>	<b>1</b>	<b>SVI</b>
P3-12-1010		-- Decal: Not Provided	1	SVI
		<b>DOORS</b>	<b>1</b>	<b>SVI</b>
A0-A0-1010		-- Door Details: Roll-up or Hinged, (ALL)	1	SVI
A0-A0-1130	>	-- Roll-up Compartment Doors: Amdor	1	SVI
P2-D0-1010		-- Reflective Stripe with Roll-up Doors	1	SVI
		<b>BODY HEIGHT</b>	<b>1</b>	<b>SVI</b>
A0-V0-1200	>	-- Body Height: 10" Raised Roof (LR)	1	SVI
		<b>BODY WIDTH</b>	<b>1</b>	<b>SVI</b>
A0-W0-1000		-- Body Width: 96"/98" (LR)	1	SVI
		<b>STREETSIDE FORWARD</b>	<b>1</b>	<b>SVI</b>
A1-25-1100		-- Compartment S1 (LR)	1	SVI
CZ-10-1610		-- Width: 56.5 Wall to Wall & 49.2 Door Open [52.0" S2S][WA]	1	SVI
CZ-30-8000		-- Roll-up Door: Amdor	1	SVI
CZ-40-1012		-- Roll-up Door Finish: Amdor, Painted, Job Color, Single Color	1	SVI
CZ-40-2020		-- Door Ajar Switch: Mechanical Type, Harsh Environment - Roll-Up	1	SVI
CZ-41-1110		-- Door Lock: Not Provided	1	SVI
CZ-41-1300		-- Door Pull Strap: Not Provided	1	SVI
CZ-41-2110	>	-- Drip Pan/Door Guard: Roll-up	1	SVI
CZ-51-1000		-- Compartment Threshold: Aluminum	1	SVI
CZ-A0-0110		-- Compartment Components: Storage [WA]	1	SVI
CZ-A0-1230	>	-- Shelf Trac: Aluminum (WA)	1	SVI
CZ-A2-2135	>	-- Tray: OnScene, Adjustable 1,000 lb., Transverse	1	SVI
P1-80-1100		-- Interior Component Finish: Un-painted	1	SVI
CZ-A2-4151		-- Tray: OnScene, Out/Down, Adjustable 150 lb., 46" D, 1/2 Compt.	1	SVI

Depth

PART NO	S	DESCRIPTION	QTY	ID
P1-80-1100		-- Interior Component Finish: Un-painted	1	SVI
P2-E0-1025		-- Reflective Stripe: Tray Options	1	SVI
CZ-90-1130		-- Compartment Components: Front Full Height [LR]	1	SVI
CZ-91-1110		-- Floor: Extended	1	SVI
CZ-A0-0260		-- Compartment Components: VDC	1	SVI
CZ-B0-2325		-- Compartment Lights: (2) OnScene Access, White LED	1	SVI
CZ-B0-1130	>	-- 12 VDC Distribution Panel: Streetside S1 Front Lower	1	SVI
<b>STREETSIDE WHEELWELL</b>			<b>1</b>	<b>SVI</b>
A3-25-1110		-- Compartment S2 (LR)	1	SVI
CZ-10-1410		-- Width: 45.0" Wall to Wall & 38.0" Door Open [41.0" S2S][WA]	1	SVI
CZ-30-8000		-- Roll-up Door: Amdor	1	SVI
CZ-40-1012		-- Roll-up Door Finish: Amdor, Painted, Job Color, Single Color	1	SVI
CZ-40-2020		-- Door Ajar Switch: Mechanical Type, Harsh Environment - Roll-Up	1	SVI
CZ-41-1110		-- Door Lock: Not Provided	1	SVI
CZ-41-1300		-- Door Pull Strap: Not Provided	1	SVI
CZ-41-2110	>	-- Drip Pan/Door Guard: Roll-up	1	SVI
CZ-51-1000		-- Compartment Threshold: Aluminum	1	SVI
CZ-A0-0110		-- Compartment Components: Storage [WA]	1	SVI
CZ-A0-1230	>	-- Shelf Trac: Aluminum (WA)	1	SVI
CZ-A2-4150		-- Tray: OnScene, Out/Down, Adjustable 250 lb., 47" D, 1/2 Compt.	1	SVI
Depth				
P1-80-1100		-- Interior Component Finish: Un-painted	1	SVI
P2-E0-1025		-- Reflective Stripe: Tray Options	1	SVI
CZ-90-1230		-- Compartment Components: Over Rear Wheels [LR]	1	SVI
CZ-A0-0270		-- Compartment Components: VDC (ORW)	1	SVI
CZ-B0-2425		-- Compartment Lights: (2) OnScene Access, White LED, Over Wheel	1	SVI
<b>STREETSIDE REAR</b>			<b>1</b>	<b>SVI</b>
A5-25-1100		-- Compartment S3 (LR)	1	SVI
CZ-10-1210		-- Width: 35.0" Wall to Wall & 28.2" Door Open [31.0" S2S][WA]	1	SVI
CZ-30-8000		-- Roll-up Door: Amdor	1	SVI
CZ-40-1012		-- Roll-up Door Finish: Amdor, Painted, Job Color, Single Color	1	SVI
CZ-40-2020		-- Door Ajar Switch: Mechanical Type, Harsh Environment - Roll-Up	1	SVI
CZ-41-1110		-- Door Lock: Not Provided	1	SVI
CZ-41-1300		-- Door Pull Strap: Not Provided	1	SVI
CZ-41-2110	>	-- Drip Pan/Door Guard: Roll-up	1	SVI
CZ-51-1000		-- Compartment Threshold: Aluminum	1	SVI
CZ-A0-0110		-- Compartment Components: Storage [WA]	1	SVI
CZ-A0-1230	>	-- Shelf Trac: Aluminum (WA)	1	SVI
CZ-A0-1310	S	-- Shelf: Adjustable, 20" D	1	SVI
P1-80-1100		-- Interior Component Finish: Un-painted	1	SVI
CZ-A2-4145	S	-- Tray: OnScene, Out/Down, Adjustable 250 lb., 20"D	1	SVI
P1-80-1100		-- Interior Component Finish: Un-painted	1	SVI
P2-E0-1025		-- Reflective Stripe: Tray Options	1	SVI
CZ-90-1330		-- Compartment Components: Rear Full Height [LR]	1	SVI
CZ-91-1110		-- Floor: Extended	1	SVI
CZ-A0-0280		-- Compartment Components: VDC (BRW)	1	SVI
CZ-B0-2462		-- Compartment Lights: (2) OnScene Access, LED, Behind Wheel	1	SVI
CZ-A5-1140		-- Compartment Vent: Plastic Louvers	1	SVI
<b>CURBSIDE FORWARD</b>			<b>1</b>	<b>SVI</b>
B1-25-1100		-- Compartment C1 (LR)	1	SVI
CZ-10-1610		-- Width: 56.5 Wall to Wall & 49.2 Door Open [52.0" S2S][WA]	1	SVI
CZ-30-8000		-- Roll-up Door: Amdor	1	SVI
CZ-40-1012		-- Roll-up Door Finish: Amdor, Painted, Job Color, Single Color	1	SVI
CZ-40-2020		-- Door Ajar Switch: Mechanical Type, Harsh Environment - Roll-Up	1	SVI
CZ-41-1110		-- Door Lock: Not Provided	1	SVI
CZ-41-1300		-- Door Pull Strap: Not Provided	1	SVI
CZ-41-2110	>	-- Drip Pan/Door Guard: Roll-up	1	SVI
CZ-51-1000		-- Compartment Threshold: Aluminum	1	SVI
CZ-A0-0110		-- Compartment Components: Storage [WA]	1	SVI
CZ-A0-1230	>	-- Shelf Trac: Aluminum (WA)	1	SVI
CZ-A2-2136	>	-- Tray: OnScene, Adjustable 1,000 lb., Transverse Opposite Side	1	SVI
CZ-A2-4151		-- Tray: OnScene, Out/Down, Adjustable 150 lb., 46" D, 1/2 Compt.	1	SVI
Depth				
P1-80-1100		-- Interior Component Finish: Un-painted	1	SVI
P2-E0-1025		-- Reflective Stripe: Tray Options	1	SVI

PART NO	S	DESCRIPTION	QTY	ID
CZ-90-1130		-- Compartment Components: Front Full Height [LR]	1	SVI
CZ-91-1110		-- Floor: Extended	1	SVI
CZ-A0-0260		-- Compartment Components: VDC	1	SVI
CZ-B0-2325		-- Compartment Lights: (2) OnScene Access, White LED	1	SVI
CZ-B0-1110	>	-- 12 VDC Distribution Panel: Streetside (Must Select in S1 )	1	SVI
		<b>CURBSIDE WHEELWELL</b>	<b>1</b>	<b>SVI</b>
B3-25-1110		-- Compartment C2 (LR)	1	SVI
CZ-10-1410		-- Width: 45.0" Wall to Wall & 38.0" Door Open [41.0" S2S][WA]	1	SVI
CZ-30-8000		-- Roll-up Door: Amdor	1	SVI
CZ-40-1012		-- Roll-up Door Finish: Amdor, Painted, Job Color, Single Color	1	SVI
CZ-40-2020		-- Door Ajar Switch: Mechanical Type, Harsh Environment - Roll-Up	1	SVI
CZ-41-1110		-- Door Lock: Not Provided	1	SVI
CZ-41-1300		-- Door Pull Strap: Not Provided	1	SVI
CZ-41-2110	>	-- Drip Pan/Door Guard: Roll-up	1	SVI
CZ-51-1000		-- Compartment Threshold: Aluminum	1	SVI
CZ-A0-0110		-- Compartment Components: Storage [WA]	1	SVI
CZ-A0-1230	>	-- Shelf Trac: Aluminum (WA)	1	SVI
CZ-A2-4150		-- Tray: OnScene, Out/Down, Adjustable 250 lb., 47" D, 1/2 Compt.	1	SVI
		Depth		
P1-80-1100		-- Interior Component Finish: Un-painted	1	SVI
P2-E0-1025		-- Reflective Stripe: Tray Options	1	SVI
CZ-90-1230		-- Compartment Components: Over Rear Wheels [LR]	1	SVI
CZ-A0-0270		-- Compartment Components: VDC (ORW)	1	SVI
CZ-B0-2425		-- Compartment Lights: (2) OnScene Access, White LED, Over Wheel	1	SVI
		<b>CURBSIDE REAR</b>	<b>1</b>	<b>SVI</b>
B5-25-1100		-- Compartment C3 (LR)	1	SVI
CZ-10-1210		-- Width: 35.0" Wall to Wall & 28.2" Door Open [31.0" S2S][WA]	1	SVI
CZ-30-8000		-- Roll-up Door: Amdor	1	SVI
CZ-40-1012		-- Roll-up Door Finish: Amdor, Painted, Job Color, Single Color	1	SVI
CZ-40-2020		-- Door Ajar Switch: Mechanical Type, Harsh Environment - Roll-Up	1	SVI
CZ-41-1110		-- Door Lock: Not Provided	1	SVI
CZ-41-1300		-- Door Pull Strap: Not Provided	1	SVI
CZ-41-2110	>	-- Drip Pan/Door Guard: Roll-up	1	SVI
CZ-51-1000		-- Compartment Threshold: Aluminum	1	SVI
CZ-A0-0110		-- Compartment Components: Storage [WA]	1	SVI
CZ-A0-1230	>	-- Shelf Trac: Aluminum (WA)	1	SVI
CZ-A0-1310	S	-- Shelf: Adjustable, 20" D	1	SVI
P1-80-1100		-- Interior Component Finish: Un-painted	1	SVI
CZ-A2-4145	S	-- Tray: OnScene, Out/Down, Adjustable 250 lb., 20"D	1	SVI
P1-80-1100		-- Interior Component Finish: Un-painted	1	SVI
P2-E0-1025		-- Reflective Stripe: Tray Options	1	SVI
CZ-90-1330		-- Compartment Components: Rear Full Height [LR]	1	SVI
CZ-91-1110		-- Floor: Extended	1	SVI
CZ-A0-0280		-- Compartment Components: VDC (BRW)	1	SVI
CZ-B0-2462		-- Compartment Lights: (2) OnScene Access, LED, Behind Wheel	1	SVI
CZ-A5-1140		-- Compartment Vent: Plastic Louvers	1	SVI
		<b>REAR CENTER</b>	<b>1</b>	<b>SVI</b>
C1-10-1330		-- Compartment RC1 (LR)	1	SVI
C1-20-1120		-- Enclosed Rear Center Compartment	1	SVI
C1-30-1110		-- Rear Center: Above Frame Only	1	SVI
CZ-10-1310		-- Width: 41.5" Wall to Wall & 34.2" Door Open [37.0" S2S][WA]	1	SVI
CZ-30-8000		-- Roll-up Door: Amdor	1	SVI
CZ-40-1012		-- Roll-up Door Finish: Amdor, Painted, Job Color, Single Color	1	SVI
CZ-40-2020		-- Door Ajar Switch: Mechanical Type, Harsh Environment - Roll-Up	1	SVI
CZ-41-1110		-- Door Lock: Not Provided	1	SVI
CZ-41-1300		-- Door Pull Strap: Not Provided	1	SVI
CZ-41-2110	>	-- Drip Pan/Door Guard: Roll-up	1	SVI
CZ-51-1000		-- Compartment Threshold: Aluminum	1	SVI
CZ-A0-0110		-- Compartment Components: Storage [WA]	1	SVI
CZ-A0-1230	>	-- Shelf Trac: Aluminum (WA)	1	SVI
CZ-A2-1120	S	-- Tray: OnScene, Stationary 1000 lb., 34" D	1	SVI
P1-80-1100		-- Interior Component Finish: Un-painted	1	SVI
CZ-A0-0260		-- Compartment Components: VDC	1	SVI
CZ-B0-2325		-- Compartment Lights: (2) OnScene Access, White LED	1	SVI
CZ-J0-1112		-- HP Fill Station: Compressor, Not Included	1	SVI

PART NO	S	DESCRIPTION	QTY	ID
<b>ADDITIONAL COMPARTMENTATION</b>			<b>1</b>	<b>SVI</b>
<b>MISC BODY OPTIONS</b>			<b>1</b>	<b>SVI</b>
E0-02-0200		-- Additional Body Options, 12' Light Rescue	1	SVI
<b>RUBRAILS</b>			<b>1</b>	<b>SVI</b>
EB-10-1080		-- Lower Rub Rail: OSS, 12' Body	1	SVI
EB-10-3002		-- Lower Rub Rail: No Warning Lights	2	SVI
P2-F0-1000		-- Reflective Stripe: Rubrail, Not Provided	1	SVI
<b>BODY PROTECTION PANELS</b>			<b>1</b>	<b>SVI</b>
EC-10-1110		-- Gravel Guards: Stainless, Front Lower Corners	1	SVI
<b>AWNING / ADD-A-ROOM</b>			<b>1</b>	<b>SVI</b>
EJ-10-1000	>	-- NO Awning: Streetside	1	SVI
EJ-10-1010	>	-- NO Awning: Curbside	1	SVI
EJ-10-1015	>	-- NO Awning: Rear	1	SVI
<b>VDC</b>			<b>1</b>	<b>SVI</b>
N0-10-1100		-- 12 VDC System: Commercial, (LR)(MP)	1	SVI
<b>VDC CONTROL CENTER</b>			<b>1</b>	<b>SVI</b>
N0-11-2105		-- 12 VDC Control Center: Weldon Multiplex, Commercial, (LR)(MP)(UT)	1	SVI
N0-11-6114		-- Multiplex Display: Weldon Vista IV, Push-Button, Commercial Cab, SVI	1	SVI
		Supplied		
N0-11-6200		-- Multiplex Downloader & Diagnostic Kit: Not Provided	1	SVI
N0-14-2500		-- Center Cab Console: Front, PC Paint, Commercial, Multiplex	1	SVI
N0-14-2610		-- Center Console Options: 12 VDC/120 VAC	1	SVI
10-S5-0150		-- Accessory Mounting: 120 VAC Duplex Outlet	1	SVI
R2-D1-2410		-- Outlet Powered By: Shore Power	1	SVI
<b>ELECTRONIC SIRENS</b>			<b>1</b>	<b>SVI</b>
N2-22-1100	>	-- Siren: Whelen 295SLSA1, 100/200 Watt, Hands-Free, Selectable	1	SVI
		Tones		
10-S5-0120	>	-- Accessory Mounting: Radio, 3" Recessed	1	SVI
N2-30-1010		-- Siren Operation: Siren Head Only	1	SVI
<b>VDC BATTERY SYSTEM</b>			<b>1</b>	<b>SVI</b>
N0-18-1300		-- Battery System: Ford or Dodge Chassis	1	SVI
<b>VDC BATTERY SYSTEM</b>			<b>1</b>	<b>SVI</b>
N0-18-2200		-- Battery Switch: Keyed Ignition	1	SVI
N0-18-3100		-- Battery Solenoid: 200 Amp	1	SVI
<b>BATTERY CONDITIONER</b>			<b>1</b>	<b>SVI</b>
N0-19-1015	>	-- Battery Conditioner: Blue Sea P12, 25 Amp	1	SVI
N0-19-8105		-- Battery System: Blue Sea EV Charge Indicator	1	SVI
N0-19-A220	>	-- Shore Power Inlet: Blue Sea Sure Eject, 20 Amp, Yellow Cover	1	SVI
N0-19-A320		-- Shore Power Inlet Location: Front of Body	1	SVI
<b>VDC STANDARD OPTIONS</b>			<b>1</b>	<b>SVI</b>
N0-18-4300		-- 12 VDC: Standard and Optional Equipment (LR)(MP)	1	SVI
<b>ENGINE COMPARTMENT LIGHTS</b>			<b>1</b>	<b>SVI</b>
N0-20-2200		-- Engine Compartment Light: Cab Chassis Supplied	1	SVI
<b>HAZARD WARNING LIGHT</b>			<b>1</b>	<b>SVI</b>
N0-24-1100		-- Hazard Warning Light: Truck-Lite Red LED, NFPA 1901	1	SVI
N0-24-1110		-- Door Ajar Audible Alarm	1	SVI
<b>BACKUP ALARMS AND STOPS</b>			<b>1</b>	<b>SVI</b>
N0-25-1000		-- Back-up Alarm - Electronic: 107 dB	1	SVI
<b>BACKUP CAMERA</b>			<b>1</b>	<b>SVI</b>
N0-25-B100		-- Backup Camera: Not Provided	1	SVI
N0-25-E110		-- Vehicle Event Camera: Not Provided	1	SVI
<b>TAIL LIGHTS</b>			<b>1</b>	<b>SVI</b>
N1-10-1519		-- Tail Lights: Whelen (4) M6 LED, Individual Bezel (LR)(MP)(UT)	1	SVI
N3-10-1151		-- Light Bezel: Whelen M6, Chrome	4	SVI
<b>MIDSHIP AND CLEARANCE MARKER</b>			<b>1</b>	<b>SVI</b>
N1-12-2000	>	-- Clearance Lights: Truck-Lite Mini LED (UT)	1	SVI
<b>GROUND/UNDERBODY LIGHTS</b>			<b>1</b>	<b>SVI</b>
N1-12-3115	>	-- Cab Step/Door Ground Lights: OnScene Access, White LED	2	SVI
<b>BUMPER SURFACE LIGHTS</b>			<b>1</b>	<b>SVI</b>
N1-12-3510		-- No Bumper Surface Lights	1	SVI
<b>LICENSE PLATE</b>			<b>1</b>	<b>SVI</b>
N1-12-4200		-- License Plate: LED Light and Bracket	1	SVI
<b>VDC SCENE LIGHT / LIGHT TOWER</b>			<b>1</b>	<b>SVI</b>
N4-20-0003		-- No Light Tower or Directional VDC Lights	1	SVI
N4-20-0005		-- No Front Scene VDC Lights	1	SVI

PART NO	S	DESCRIPTION	QTY	ID
N4-20-1150	>	-- Side Scene VDC (1): Whelen M9 Series, 24 LED, Chrome	4	SVI
N4-20-0033		-- Light Control: Multiplex Display(s)	4	SVI
N4-20-A150		-- Rear Scene VDC (2): Whelen M9 Series, 24 LED, Chrome	1	SVI
N4-20-0033		-- Light Control: Multiplex Display(s)	1	SVI
N4-23-1100		-- Rear Scene Light Activation in Reverse	1	SVI
		<b>TRAFFIC DIRECTIONAL ADVISOR</b>	<b>1</b>	<b>SVI</b>
N9-30-1010		-- No Directional Light	1	SVI
		<b>INTERCOM SYSTEM</b>	<b>1</b>	<b>SVI</b>
NC-10-0010		-- No Intercom System	1	SVI
		<b>WARNING LIGHT SYSTEM</b>	<b>1</b>	<b>SVI</b>
N5-05-1100		-- Warning Light System, Commercial Cab	1	SVI
N5-09-1100		-- NFPA Warning Light Package	1	SVI
N5-20-1015		-- Upper Level: Whelen, Commercial Cab	1	SVI
N5-20-2010		-- Zone A - Front Commercial Cab	1	SVI
N5-20-2410	< >	-- Lightbar: Whelen Freedom F4NOVLED, LED, 60"	1	SVI
N4-20-0043		-- Lightbar Control: Multiplex Display(s)	1	SVI
N5-20-3000		-- Zones B & D - Side Upper Rear	1	SVI
N3-05-M201		-- Warning Lights: (2) Whelen M9 Series, Red, Color Lens	1	SVI
N3-10-1171		-- Light Bezel: Whelen M9, Chrome	2	SVI
N3-15-M253		-- Flash Pattern: Whelen M6, M7 and M9, Action Scan, Factory Default	1	SVI
N4-20-0033		-- Light Control: Multiplex Display(s)	1	SVI
N5-20-3500		-- Upper Front Warning Lights (Not required by NFPA)	1	SVI
N3-05-M201		-- Warning Lights: (2) Whelen M9 Series, Red, Color Lens	1	SVI
N3-10-1171		-- Light Bezel: Whelen M9, Chrome	2	SVI
N3-15-M253		-- Flash Pattern: Whelen M6, M7 and M9, Action Scan, Factory Default	1	SVI
N4-20-0033		-- Light Control: Multiplex Display(s)	1	SVI
N5-20-4000		-- Zone C - Rear	1	SVI
N3-05-M202		-- Warning Lights: (1) Whelen M9 Series, Red, Clear Lens	1	SVI
N3-10-1171		-- Light Bezel: Whelen M9, Chrome	1	SVI
N3-15-M253		-- Flash Pattern: Whelen M6, M7 and M9, Action Scan, Factory Default	1	SVI
N4-20-0033		-- Light Control: Multiplex Display(s)	1	SVI
N6-20-1018		-- Lower Level: Whelen, Commercial Medium Duty	1	SVI
N6-20-2000		-- Zone A - Front	1	SVI
N3-05-I001		-- Warning Lights: (2) Whelen ION Series, Red, Clear Lens, Chrome	1	SVI
N4-20-0033		-- Light Control: Multiplex Display(s)	1	SVI
N6-20-3010		-- Zones B & D - Cab Intersection, Front	1	SVI
N3-05-I001		-- Warning Lights: (2) Whelen ION Series, Red, Clear Lens, Chrome	1	SVI
N4-20-0033		-- Light Control: Multiplex Display(s)	1	SVI
N6-20-3030		-- Zones B & D - No Cab Auxiliary Light	1	SVI
N6-20-3035		-- Zones B & D - No Body Auxiliary Light	1	SVI
N6-20-3040		-- Zones B & D - Rear Wheel Well	1	SVI
N3-05-I001		-- Warning Lights: (2) Whelen ION Series, Red, Clear Lens, Chrome	1	SVI
N4-20-0033		-- Light Control: Multiplex Display(s)	1	SVI
N6-20-3060		-- Zones B & D - Body Intersection, Rear	1	SVI
N3-05-M001		-- Warning Lights: (2) Whelen M6 Series LED, Red, Color Lens	1	SVI
N3-10-1151		-- Light Bezel: Whelen M6, Chrome	2	SVI
N3-15-M253		-- Flash Pattern: Whelen M6, M7 and M9, Action Scan, Factory Default	1	SVI
N4-20-0033		-- Light Control: Multiplex Display(s)	1	SVI
N6-20-4000		-- Zone C - Rear	1	SVI
N3-05-M001		-- Warning Lights: (2) Whelen M6 Series LED, Red, Color Lens	1	SVI
N3-10-1151		-- Light Bezel: Whelen M6, Chrome	2	SVI
N3-15-M253		-- Flash Pattern: Whelen M6, M7 and M9, Action Scan, Factory Default	1	SVI
N4-20-0033		-- Light Control: Multiplex Display(s)	1	SVI
		<b>VAC</b>	<b>1</b>	<b>SVI</b>
R0-00-0110		-- No VAC System	1	SVI
		<b>NFPA EQUIPMENT ALLOWANCE</b>	<b>1</b>	<b>SVI</b>
X0-02-1002		Special Service Equipment	1	SVI
X0-02-1007	>	-- Special Service Equip: 15,001-20,000 GVWR. - 2,500 Lbs.	1	SVI
		<b>MINOR EQUIPMENT LIST</b>	<b>1</b>	<b>SVI</b>
X0-03-1010		-- Special Service Minor Equipment List: NFPA 1901	1	SVI
		<b>MISC. ITEMS</b>	<b>1</b>	<b>SVI</b>
X0-05-1100		-- Assorted Fasteners	1	SVI
		<b>WHEEL CHOCKS</b>	<b>1</b>	<b>SVI</b>
X0-10-1200		-- Wheel Chocks: (2) Zico AC-32, Non-Folding, 32" Tires	1	SVI
X0-10-A114	S	-- Wheel Chocks: Mounted per Customer	1	SVI





# Dekalb County Fire & Rescue

F550 Light Rescue

## **LIABILITY INSURANCE**

The manufacturer shall furnish with the bid a certificate of insurance for;

Workman's Compensation and Employer's Liability Insurance covering for all employees.

General Liability (each occurrence) of \$1,000,000.00. General Aggregate coverage of \$2,000,000.00. Products Completed / Operations Aggregate coverage of \$2,000,000.00. Medical Expense coverage of \$5,000 (any one person). Personal Injury of \$1,000,000.00.

Automobile liability of \$1,000,000.00 combined single limit (each accident), including any auto, all owned autos, scheduled autos, hired autos, non-owned autos, and garage liability.

Excess Umbrella Liability coverage of \$6,000,000.00 each occurrence, Aggregate of \$6,000,000.00. Garage Keepers Liability coverage of \$6,000,000.00 combined limit.

All insurance policies must be;

- Maintained for the life of the contract,
- Must provide ten (10) days notice before cancellation,
- Must cover all operations of the contractor, or anyone employed by them.

## **INTERNET IN-PROCESS SITE**

The manufacturer shall post and maintain a website where the Dekalb County Fire & Rescue will be able to view digital images of their apparatus as its being built. The digital images shall be posted once a week starting when the body begins production or when the cab/chassis arrives and shall continue until the final completion of unit.

## **ENGINEERING DRAWINGS**

The evaluation of bids shall also be based on design, engineering reliability, and completeness of drawings. No Bidder's proposal shall be considered unless complete engineering drawings to these specifications are submitted with the request for proposal package. Failure to submit factory prepared blueprints with bid shall result in automatic rejection. Submission of "bid drawings" are in addition to "production drawings" which must be submitted for Dekalb County Fire & Rescue approval prior to construction. Bid drawings shall allow the Dekalb County Fire & Rescue the ability to fully evaluate required product.

The engineering drawings shall be produced on computer aided design (CAD) equipment to assure critical tolerance and detail only available with CAD equipment. The drawings shall be on "B" size paper, 17" x 11" in size, and views must be 1/4" = 1' - 0" scale. This shall allow the Dekalb County Fire & Rescue the ability to compare drawings of all manufacturers on an "equal" basis. The drawings shall be completed only by the body manufacturer, and must be exactly to Dekalb County Fire & Rescue specifications. Submission of "similar to" drawings or "statements referring to later submission of drawings after award of contract" shall be automatically rejected.

Since the request for proposal package will require extensive evaluation by Dekalb County Fire & Rescue, all Bidders must submit exactly the same engineering drawings at the same scale, on the same size paper. For easy comparison of drawings, they must be on a 17" x 11" sheet as follows:

- All bid drawings will be stamped BID DRAWING.
- All items shown on the drawing will be pre-designed with regards to layout and functionality prior to the completion of the BID DRAWING.

09/24/20

# Dekalb County Fire & Rescue

## F550 Light Rescue

- Two (2) 17" x 11" color drawings will be supplied with the bid proposal. Black and white or blue line drawings will not be accepted.
- There shall be five (5) views of the truck with the doors closed (Top, Left, Right, Front, Rear), four (4) views of the truck with the doors open (Top, Left, Right, Rear) and four (4) views of any walk-in area (Top, Left, Right, Rear).
- All compartment door openings and usable space shall be clearly shown in inches.
- The trucks overall length, height, width, wheelbase and cab-to-axle dimensions shall be clearly shown.
- The angles of approach and departure shall be shown in the maximum loaded condition to the nearest degree.
- All lighting packages will be clearly shown on the drawing and verified accurate per the most current NFPA standards (when applicable).
- The exterior view shall show all scene lights, marker lights, speakers, horns, exhaust, tow points, exterior outlets, windows, winch receivers, tow hitches, exterior ladders and any other item important to the function of the vehicle.
- The open view shall show all trays, shelves, air system components, hydraulic components, tool boards, storage modules and any other items important to the function of the vehicle.
- The interior view for all walk-in areas shall show all seating positions, desks, cabinets, windows, tech equipment, radio locations and any other item important to the function of the vehicle.
- Any changes to the BID drawing will require a revision which will be clearly annotated in the upper right hand side of the drawing showing the revision number, reason for the revision, date and who made the changes.

### Text Block Items;

- Purchaser's name.
- Body size and material type.
- Chassis manufacturer and model number.
- Unit description.
- Wheelbase (WB) , Cab-to-axle (CA) distance.
- Overall length (OAL), Overall width, (OAW), Overall height (OAH).
- Scale, date, drawn by, drawing number and sheet number.

### **VEHICLE STABILITY SUPPLIED WITH CAB/CHASSIS**

The cab/chassis shall be equipped with a stability control system. The system shall have, at a minimum, a steering wheel position sensor, a vehicle yaw sensor, a lateral accelerometer and individual wheel brake controls.

### **FIRE APPARATUS PERFORMANCE**

The fire apparatus shall meet the requirements of this standard at elevations of 2000 ft (600 m) above sea level.

The fire apparatus shall meet all the requirements of this standard while stationary on a grade of 6 percent in any direction.

The fire apparatus shall meet the requirements of this standard in ambient temperature conditions between 32°F (0°C) and 110°F (43°C).

### **HIGHWAY PERFORMANCE**

The apparatus, when loaded to its estimated in-service weight, shall be capable of the following performance while on dry, paved roads that are in good condition:

- 1) Accelerating from 0 to 35 mph (55 km/hr) within 25 seconds on a 0 percent grade
- 2) Attaining a speed of 50 mph (80 km/hr) on a 0 percent grade
- 3) Maintaining a speed of at least 20 mph (32 km/hr) on any grade up to and including 6 percent

# Dekalb County Fire & Rescue

## F550 Light Rescue

The maximum top speed of fire apparatus with a GVWR over 26,000 lb (11,800 kg) shall not exceed either 68 mph (109 km/hr) or the manufacturer's maximum fire service speed rating for the tires installed on the apparatus, whichever is lower.

If the combined water tank and foam agent tank capacities on the fire apparatus exceed 1250 gal (4732 L), or the GVWR of the vehicle is over 50,000 lb (22,680 kg), the maximum top speed of the apparatus shall not exceed either 60 mph (95 km/hr) or the manufacturer's maximum fire service speed rating for the tires installed on the apparatus, whichever is lower.

### **SERVICEABILITY**

The fire apparatus shall be designed to allow the manufacturer's recommended routine maintenance checks of lubricant and fluid levels to be performed by the operator without lifting the cab of a tilt-cab apparatus or without the need for hand tools.

Where special tools are required for routine service on any component of the apparatus, such tools shall be provided with the apparatus.

Apparatus components that interfere with repair or removal of other major components shall be attached with fasteners, such as cap screws and nuts, so that the components can be removed and installed with ordinary hand tools. These components shall not be welded or otherwise permanently secured into place.

### **FIRE APPARATUS DOCUMENTATION**

The contractor shall supply, at the time of delivery, at least one (1) copy of the following documents:

- 4) The manufacturers record of apparatus construction details, including the following documents:
  - a) Owner's name and address
  - b) Apparatus manufacturer, model, and serial number
  - c) Chassis make, model, and serial number
  - d) GAWR of front and rear axles and GVWR
  - e) Front tire size and total rated capacity in pounds (kilograms)
  - f) Rear tire size and total rated capacity in pounds (kilograms)
  - g) Chassis weight distribution in pounds (kilograms) with water and manufacturer-mounted equipment (front and rear)
  - h) Engine make, model, serial number, rated horsepower and related speed, and governed speed; and if so equipped, engine transmission PTO(s) make, model, and gear ratio
  - i) Type of fuel and fuel tank capacity
  - j) Electrical system voltage and alternator output in amps
  - k) Battery make, model, and capacity in cold cranking amps (CCA)
  - l) Chassis transmission make, model, and serial number; and if so equipped, chassis transmission PTO(s) make, model, and gear ratio
  - m) Ratios of all driving axles
  - n) Maximum governed road speed
  - o) Pump make, model, rated capacity in gallons per minute (liters per minute where applicable), maximum discharge pressure capability rating, and serial number
  - p) Pump transmission make, model, serial number, and gear ratio
  - q) Auxiliary pump make, model, rated capacity in gallons per minute (liters per minute where applicable), and serial number

# Dekalb County Fire & Rescue

## F550 Light Rescue

- r) Water tank certified capacity in gallons or liters
  - s) Foam tank (if provided) certified capacity in gallons (liters)
  - t) Aerial device type, rated vertical height in feet (meters), rated horizontal reach in feet (meters), and rated capacity in pounds (kilograms)
  - u) Paint manufacturer and paint number(s)
  - v) Company name and signature of responsible company representative
  - w) Weight documents from a certified scale showing actual loading on the front axle, rear axle(s), and overall fire apparatus (with the water tank full but without personnel, equipment, and hose)
- 2) Certification of compliance of the optical warning system (*see 13.8.16*)
  - 3) Siren manufacturer's certification of the siren (*see 13.9.1.1*)
  - 4) Written load analysis and results of the electrical system performance tests (*see 13.14.1 and Section 13.15*)
  - 5) Certification of slip resistance of all stepping, standing, and walking surfaces (*see 15.7.4.5*)
  - 6) If the apparatus has a fire pump, the pump manufacturer's certification of suction capability (*see 16.2.4.1*)
  - 7) If the apparatus is equipped with a fire pump and special conditions are specified by the purchaser, the pump manufacturer's certification of suction capacity under the special conditions (*see 16.2.4.2*)
  - 8) If the apparatus has a fire pump, a copy of the apparatus manufacturer's approval for stationary pumping applications (*see 16.3.1*)
  - 9) If the apparatus has a fire pump, the engine manufacturer's certified brake horsepower curve for the engine furnished, showing the maximum governed speed (*see 16.3.2.2*)
  - 10) If the apparatus has a fire pump, the pump manufacturer's certification of the hydrostatic test (*see 16.5.2.2*)
  - 11) If the apparatus has a fire pump with a maximum discharge pressure capability rating that exceeds the hydrostatic test pressure of 16.5.2.1, the pump manufacturer's certification of the hydrodynamic test
  - 12) If the apparatus has a fire pump, the certification of inspection and test for the fire pump (*see 16.13.1.1.5 or 16.13.1.2.4 as applicable*)
  - 13) If the apparatus is equipped with an auxiliary pump, the apparatus manufacturer's certification of the hydrostatic test (*see Section 17.13*)
  - 14) When the apparatus is equipped with a water tank, the certification of water tank capacity (*see Section 18.6*)
  - 15) If the apparatus has an aerial device, the certification of inspection and test for the aerial device (*see Section 19.24*)
  - 16) If the apparatus has an aerial device, all the technical information required for inspections to comply with NFPA 1911
  - 17) If the apparatus has a foam proportioning system, the foam proportioning system manufacturer's certification of accuracy (*see 20.10.4.2*) and the final installer's certification the foam proportioning system meets this standard (*see 20.11.2*)
  - 18) If the system has a CAFS, the documentation of the manufacturer's pre delivery tests (*see Section 21.9*)
  - 19) If the apparatus has a line voltage power source, the certification of the test for the power source (*see 22.15.7.2*)
  - 20) If the apparatus is equipped with an air system, air tank certificates (*see 24.5.1.2*), the SCBA fill station certification (*see 24.9.6*), and the results of the testing of the air system installation (*see 24.14.5 and 24.15.4*)
  - 21) Any other required manufacturer test data or reports

### **OPERATIONS AND SERVICE DOCUMENTATION**

The contractor shall deliver with the fire apparatus complete operation and service documentation covering the completed apparatus as delivered and accepted.

The documentation shall address at least the inspection, service, and operations of the fire apparatus and all major components thereof.

The contractor shall also deliver with the fire apparatus the following documentation for the entire apparatus and each major operating system or major component of the apparatus:

- 22) Manufacturer's name and address

# Dekalb County Fire & Rescue

## F550 Light Rescue

- 23) Country of manufacture
- 24) Source for service and technical information
- 25) Parts replacement information
- 26) Descriptions, specifications, and ratings of the chassis, pump (if applicable), and aerial device (if applicable)
- 27) Wiring diagrams for low voltage and line voltage systems to include the following information:
  - a) Pictorial representations of circuit logic for all electrical components and wiring
  - b) Circuit identification
  - c) Connector pin identification
  - d) Zone location of electrical components
  - e) Safety interlocks
  - f) Alternator–battery power distribution circuits
  - g) Input/output assignment sheets or equivalent circuit logic implemented in multiplexing systems
- 28) Lubrication charts
- 29) Operating instructions for the chassis, any major components such as a pump or aerial device, and any auxiliary systems
- 30) Precautions related to multiple configurations of aerial devices, if applicable
- 31) Instructions regarding the frequency and procedure for recommended maintenance
- 32) Overall apparatus operating instructions
- 33) Safety considerations
- 34) Limitations of use
- 35) Inspection procedures
- 36) Recommended service procedures
- 37) Troubleshooting guide
- 38) Apparatus body, chassis and other component manufacturer's warranties
- 39) Special data required by this standard
- 40) A material safety data sheet (MSDS) for any fluid that is specified for use on the apparatus

The contractor shall deliver with the apparatus all manufacturer's operations and service documents supplied with components and equipment that are installed or supplied by the contractor.

### **NFPA REQUIRED DOCUMENTATION FORMAT - USB FLASH DRIVE**

The vehicle construction details and the operations and service documentation as required per NFPA 1901 latest edition shall be provided on a USB Flash Drive. These manuals shall be divided into sections for ease of reference. There shall be two (2) USB flash drives provided with the completed vehicle.

### **FIRE APPARATUS SAFETY GUIDE**

A Fire Apparatus Safety Guide published by Fire Apparatus manufacturer's Association shall be provided with delivered vehicle. This manual includes essential safety information for fire fighters, fire chiefs, apparatus mechanics, and fire department safety officers. The guide is applicable to municipal, wildland, and airport fire fighting apparatus manufactured on either custom or commercial chassis.

### **STATEMENT OF EXCEPTIONS**

The final-stage manufacturer shall deliver with the fire apparatus either a certification that the apparatus fully complies with all requirements of this standard or alternatively, a Statement of Exceptions specifically describing each aspect of the completed apparatus that is not fully compliant with the requirements of this standard at the time of delivery.

The Statement of Exceptions shall contain, for each noncompliant aspect of the apparatus or missing required item, the following information:

# Dekalb County Fire & Rescue

## F550 Light Rescue

- 41) A separate specification of the section of the applicable standard for which compliance is lacking
- 42) A description of the particular aspect of the apparatus that is not in compliance therewith or required equipment that is missing
- 43) A description of the further changes or modifications to the delivered apparatus that must be completed to achieve full compliance
- 44) Identification of the entity that will be responsible for making the necessary post delivery changes or modifications or for supplying and installing any missing required equipment to the apparatus to achieve full compliance with this standard

Prior to or at the time of delivery of the apparatus, the Statement of Exceptions shall be signed by an authorized agent of the entity responsible for final assembly of the apparatus and by an authorized agent of the purchasing entity, indicating mutual understanding and agreement between the parties regarding the substance thereof.

### **CARRYING CAPACITY**

The GAWR and the GCWR or GVWR of the chassis shall be adequate to carry the weight of the completed vehicle when loaded to its estimated in-service weight. The manufacturer shall establish the estimated in service weight during the design of the vehicle.

The estimated in-service weight shall include the following:

45. The chassis, body and tank(s)
46. Full fuel, lubricant, and other chassis or component fluid tanks or reservoirs
47. Full water and other agent tanks
48. \*250 lb (114 kg) in each seating position
49. Fixed equipment such as pumps, aerial devices, generators, reels and air systems as installed
50. Ground ladders, suction hose, designed hose load in their hose beds and on their reels
51. An allowance for miscellaneous equipment that is the greatest of the following:
  - a) The values shown for items 1 - 7
  - b) A purchaser-provided list of equipment to be carried with weights
  - c) A purchaser-specified miscellaneous equipment allowance

The manufacturer shall engineer and design the fire apparatus such that the completed apparatus, when loaded to its estimated in-service weight, with all movable weights distributed as close as is practical to their intended in-service configuration, does not exceed the GVWR.

A final manufacturer's certification of the GVWR or GCWR, along with a certification of each GAWR, shall be supplied on a label affixed to the vehicle.

The fire apparatus manufacturer shall permanently affix a high-visibility label in a location visible to the driver while seated.

The label shall show the height of the completed unequipped fire apparatus in feet and inches (meters), the length of the completed fire apparatus in feet and inches (meters), and the GVWR in tons (metric tons).

Wording on the label shall indicate that the information shown was current when the apparatus was manufactured and that, if the overall height changes while the vehicle is in service, the fire department must revise that dimension on the plate.

# DeKalb County Fire & Rescue

## F550 Light Rescue

Apparatus Type	Equip. Storage Area	Apparatus Size	Equipment Allowance	
			lb.	kg.
Special Service Fire Apparatus	Minimum of 120 cu ft (3.4 cu mt) of enclosed compartmentation.	10,000 lb to 15,000 lb (4,500 kg to 7,000 kg) GVWR	2,000	910
		15,001 lb to 20,000 lb (7,001 kg to 9,000 kg) GVWR	2,500	1,135
		20,001 lb to 30,000 lb (9,001 kg to 14,000 kg) GVWR	3,000	1,350
		30,001 lb to 40,000 lb (14,001 kg to 18,000 kg) GVWR	4,000	1,800
		40,001 lb to 50,000 lb (18,001 kg to 23,000 kg) GVWR	6,000	2,700
		50,001 lb to 60,000 lb (23,001 kg to 27,000 kg) GVWR	8,000	3,600
		60,001 lb and up (27,001 kg) GVWR	10,000	4,500

### **TESTING**

#### **ROAD TEST**

Each apparatus shall be tested by the manufacturer before delivery to verify that it meets the following criteria;

Tests shall be conducted at a location and in a manner that does not violate local, state or provincial, or federal traffic laws. Tests shall be conducted on a dry, level, paved surface that is free of loose material, oil, or grease. Tests shall be conducted with the water and foam tanks full (water or product).

The apparatus shall accelerate from 0 to 35 mph (55 km/hr) within 25 seconds. The apparatus shall attain a speed of 50 mph (80 km/ hr).

The auxiliary braking system, if so equipped, shall function as intended by the auxiliary braking system manufacturer.

The air service brakes shall bring the apparatus to a complete stop from a speed of 20 mph (32.2 km/hr) in a distance not exceeding 35 ft (10.7 m).

The hydraulic service brakes shall bring the apparatus to a complete stop from a speed of 30 mph (48.2 km/hr) in a distance not exceeding 88 ft (26.8 m).

#### **LOW VOLTAGE - ELECTRICAL SYSTEM PERFORMANCE TEST**

The vehicles low voltage electrical system shall be tested and certified by the manufacturer. The certified test results shall be delivered with the completed vehicle. Tests shall be performed when the air temperature is between 0°F and 110°F (-18°C and 43°C).

# Dekalb County Fire & Rescue

## F550 Light Rescue

### **TEST SEQUENCE**

The following three (3) tests shall be performed in the order in which they appear below. Before each test, the batteries shall be fully charged until the voltage stabilizes at the voltage regulator set point and the lowest charge current is maintained for ten (10) minutes. Failure of any of these tests shall require a repeat of the sequence.

#### **1. RESERVE CAPACITY TEST**

The engine shall be started and kept running until the engine and engine compartment temperatures are stabilized at normal operating temperatures and the battery system is fully charged. The engine shall be shut off and the minimum continuous electrical load shall be activated for ten (10) minutes.

All electrical loads shall be turned off prior to attempting to restart the engine. The battery system shall then be capable of restarting the engine. Failure to restart the engine shall be considered a test failure of the battery system.

#### **2. ALTERNATOR PERFORMANCE TEST**

##### **TEST AT IDLE**

The minimum continuous electrical load shall be activated with the engine running at idle speed. The engine temperature shall be stabilized at normal operating temperature. The battery system shall be tested to detect the presence of battery discharge current. The detection of battery discharge current shall be considered a test failure.

##### **TEST AT FULL LOAD**

The total continuous electrical load shall be activated with the engine running up to the engine manufacturer's governed speed. The test duration shall be a minimum of two (2) hours. Activation of the load management system shall be permitted during this test.

An alarm sounded by excessive battery discharge, as detected by the warning system required in 13.3.4, or a system voltage of less than 11.8 V dc for a 12 V nominal system, 23.6 V dc for a 24 V nominal system, or 35.4 V dc for a 42 V nominal system for more than 120 seconds shall be considered a test failure.

#### **3. LOW VOLTAGE ALARM TEST**

The following test shall be started with the engine off and the battery voltage at or above 12 V for a 12 V nominal system, 24 V for a 24 V nominal system or 36 V for a 42 V nominal system.

With the engine shut off, the total continuous electrical load shall be activated and shall continue to be applied until the excessive battery discharge alarm activates. The battery voltage shall be measured at the battery terminals.

The test shall be considered a failure if the alarm does not sound in less than 140 seconds after the voltage drops to 11.70 V for a 12 V nominal system, 23.4 V dc for a 24 V nominal system, or 35.1 V for a 42 V nominal system.

The battery system shall then be able to restart the engine. Failure to restart the engine shall be considered a test failure.

#### **LOW VOLTAGE - ELECTRICAL SYSTEM PERFORMANCE TEST**

### **DOCUMENTATION**



# Dekalb County Fire & Rescue

## F550 Light Rescue

The manufacturer shall deliver the following with the fire apparatus:

- 52) Documentation of the electrical system performance tests
- 53) A written electrical load analysis, including the following:
  - a) The nameplate rating of the alternator
  - b) The alternator rating
  - c) Each of the component loads specified that make up the minimum continuous electrical load
  - d) Additional electrical loads that, when added to the minimum continuous electrical load, determine the total continuous electrical load
  - e) Each individual intermittent electrical load

### **WARRANTY**

A full statement shall be provided of the warranties for the vehicle(s) being bid. Warranties should clearly describe the terms under which the vehicle manufacturer accepts responsibility for the cost to repair defects caused by faulty design, quality of work or material and for the applicable period of time after delivery.

Cost of repairs refers to all costs related thereto including, but not limited to, the cost of materials and the cost of labor.

The Body Manufacturer shall warrant all materials and accessories used on the vehicle(s), whether fabricated by manufacturer or purchased from an outside source and will deal directly with the Dekalb County Fire & Rescue on all warranty work.

### **GENERAL LIMITED WARRANTY - TWO (2) YEARS**

The vehicle shall be free of defects in material and workmanship for a period of two (2) years or 36,000 miles (or 57,936 kilometers), whichever occurs first starting thirty (30) days after the original invoice date.

The Contractor must be the "single source" coordinator of all warranties on the vehicle.

### **LOW VOLTAGE ELECTRICAL WARRANTY - FIVE (5) YEARS**

The vehicle low voltage electrical system shall be free of defects in material and workmanship for a period of five (5) years or 60,000 miles (or 96,561 kilometers), whichever occurs first, starting thirty (30) days after the original invoice date.

### **STRUCTURAL WARRANTY - TEN (10) YEARS**

The body shall be free of structural or design failure or workmanship for a period of ten (10) years, or 100,000 miles (or 160,934 kilometers), whichever occurs first, starting thirty (30) days after the original invoice date.

### **UNDERCOAT WARRANTY**

The body undercoating shall have a warranty provided by the manufacturer for the lifetime of the vehicle or twenty (20) years, whichever occurs first. The warranty shall be transferable between vehicle owners. Should the undercoating material applied to the underside of the body and wheel wells of the vehicle ever flake off, peel, chip or crack due to drying out, the damaged area shall be re-sprayed without charge to the vehicle owner.

### **PAINT LIMITED WARRANTY - TEN (10) YEARS**

# Dekalb County Fire & Rescue

## F550 Light Rescue

The body shall be free of bubbling or peeling as a result of a defect in the method of manufacture for a period of ten (10) years or 100,000 miles (or 160,934 kilometers), whichever occurs first, starting thirty (30) days after the original invoice date. **Pro-rated warranties will not be acceptable.**

### **GRAPHICS LIMITED WARRANTY**

The 3M graphics installation shall be warranted for a period of two (2) years. The 3M materials installed on completed vehicle shall be warranted for seven (7) years. The 3M Diamond grade film (if specified) shall be warranted for ten (10) years.

### **CONSTRUCTION PERIOD**

The completed vehicle shall be delivered within four hundred fifty (450) days after receipt of a purchase order or contract.

Contractor shall not be held liable for delays of chassis delivery due to accidents, strikes, floods or other events not subject to their control. Contractor shall provide immediate written notice to Dekalb County Fire & Rescue as to delays and to what extent these delays have in completing vehicle within the stated construction time period.

### **OVERALL HEIGHT REQUIREMENT**

There is no overall height (OAH) restriction for this vehicle.

### **OVERALL LENGTH REQUIREMENT**

There is no overall length (OAL) restriction for this vehicle.

### **ANGLE OF APPROACH**

The angle of approach for this vehicle shall not be less than eight (8) degrees when it is loaded to the estimated in-service weight as specified by the current edition of NFPA 1901.

### **ANGLE OF DEPARTURE**

The angle of departure for this vehicle shall not be less than eight (8) degrees when it is loaded to the estimated in-service weight as specified by the current edition of NFPA 1901.

### **PRE-CONSTRUCTION CONFERENCE**

A pre-construction conference shall be required at the Contractor's factory for one (1) personnel from the Dekalb County Fire & Rescue to finalize all construction details prior to manufacturing.

The Contractor shall at his/her expense, provide transportation, lodging, rental car and meal expenses during the pre-construction conference. Any travel distance greater than 250 miles shall be by non-stop commercial air travel.

### **FINAL INSPECTION CONFERENCE**

A final inspection conference shall be required at the Contractor's factory for one (1) personnel from the Dekalb County Fire & Rescue to inspect the vehicle and construction details prior to shipment of the completed vehicle. This inspection shall take place after any specified striping and lettering is installed.

# Dekalb County Fire & Rescue

## F550 Light Rescue

The Contractor shall at his/her expense, provide transportation, lodging, rental car and meal expenses during the final inspection conference. Any travel distance greater than 250 miles shall be by non-stop commercial air travel.

### **DELIVERY AND DEMONSTRATION**

The Contractor shall be responsible for the delivery of the completed unit to the Dekalb County Fire & Rescue's location. On initial delivery of the apparatus, the Contractor shall supply a qualified representative to demonstrate the apparatus and provide initial instruction to representatives of the Dekalb County Fire & Rescue regarding the operation, care and maintenance of the apparatus and equipment supplied at Dekalb County Fire & Rescue location.

The Delivery Engineer shall set delivery and instruction schedule with the person appointed by Dekalb County Fire & Rescue.

After delivery of the apparatus, the Dekalb County Fire & Rescue shall be responsible for ongoing training of its personnel to proficiency regarding the proper and safe use of the apparatus and associated equipment.

### **CAB CHASSIS SPECIFICATIONS**

#### **Base Vehicle**

X5H Ford F550 XL, 4-Door Super Cab, 4 x 4

#### **Packages**

660A Order Code 660A

*Includes:*

- *Transmission: TorqShift 10-Speed Automatic Includes selectable drive modes: normal, tow/haul, eco and deep sand/snow.*
- *Tires: 225/70Rx19.5G BSW A/P*
- *Wheels: 19.5" Argent Painted Steel*
- *Radio: AM/FM Stereo w/MP3 Player Includes 6 speakers.*
- *SYNC Communications & Entertainment System Includes enhanced voice recognition, 911 Assist, 4.2" LCD center stack screen, AppLink, 1 smart-charging USB-C port and steering wheel audio controls.*

#### **Powertrain**

99T Engine: 6.7L 4V OHV Power Stroke V8 Turbo Diesel B20

*Includes Diesel Exhaust Fluid (DEF) tank, intelligent oil-life monitor and manual push-button engine-exhaust braking.*

*Includes:*

- *Dual 78-AH 750 CCA Batteries*

44G Transmission: TorqShift 10-Speed Automatic

*Includes selectable drive modes: normal, tow/haul, eco and deep sand/snow.*

X8L Limited Slip w/4.88 Axle Ratio

68M GVWR: 19,500 lb Payload Plus Upgrade Package

*Includes upgraded frame, rear-axle and low deflection/high capacity springs. Increases max RGAWR to 14,706.*

#### **Wheels & Tires**

TGK Tires: 225/70Rx19.5G BSW Traction (TGK)

*Includes 4 traction tires on the rear and 2 traction tires on the front. Not recommended for over the road applications; could incur irregular front tire wear and/or NVH.*

64Z Wheels: 19.5" Argent Painted Steel

# Dekalb County Fire & Rescue

F550 Light Rescue

## **Seats & Seat Trim**

- 1 Cloth 40/20/40 Split Bench Seat, Cloth 60-40 Folding Rear Split-Bench Seat  
*Includes center armrest, cupholder, storage and driver's side manual lumbar.*

# Dekalb County Fire & Rescue

## F550 Light Rescue

### Other Options

PAINT Monotone Paint Application

STDRD Radio: AM/FM Stereo w/MP3 Player

*Includes 6 speakers.*

*Includes:*

*- SYNC Communications & Entertainment System Includes enhanced voice recognition, 911 Assist, 4.2" LCD center stack screen, AppLink, 1 smart-charging USB-C port and steering wheel audio controls.*

90L Power Equipment Group

*Deletes passenger side lock cylinder. Includes upgraded door-trim panel.*

*Includes:*

*- Accessory Delay*

*- Advanced Security Pack*

*Includes SecuriLock Passive Anti-Theft System (PATS) and inclination/intrusion sensors.*

*- Trailer Tow Mirrors w/Power Heated Glass, Includes manual telescoping, heated convex spotter mirror and integrated clearance lamps/turn signals.*

*- MyKey, Includes owner controls feature.*

*- Power Front & Rear Side Windows, Includes 1-touch up/down driver/passenger window.*

*- Power Locks*

*- Remote Keyless Entry*

213 4x4 Electronic-Shift-On-The-Fly (ESOF)

41H Engine Block Heater

41P Transfer Case Skid Plates

61J 6-Ton Hydraulic Jack

62R Transmission Power Take-Off Provision

*Includes transmission mounted live drive and stationary mode PTO.*

98R Operator Commanded Regeneration (OCR)

67B 397 Amp Alternators

872 Rear View Camera & Prep Kit

*Upfitters kit includes camera with mounting bracket, 14' jumper wire and camera mounting and aiming instructions. Kit requires video display option to be added to unit. Reference order guide for information. Related option content: 872, 585 and 96V. Includes loose camera and*

*additional wiring bundle.*

41A Rapid-Heat Supplemental Cab Heater

*Includes:*

*- 397 Amp Alternators*

43C 110V/400W Outlet

# Dekalb County Fire & Rescue

## F550 Light Rescue

### Fleet Options

47J Fire/Rescue Prep Pkg w/EPA Special Emissions (LPO)

Requires valid FIN code.

*Includes 7,000 lbs. max front springs/GAWR rating for configuration selected. Incomplete vehicle package - requires further manufacture and certification by a final stage manufacturer. Ford urges Fire/Rescue vehicle manufacturers to follow the recommendations of the Ford Incomplete Vehicle Manual and the Ford Truck Body Builders Layout Book (and pertinent supplements). NOTE 1: Stationary Elevated Idle Control (SEIC) has been integrated into the engine control module. NOTE 2: Engine calibration significantly reduces the possibility of depower mode when in stationary PTO operation. NOTE 3: Operator commanded regen allowed down to 30% of DPF filter full, instead of 100%. NOTE 4: Must meet the definition of an emergency vehicle, an Ambulance or Fire Truck per 40 CFR 86.1803.01 in the federal register. NOTE 5: California Code of Regulations allows for the sale of federally certified emergency vehicles in California.*

*Includes:*

*- 397 Amp Alternators*

*- Operator Commanded Regeneration (OCR)*

525 Steering Wheel-Mounted Cruise Control (LPO)

Requires valid FIN code.

942 Daytime Running Lamps (DRL) (LPO)

Requires valid FIN code.

*The non-controllable 942 Daytime Running Lamps (DRL) replace the standard Daytime Running Lamps (DRL) on/off cluster controllable.*

63G Bright Grille (LPO)

Requires valid FIN code.

17F XL Decor Group (LPO)

*Includes:*

*- Chrome Front Bumper*

E4\_02 Vermillion Red

Requires Valid FIN Code.

### Emissions

425 50-State Emissions System

### Interior Colors

1S\_02 Medium Earth Gray

### Warranty

Bumper to Bumper: 3 years / 36,000 miles

Powertrain: 5 years / 60,000 miles

Corrosion (Perforation only): 5 years / Unlimited miles

Roadside Assistance Program: 5 years / 60,000 miles

Diesel: 5 year / 100,000 miles

### CAB TO AXLE DIMENSION

Cab to axle will be 84".

### CHASSIS MODIFICATIONS

### LUBRICATION AND TIRE DATA PLATE

# Dekalb County Fire & Rescue

## F550 Light Rescue

A permanent label in the driving compartment shall specify the quantity and type of the following fluids used in the vehicle and tire information:

- Engine oil
- Engine coolant
- Chassis transmission fluid
- Pump transmission lubrication fluid . . (if applicable)
- Pump priming system fluid, if applicable . . (if applicable)
- Drive axle(s) lubrication fluid
- Air conditioning refrigerant . . (if applicable)
- Air conditioning lubrication oil . . (if applicable)
- Power steering fluid
- Cab tilt mechanism fluid . . (if applicable)
- Transfer case fluid . . (if applicable)
- Equipment rack fluid (if applicable)
- CAFS air compressor system lubricant . . (if applicable)
- Generator system lubricant . . (if applicable)
- Front tire cold pressure
- Rear tire cold pressure
- Maximum tire speed ratings

### **VEHICLE DATA PLATE**

A permanent label in the driving compartment which indicates the following:

- Filter part numbers for the;
  - Engine
  - Transmission
  - Air
  - Fuel
- Serial numbers for the;
  - Engine
  - Transmission
- Delivered Weights of the Front and Rear Axles
- Paint Brand and Code(s)
- Sales Order Number

### **OVERALL HEIGHT, LENGTH DATA PLATE (US)**

The fire apparatus manufacturer shall permanently affix a high-visibility label in a location visible to the driver while seated.

The label shall show the height of the completed unequipped vehicle in feet and inches (meters), the length of the completed vehicle in feet and inches (meters to nearest 1/10th), and the GVWR in tons (metric tons).

# Dekalb County Fire & Rescue

F550 Light Rescue

Wording on the label shall indicate that; "The information shown was current when the apparatus was manufactured. If the overall height changes while the vehicle is in service, the fire department must revise that dimension on the plate".



# Dekalb County Fire & Rescue

F550 Light Rescue

## **PERSONNEL CAPACITY**

A label that states the number of personnel the vehicle is designed to carry shall be located in an area visible to the driver.

## **SEAT BELT WARNING - FAMA06/07**

A safety sign FAMA06 shall be visible from each seat that is not equipped with occupant restraint and therefore not intended to be occupied while the vehicle is in motion.

A safety sign FAMA07, which warns of the importance of seat belt use, shall be visible from each seat that is intended to be occupied while the vehicle is in motion.

## **EQUIPMENT MOUNTING FAMA10**

A safety sign FAMA10, which warns of the need to secure items in the cab, shall be visible inside the cab.

## **FIRE SERVICE TIRES - FAMA12**

A safety sign FAMA12, which warns of the special requirements for fire service-rated tires, shall be visible to the driver entering the cab of any apparatus so equipped.

## **HELMET WARNING - FAMA15**

A safety sign FAMA15, which warns not to wear helmets while the vehicle is in motion, shall be visible from each seat that is intended to be occupied while the vehicle is in motion.

## **CLIMBING METHOD - FAMA23**

A safety sign FAMA23, which warns of the proper climbing method, shall be visible to personnel entering the cab and at each designated climbing location on the body.

## **REAR STEP CROSSWALK WARNING - FAMA24**

A safety sign FAMA24, which warns personnel not to ride on the vehicle, shall be located at the rear step areas and at any cross walkways.

## **FINAL STAGE MANUFACTURER VEHICLE CERTIFICATION**

A final stage manufacturer vehicle certification label shall be provided and installed in the driver cab door jamb area.

## **OEM FRONT BUMPER REPLACEMENT**

An SVI Extreme Contoured one-piece, fully welded steel construction front bumper shall be bolted in place of the OEM bumper. Two (2) 3/4" steel tow eyes shall be provided on front with 3/4" opening.

Bumper shall have a two-stage finish using epoxy pre-coating and high-grade textured black powder coating for durability and long lasting corrosion resistance.

## **FRONT BUMPER PUSH BAR**

# Dekalb County Fire & Rescue

## F550 Light Rescue

The front bumper shall be provided with a one-piece formed steel push bar welded to bumper.

### **AIR HORNS**

There shall be no air horns provided on the completed vehicle.

### **FRONT MOUNTED WINCH**

The bumper extension shall be equipped with a Warn M12000, 12 volt electric, 12,000 lb. capacity winch.

The control of the winch shall be with a plug-in remote control unit. The unit shall have 12' of control cable, with forward, neutral and reverse dead man type hand control.

The winch shall be equipped with 125' of 3/8" synthetic rope. The cable shall end with a clamped type loop and a drop forged heavy duty hook. The cable shall feed through a full captive type 4-way roller and guide assembly.

### **SIREN SPEAKER**

One (1) Whelen model SA314A 100 watt aluminum, 6.4" x 6.1" x 3.1" deep siren speaker shall be provided and located behind grill or front bumper with natural aluminum finish.

The solid state siren speaker shall be vibration resistant. The SA314A shall comply with California Title XIII, Class A, and SAE J1849 requirements and with OSHA 1910.95 Guidelines regarding "Permissible Noise Exposure". All mounting hardware shall be stainless steel and covered by a two year factory warranty.

The siren speaker shall be located on the streetside of front bumper.

### **AIR INTAKE SYSTEM**

An air filter shall be provided in the engine's air intake system by the body builder. Air inlet restrictions shall not exceed the engine manufacturer's recommendations.

The air inlet shall be equipped with a means of separating water and burning embers from the air intake system.

This requirement shall be permitted to be achieved by either of the following methods:

54. Provision of a device such that burning particulate matter larger than 0.039 in. (1.0 mm) in diameter cannot reach the air filter element.
55. Provision of a multi screen ember separator capable of meeting the test requirements defined in the Parker Hannafin, Racor Division, publication LF 1093-90, *Ember Separation Test Procedure*, or an equivalent test.

### **EXHAUST**

The exhaust system shall be as provided by cab/chassis manufacturer.

### **SEATING MODIFICATION**

The center portion of the 40/20/40 split bench seat shall be removed to accommodate the installation of the specified console.

# Dekalb County Fire & Rescue

## F550 Light Rescue

### **SEAT BELT COLOR AND MOUNTING**

The seat belt webbing color requirement of 14.1.3.3 shall not apply to vehicles with a GVWR of 19,500 lb (8,845 kg) or less.

Section 14.1.3.3 of the NFPA 1901 Standards, requires all seat belt webbing in cab to be bright red or bright orange in color, and the buckle portion of the seat belt shall be mounted on a rigid or semi rigid stalk such that the buckle remains positioned in an accessible location.

### **SEAT BELT WEB LENGTH - COMMERCIAL CAB**

The chassis seat belt web length as supplied by the commercial chassis manufacturer will not be compliant to NFPA Standards 14.1.3.2 and 14.1.3.3.

Sections 14.1.3.2 and 14.1.3.3 of the NFPA 1901 standards, require the effective seat belt web length for a Type 1 lap belt for pelvic restraint to be a minimum of 60", and a Type 2 pelvic and upper torso restraint-style seat belt assembly to be a minimum of 110".

Per Dekalb County Fire & Rescue specification for a commercial chassis, this emergency vehicle may not have seat belts of this required length. These belts may not provide sufficient length for large firefighters in bunker gear. This specification for an emergency fire apparatus for these seat belts shall be non-compliant to NFPA 1901 standards, effective at the time of order.

### **SEAT BELT MONITORING SYSTEM - COMMERCIAL CAB**

Per Dekalb County Fire & Rescue specification for a commercial chassis, this emergency vehicle may not have a seat belt monitoring system. Without this device, the driver must manually determine that all occupants are seated and belted before the apparatus is placed in motion. This specification for an emergency fire apparatus for the seat belt monitoring system shall be non-compliant to NFPA 1901 standards, effective at the time of order.

Section 14.1.3.9 of the NFPA 1901 Standards, requires that a seat belt warning system be provided. The seat belt warning device is intended to assist the driver or officer in determining whether all occupants are seated and belted before the vehicle is driven.

### **IGNITION KEY**

If the vehicle is specified to have an ignition key it will be attached to steering column or dash with vinyl covered steel cable.

### **SIX (6) – LED TIRE PRESSURE VISUAL INDICATORS**

Each tire valve stem shall be equipped with an LED Tire Alert (or equal), heavy duty valve cap LED indicator that indicates proper tire pressure. The LED Tire Alert valve cap is self-calibrating. When the cap is mounted on the valve stem the first time, it will memorize that tire pressure, and can be set to recognize a drop in pressure as little as 6 psi. It can be checked for functionality and battery condition by simply unscrewing the cap. If it is in working condition, it will immediately start blinking.

### **HELMET STORAGE**

# Dekalb County Fire & Rescue

## F550 Light Rescue

No helmet storage is required in the cab driving area. A safety sign FAMA15, which warns not to wear helmets while the vehicle is in motion, shall be visible from each seat that is intended to be occupied while the vehicle is in motion.

### **HELMET STORAGE**

No helmet storage is required in the cab crew area. A safety sign FAMA15, which warns not to wear helmets while the vehicle is in motion, shall be visible from each seat that is intended to be occupied while the vehicle is in motion.

### **CAB MIRRORS, DRIVER ADJUSTABLE**

Section 14.3.5 of the NFPA 1901 Standards, 2009 edition, requires all primary rear view mirrors used by the driver to be adjustable from the driver's position.

### **CAB RUNNING BOARDS**

The chassis shall be provided with running boards each side, below the cab doors. The running boards shall be constructed of aluminum 3003H-14 alloy NFPA nonskid compliant tread plate.

### **STAINLESS STEEL WHEEL SIMULATOR KITS**

Front and rear stainless steel wheel simulator kits shall be provided.

The kits shall include American made RealWheels brand mirror finish, 304L grade, non-corrosive stainless steel Universal wheel simulators meeting D.O.T. certification standards. They shall simulate the look of polished aluminum wheels and come complete with stainless steel hub covers and lug nut covers.

All stainless steel simulators shall carry a lifetime warranty.

### **MUDFLAPS**

There shall be 1/4" rubber mudflaps with logo provided and installed behind each set of tires to prevent throwing road debris and lower road spray.

### **ROAD EMERGENCY SAFETY KIT**

The completed unit shall be supplied with one (1) set of three (3) dual faced reflective triangles, and three (3) warning flares complete with storage case per DOT requirements.

One (1) 2.5 lb. ABC type vehicle fire extinguisher with bracket per DOT requirements shall be provided and mounted inside cab area.

### **STREETSIDE FUEL FILL**

There shall be one (1) fuel fill door located in the streetside exterior wheel well panel, behind the rear axle. The fill door shall be fabricated from brushed stainless steel. There shall be a permanent label with the text "DIESEL FUEL ONLY" located adjacent to the fuel fill access.

### **DEF FLUID FILL**

# Dekalb County Fire & Rescue

## F550 Light Rescue

There shall be one (1) DEF fluid fill door located in the curbside exterior wheel well panel, ahead of the rear axle. The fill door shall be fabricated from brushed stainless steel. There shall be a permanent label with the text "DEF ONLY" located adjacent to the fuel fill access.

### **BODY DESIGN**

The importance of public safety associated with emergency vehicles requires that the construction of this vehicle meet the following specifications. These specifications are written to establish the minimum level of quality and design. All Bidders shall be required to meet these minimum requirements.

It is the intent of these specifications to fully describe the requirements for a custom built emergency type vehicle. In order to extend the expected service life of this vehicle, the body module shall be removable from the chassis frame and be capable of being installed on a new chassis.

The sheet metal material requirements, including alloy and material thickness, throughout the specifications are considered to be a minimum. Since such materials are available to all Manufacturers, the material specifications shall be strictly adhered to.

The fabrication of the body shall be formed sheet metal. Formed components shall allow the Dekalb County Fire & Rescue to have the body repaired locally in the case where any object has struck the body and caused damage. The use of proprietary extrusions will prevent the Dekalb County Fire & Rescue from such repair and shall NOT be used. All fabricated body components to be cut by a laser or water-jet for superior cut edge quality.

Following construction of the subframe, which supports the apparatus body, the sheet metal portion of the body shall be built directly on the subframe. The joining of the subframe and body shall be of a welded integral construction.

The sheet metal fabrication of the body shall be performed using inert gas continuous feed welders only. The entire body shall be welded construction. The use of pop rivets in any portion of structural construction may allow premature failure of the body structure. Therefore, pop rivets shall NOT be used in the construction of the structural portions of the body. This includes side body sheets, inner panels of compartment doors, and any other structural portions of the body.

### **EXTERIOR ALUMINUM BODY**

The fabrication of the body shall be constructed from aluminum 3003H-14 alloy smooth plate. This shall include compartment front panel, vertical side sheets, side upper rollover panels, rear panels and compartment door frames.

The body compartment floors and exterior panels shall be constructed with not less than 3/16" (.187) aluminum 3003H-14 smooth plate. Interior compartment dividing walls shall be constructed with not less than 1/8" (.125) aluminum 3003H-14 smooth plate. Lighter gauge sheet metal will not be acceptable in these areas, No Exceptions.

The front and rear corners of body shall be formed as part of the front or rear body panels. This provides a stronger body corner and finished appearance. The use of extruded corners, or caps will not be acceptable, No Exceptions.

The door side frame openings shall be formed "C" channel design. An electrical wiring conduit raceway running the full length of exterior compartments shall be provided. This raceway shall contain all 12 volt wiring running to the rear of the apparatus, permitting easy accessibility to wiring.

Individual compartment modules, with dead air space voids between compartments, will not be an acceptable method of compartment construction.

# Dekalb County Fire & Rescue

## F550 Light Rescue

The compartments shall be an integral part of the body construction. Compartment floors from front of body to ahead of rear axle, also from rear axle to rear of body shall be single one-piece sections. Compartment floors shall be preformed, then positioned in body and welded into final position.

Compartment floors shall have a "sweep-out" design with door opening threshold positioned lower than compartment floor, permitting easy cleaning of compartments. Angles, lips, or door moldings are not acceptable in the base of compartment door opening. One-way rubber drain valves shall be provided in compartment floors so that a water hose may be used to flush-out compartment area.

All exterior seams in sheet metal below frame, and around the rear wheel well area shall be welded and caulked to prevent moisture from entering the compartments. All other interior seams and corners shall be sealed with silicone based caulk prior to painting.

Only stainless steel bolts, nuts, and sheet metal screws shall be used in mounting exterior trim, hardware and equipment.

### **DRIP RAILS**

The body shall have drip rails over the side full height compartments. The drip rails shall be formed into the upper body panels providing a ridged lower panel and a flat upper body panel surface. The use of mechanically fastened, taped or glued on drip rails will not be acceptable, No Exceptions.

### **ROOF CONSTRUCTION**

The roof structure shall be integral with the body sheet metal construction and shall be an all welded assembly. The body roof structure shall be overlaid with not less than 3/16" aluminum 3003H-14 alloy tread plate and welded to roof structure and body sheet metal. All seams in roof material shall be fully and continuously welded to prevent entry of moisture.

There shall be a total of four (4) 2" x 2" x 1/4" 6061-T6 alloy aluminum "C" channels running the length of body, two (2) on each outboard side. These "C" channels shall be used for roof support and in addition shall be used for mounting of any specified reels. This open "C" channel design along with special reel mounting clips allows for a universal location of any specified reels within each compartment.

In between the two (2) center "C" channels running the length of body shall be 2" x 2" x 1/4" 6061-T6 alloy aluminum tubing running in between and welded in place on approximate 16" centers to support roof and/or walkway structure if specified.

A 2" formed radius shall be provided along the body sides and utilized as a wiring trough. The use of aluminum extrusions in this area shall not be acceptable, .

### **BODY SUBFRAME**

The chassis frame rails shall be fitted with 1/4" custom extruded UHMW polyethylene rail cap to isolate the body frame members from direct contact with chassis frame rails.

The body subframe shall be constructed from 6061T6 aluminum alloy tubing. Subframe shall consist of two (2) 2" x 4" x 1/4" aluminum tubes minimum, the same width as the chassis frame rails. Welded to this tubing shall be cross members of 2" x 4" x 1/4" aluminum. Smaller dimension, lighter gauge tubing or angle material subframe shall not be accepted.

# Dekalb County Fire & Rescue

## F550 Light Rescue

These cross members shall extend the full width of the body to support the compartments. Cross members shall be located at front and rear of the body, below compartment divider walls, and in front and rear of wheel well opening. Additional aluminum cross members shall be located on 16" centers, or as necessary to support walkway or heavy equipment.

To form the frame, the tubing shall be beveled and welded at each joint using 5356 aluminum alloy welding wire.

### **BODY MOUNTING**

For optimum chassis frame and body life, the body subframe shall be fastened to the chassis frame with four (4) 1/2" x 2" strap mounts, welded to the body subframe. The straps shall be bolted to the chassis frame work utilizing 1/2" Grade 8 bolts.

### **10" REAR STEP BUMPER**

The full width rear bumper shall be constructed from 2" x 2" x 1/4" aluminum tubing frame and covered with 3/16" NFPA compliant aluminum tread plate. The bumper shall extend from the rear vertical body panel 10" and provide a rear step with a minimum of 1/2" space at body for water drainage.

### **REAR TOW EYES**

There shall be two (2) heavy duty rear mounted tow eyes securely attached to the body subframe, below body. The tow eyes shall be fabricated from 3/4" thick steel plate with a 3" diameter opening. Tow eyes shall have a black powder coat finish.

### **TRAILER HITCH**

A Class III weight carrying capacity rear hitch receiver shall be provided below the rear bumper. The receiver shall be attached to chassis frame with heavy duty steel frame work with a black hammertone powder coat paint finish.

The hitch shall be complete with a 2" square receiver. Without the use of a "weight distribution" ball hitch the Class III receiver shall have a capacity of 6,000 lbs. gross trailer weight and a maximum tongue weight of 600 lbs.

A label shall be provided in a location in which it is visible to an operator making trailer connections. The label shall state the maximum GVWR and tongue weight of the trailer that can be safely towed with the hitch system.

Two (2) safety chain attachment points shall be provided near the hitch point for hitches designed to use safety chains, each designed with an ultimate strength of not less than the maximum GVWR specified on label.

### **TRAILER ELECTRICAL RECEPTACLE**

For hydraulic brake equipped or electric brake equipped trailer towing capability, a primary electrical receptacle shall be provided near the hitch point and shall match the umbilical cable specified. Receptacle shall be a 7-Way Blade Type socket, the same as used on most Light Duty Trucks and RV's.

### **TRAILER AUXILIARY ELECTRICAL RECEPTACLE**

An auxiliary electrical receptacle shall be provided near the hitch point and shall match the umbilical cable specified for optical warning lights. Receptacle shall be a 7-Way Pin Type Socket, ISO3731 compliant with a reverse ground terminal.

# Dekalb County Fire & Rescue

F550 Light Rescue

## **RECEIVER WITH TRAILER BALL**

No hitch receiver with trailer ball will be provided with completed unit.

## **GROUND LIGHTS**

There shall be two (2) OnScene 8" Access white LED lights installed below bumper capable of providing illumination at a minimum level of 2 fc (20 lx) on ground areas within 30 in. (800 mm) of the edge of the vehicle in areas designed for personnel to climb onto or descend from the vehicle to the ground level.

Lighting shall be switchable but activated automatically when the vehicle park brake is set.

## **WHEEL WELL EXTERIOR PANEL**

The exterior panel of the body wheel well enclosure shall be constructed from 1/8" aluminum smooth plate.

## **DIEFORMED BEADED EDGE BODY FENDERS**

A die formed beaded edge shall be provided along the radius of the wheel well opening for a finished appearance.

## **WHEEL WELL LINERS**

The wheel wells shall be provided with an easily removable polymer, circular inner fender liner. The inner liner shall be bolted to the wheel well with stainless steel bolts and spaced away from the wheel well so the liner will not accumulate dirt or water.

## **SCBA CYLINDER COMPARTMENTS**

Two (2) SCBA cylinder storage compartments shall be provided one (1) on curbside of the body after rear axle, and one (1) streetside forward of the rear axle.

Each compartment shall have a stainless steel hinge with brushed stainless steel door assembly with a positive catch latch. Each compartment shall have a 8" diameter tube behind the wheel well panel attached to the door assembly. Each compartment shall allow the storage of an SCBA cylinder or a fire extinguisher up to 7-3/4" in diameter x 22" deep. The door shall activate the "Hazard Warning Light" in the cab when not in the closed position.

## **BODY PAINT SPECIFICATIONS**

### **BODY PAINT PREPARATION**

After the body and components have been fabricated they shall be disassembled so when vehicle is complete there shall be finish paint beneath the removable components. The body shall be removed from chassis during the paint process to insure proper paint coverage. The body and components shall be metal finished as follows to provide a superior substrate for painting.

The exterior (and interior, if painted) body shall undergo a thorough cleaning process starting with a biodegradable phosphoric acid solution to begin the etching process followed by a complete clear water rinse. The next step shall consist of a chemical conversion coating applied to seal the metal substrate and become part of the metal surface for greater film adhesion.



# Dekalb County Fire & Rescue

## F550 Light Rescue

All bright metal fittings, if unavailable in stainless steel or polished aluminum, shall be chrome plated. Iron fittings shall be copper under plated prior to chrome plating.

### **PAINT PROCESS**

The paint process shall follow the strict standards set forth by PPG Industries guidelines. Painters applying PPG products will be PPG Certified Commercial Technicians, and re-certified every two (2) years. The body shall go through the following paint process;

- 56) Clean bare metal with a wax and grease remover using low lint rags.
- 57) Inspect, straighten, and hammer high points, grind all seams, sharp edges, and welds. DA sand entire paintable surfaces using 24-180 grit dry paper. Plastic fill all low spots and DA sand fill areas using 36-180 grit dry paper. Apply pinhole filler and DA sand areas using 80-180 grit dry paper.
- 58) Re-clean bare metal using a wax and grease remover and low lint rags.
- 59) Within 24 hours, a PPG Delfleet® epoxy color primer with proper hardener for corrosion resistance using a pressure pot spray gun and applying 2-5 full wet coats or 1.5-8.0 dry mils max. achieving full hiding and allow to air dry 60 minutes @ 70°F or bake for 45 minutes @ 140°F degree.
- 60) Inspect, putty fill, and dry guild coat entire body surface and DA sand using 180-400 grit dry paper.
- 61) Re-clean bare metal using a wax and grease remover using low lint rags.
- 62) A PPG Delfleet® primer sealer with proper hardener and thinner shall be sprayed using a pressure pot spray gun and applying 1 full wet coat or 1.0-2.0 dry mils achieving full hiding and allow to flash off in spray booth for minimum of 60 minutes @ 70°F.
- 63) A PPG Delfleet® FBCH basecoat (color) with proper hardener and dry additive shall then be sprayed using a pressure pot set @ 45-60 PSI and achieving full hiding or 1.5-2.0 wet mils and allow to flash off in spray booth 45-60 minutes before applying clearcoat.
- 64) A PPG Delfleet® clearcoat with proper hardener and thinner shall be sprayed using a pressure pot spray gun and applying 2-3 full wet coats or 5.0 wet mils for a uniform gloss and allow to flash off in spray booth 10 minutes and bake for 120-140 minutes @ 125°F (surface temp.).
- 65) After cooling, DA sand heavy orange peel or runs using 1000 grit dry sand paper and final DA sand using 1500-2000 grit dry sand paper. Wipe off all surfaces to remove dust and debris. Buff unit as needed using 3M rubbing compound and a white wool pad and inspect until all sand scratches are removed.
- 66) Polish as needed using 3M Perfect-It-Polish and a black foam pad, repeat as necessary and inspect until all sand scratches are removed.

### **PAINT - ENVIRONMENTAL IMPACT**

The contractor shall meet or exceed their current State regulations concerning paint operations pollution control and shall include measures to protect the atmosphere, water and soil. PPG Delfleet® Evolution paint shall be free of all heavy metal (lead & chromate) components. Paint emissions from sanding and painting shall be filtered and collected. All paint wastes shall be disposed of in an environmentally safe manner. Solvents used in cleanup operations shall be collected, sent off-site for distillation and returned for reuse.

### **FASTENERS**

Prior to the assembly and reinstallation of exterior components; i.e. warning and DOT lights, handrails, steps, door hardware, and miscellaneous items, a Mylar isolation tape, or gasket shall be used to prevent damage to the finish painted surface. These components shall be fastened to body using either a plastic insert into body metal with stainless steel screws or zinc coated nut-surts into body surface using stainless steel bolts to prevent corrosion from dissimilar metals.

### **ELECTROLYSIS CORROSION CONTROL**

# Dekalb County Fire & Rescue

## F550 Light Rescue

The vehicle shall be assembled using ECK brand or similar corrosion control compound on all high corrosion potential areas.

ECK protects aluminum and stainless steel against electrolytic reaction, isolates dissimilar metals and gives bedding protection for hardware and fasteners. ECK contains anti-seizing lubricant for threads. ECK is dielectric and perfect for use with electrical connectors.

### **PAINT FINISH - SINGLE COLOR**

The body shall be painted with a single color of PPG Delfleet® Evolution per Dekalb County Fire & Rescue approved paint spray out provided.

- Paint Color: Match cab/chassis supplied paint color.

### **BODY UNDERCOATING**

The entire underside of body shall be sprayed with black automotive undercoating. Undercoating shall cover all areas underside of body and wheel well area to help prevent corrosion under the vehicle.

### **UNDERCOAT WARRANTY**

The body undercoating shall have a warranty provided by the manufacturer for the lifetime of the vehicle or twenty (20) years, whichever occurs first. The warranty shall be transferable between vehicle owners. Should the undercoating material applied to the underside of the body and wheel wells of the vehicle ever flake off, peel, chip or crack due to drying out, the damaged area shall be re-sprayed without charge to the vehicle owner.

### **PAINT WARRANTY**

The vehicle shall be provided with a ten (10) year non-prorated warranty to the original owner. Warranty is provided by PPG Inc. A warranty sheet with all conditions and maintenance procedures shall be provided with the delivered vehicle. **Pro-rated warranties will not be acceptable.**

### **COMPARTMENT INTERIOR FINISH**

The interior of all exterior body compartments shall be a "Maintenance Free" smooth unpainted finish. All body seams shall be finished with a caulk sealant for both appearance and moisture protection.

### **REFLECTIVE STRIPE REQUIREMENTS**

#### Material

All retroreflective materials shall conform to the requirements of ASTM D4956, *Standard Specification for Retroreflective Sheeting for Traffic Control*, Section 6.1.1 for Type I Sheeting.

All retroreflective materials used that are colors not listed in ASTM D4956, Section 6.1.1, shall have a minimum coefficient of retro-reflection of 10 with observation angle of 0.2 degrees and entrance angle of -4 degrees.

Any printed or processed retroreflective film construction used shall conform to the standards required of an integral colored film as specified in ASTM D4956, Section 6.1.1.

# Dekalb County Fire & Rescue

## F550 Light Rescue

### Minimum Requirements

A retroreflective stripe(s) shall be affixed to at least 50 percent of the cab and body length on each side, excluding the pump panel areas, and at least 25 percent of the width of the front of the vehicle, not including mirrors or other protrusions.

The stripe or combination of stripes shall be a minimum of 4 in. (100 mm) in total width.

The 4 in. (100 mm) wide stripe or combination of stripes shall be permitted to be interrupted by objects (i.e., receptacles, cracks between slats in roll up doors) provided the full stripe is seen as conspicuous when approaching the apparatus.

A graphic design shall be permitted to replace all or part of the required striping material if the design or combination thereof covers at least the same perimeter length(s).

### GRAPHICS PROOF

A color graphics proof of the reflective striping layout shall be provided for approval by Dekalb County Fire & Rescue prior to installation. The graphics proof shall be submitted to Dekalb County Fire & Rescue on 8.5" x 11" sheets with front, sides, rear and plan views, each on one (1) sheet. In addition if there is any special art work an additional sheet shall be provided showing all details. **Note:** The graphics color proof may not reflect the correct paint break lines on the chassis and body please refer to the paint section of your specifications for correct paint break lines.

### REFLECTIVE STRIPE - CAB SIDE

The reflective stripe material shall be 4" wide, 3M Scotchlite 680 series graphic film.

- This reflective stripe shall be white in color.

There shall be a 1" Scotchlite reflective stripe located 1" above and a second 1" Scotchlite reflective stripe located 1" below the main stripe.

- This reflective stripe shall be gold in color.

### REFLECTIVE STRIPE - CAB FRONT

The reflective stripe material shall be 4" wide, 3M Scotchlite 680 series graphic film.

- This reflective stripe shall be white in color.

There shall be a 1" Scotchlite reflective stripe located 1" above and a second 1" Scotchlite reflective stripe located 1" below the main stripe.

- This reflective stripe shall be gold in color.

### REFLECTIVE STRIPE - CAB DOOR INTERIOR

Any door of the apparatus designed to allow persons to enter or exit the apparatus shall have at least 96 in.2 (62,000 mm2) of retroreflective material affixed to the inside of the door.

The stripe material shall be 3M Scotchlite 680 series graphic film.

# Dekalb County Fire & Rescue

## F550 Light Rescue

- This reflective stripe shall be white in color.

### **REFLECTIVE STRIPE - BODY SIDES**

The reflective stripe material shall be 4" wide, 3M Scotchlite 680 series graphic film.

- This reflective stripe shall be white in color.

There shall be a 1" Scotchlite reflective stripe located 1" above and a second 1" Scotchlite reflective stripe located 1" below the main stripe.

- This reflective stripe shall be gold in color.

The stripe shall remain in a straight line from the front of the front of cab to the rear body.

### **CHEVRON REFLECTIVE STRIPE - REAR SIDES PANELS**

At least 50 percent of the rear-facing vertical surfaces, visible from the rear of the apparatus, excluding any pump panel areas not covered by a door, shall be equipped with retroreflective striping in a chevron pattern sloping downward and away from the centerline of the vehicle at an angle of 45 degrees. Each stripe shall be 6" width.

The rear side panels of the body on each side of a rear stairway or compartment shall have a chevron style reflective stripe, extending from bumper height up to side compartment drip rail height. Each chevron panel shall be a full sheet and shall have a 3M UV over laminate to protect from UV rays, scene damage, and everyday use. Chevron panel shall have a minimum 10 year warranty for material failure, and colorfastness.

The stripe material shall be 3M Diamond Grade.

This reflective chevron stripe shall alternate red and fluorescent yellow-green in color.

### **LETTERING**

#### **GRAPHICS PROOF**

A color graphics proof of the lettering layout shall be provided for approval by Dekalb County Fire & Rescue prior to installation. The graphics proof shall be submitted to Dekalb County Fire & Rescue on 8.5" x 11" sheets with front, sides, rear and plan views, each on one (1) sheet. In addition if there is any special art work an additional sheet shall be provided showing all details.

The following lettering shall be provided and installed on the completed unit as follows;

#### **SIDE CAB DOOR LETTERING**

There shall be forty four (44) 3" high SuperGold letters furnished and installed on the vehicle. Lettering shall have a clear 3M UV Protective Over Laminate applied before installation.

Final design and layout shall be determined prior to construction.

# Dekalb County Fire & Rescue

## F550 Light Rescue

There shall be eight (8) 8" high 22K gold letters provided and scrambled on the cab doors. Lettering shall have a clear 3M UV protective overlamine applied before installation.

Final design and layout shall be determined prior to construction.

### **UPPER BODY SIDE LETTERING**

There shall be forty four (44) 4" high SuperGold letters furnished and installed on the vehicle. Lettering shall have a clear 3M UV Protective Over Laminate applied before installation.

Final design and layout shall be determined prior to construction.

### **REAR BODY LETTERING**

There shall be NO lettering applied in this area.

### **FRONT OF CAB LETTERING**

There shall be NO lettering applied in this area.

### **EXTERIOR COMPARTMENT DOORS**

#### **ROLL-UP DOOR CONSTRUCTION - AMDOR**

The apparatus shall be equipped with Amdor brand exterior roll-up compartment doors. Amdor roll-up doors shall be complete with the following features;

- 1" aluminum double wall slats with continuous ball & socket hinge joint and recessed dual durometer slat seal
- Double wall reinforced bottom panel with stainless steel lift bar latching system
- Bottom panel flange with cut-outs for ease of access with gloved hands
- Reusable slat shoes with positive snap-in securement
- Smooth interior door curtain to prevent equipment hang-ups
- One-piece aluminum door track / side frame, top gutter with non-marring seal
- Non-marring recessed side seals with UV stabilizers to prevent warping
- Dual leg bottom seal, with all wear component material to be Type 6 Nylon
- The door shall be warranted for a period of 36 months from the date of delivery. AMDOR Inc. liability covers the replacement or repair of any component that fails due to defects in material and / or workmanship during the coverage period.

Each shutter door shall decrease the compartment door frame opening approximately 2.00" in width and approximately 5.50" in height for the bottom section of door assembly.

The specified retroreflective stripe material shall be applied on the roll-up compartment doors. The stripe shall be precision machine cut for each door slat of the roll-up doors. Under no circumstance will the stripe material be cut on roll-up door surface.

### **BODY WIDTH DIMENSIONS**

The body shall be 96.0" wide, and 98.0" wide at drip rails. Interior compartment depth dimensions shall be approximately:

# Dekalb County Fire & Rescue

## F550 Light Rescue

<u>Area Description</u>	<u>Dimension</u>
Transverse above subframe	91.0"
Compartment depth below subframe	21.0"

### **STREETSIDE COMPARTMENT - FRONT (S1)**

The interior useable compartment width shall be approximately 56.5" wide.

The compartment door opening shall be approximately 49.2" wide.

This compartment shall have an Amdor roll-up door.

- The roll-up door slats and the door track components shall be painted to match the single tone exterior color.
- The door shall be equipped with a CPI harsh environment mechanical type door ajar switch located inside compartment interior door track to activate compartment lighting and door ajar signal in cab when door is opened.
- There shall be NO keyed lock on this roll-up compartment door.
- One (1) aluminum drip pan/door guard shall be provided below door roll area. Drip pan/door guard shall have thumb nuts making it easily removable without tools with a maintenance-free, un-painted finish. A plastic drain line shall be provided on each end of the drip pan to lower door threshold.
- Compartment threshold protection shall be provided on the bottom edge of the compartment door sill. The threshold protection shall be an extruded aluminum shape with an un-painted anodized finish.

### **COMPARTMENT LAYOUT**

- There shall be vertically mounted aluminum Shelf-Trac welded to compartment walls for specified component installation. Shelf-Trac extrusion shall have side extruded channels for use in mounting or securing special ancillary items, without need for drilling into body.
- There shall be one (1) OnScene Solutions 83 series aluminum tray base with 70% extension, and rating of 1,000 lbs. Slide-out tray(s) base shall be full width (street/curb) and as wide as the compartment layout or door opening permits, capable of extending out either side of the body located above the level of the chassis frame rails and shall be vertically adjustable in height. Each slide shall have a cable operated, spring loaded latch complimented by a large hand opening and red pull handle (Pull to Release) which will lock the tray in the closed, 40% extended and 70% extended positions. Each tray top shall be fabricated from 3/16" 3003 aluminum sheet and shall have welded corners to form a box type tray surface with an internal depth of approximately 3 ½".
  - The above component(s) shall have a smooth un-painted finish.
- There shall be one (1) OnScene Solutions 84 series slide-out, drop-down style aluminum tray base with 90% extension, and rating of 150 lbs. Slide-out tray(s) base shall be approximately 46" deep and as wide as the compartment layout or door opening permits. It shall be located above the level of the chassis frame rails and shall be vertically adjustable in height. Each slide shall have a cable operated, spring loaded latch complimented by a large hand opening and red pull handle (Pull to Release) which will hold the tray in the closed position. Each tray shall be fabricated from 3/16" 3003 aluminum sheet and have welded corners to form a box type tray surface with an internal depth of approximately 3 ½".

# Dekalb County Fire & Rescue

## F550 Light Rescue

- The above component(s) shall have a smooth un-painted finish.
- The floor of the compartment above the frame rails shall be extended to the interior edge of the door. The floor shall have a 2" vertical lip and a 1" return to increase strength.
- Two (2) OnScene Access white LED, full height compartment lights, vertically mounted.
- The 12 volt electrical distribution panel shall be located in the front lower compartment.

### **STREETSIDE COMPARTMENT - ABOVE REAR WHEELS (S2)**

The interior useable compartment width shall be approximately 45.0" wide.

The compartment door opening shall be approximately 38.0" wide.

This compartment shall have an Amdor roll-up door.

- The roll-up door slats and the door track components shall be painted to match the single tone exterior color.
- The door shall be equipped with a CPI harsh environment mechanical type door ajar switch located inside compartment interior door track to activate compartment lighting and door ajar signal in cab when door is opened.
- There shall be NO keyed lock on this roll-up compartment door.
- One (1) aluminum drip pan/door guard shall be provided below door roll area. Drip pan/door guard shall have thumb nuts making it easily removable without tools with a maintenance-free, un-painted finish. A plastic drain line shall be provided on each end of the drip pan to lower door threshold.
- Compartment threshold protection shall be provided on the bottom edge of the compartment door sill. The threshold protection shall be an extruded aluminum shape with an un-painted anodized finish.

### **COMPARTMENT LAYOUT**

- There shall be vertically mounted aluminum Shelf-Trac welded to compartment walls for specified component installation. Shelf-Trac extrusion shall have side extruded channels for use in mounting or securing special ancillary items, without need for drilling into body.
- There shall be one (1) OnScene Solutions 84 series slide-out, drop-down style aluminum tray base with 90% extension, and rating of 250 lbs. Slide-out tray(s) base shall be approximately 47" deep and as wide as the compartment layout or door opening permits. It shall be located above the level of the chassis frame rails and shall be vertically adjustable in height. Each slide shall have a cable operated, spring loaded latch complimented by a large hand opening and red pull handle (Pull to Release) which will hold the tray in the closed position. Each tray shall be fabricated from 3/16" 3003 aluminum sheet and have welded corners to form a box type tray surface with an internal depth of approximately 3 ½".
  - The above component(s) shall have a smooth un-painted finish.
- Two (2) OnScene Access white LED, full height compartment lights, vertically mounted.

# Dekalb County Fire & Rescue

## F550 Light Rescue

### **STREETSIDE COMPARTMENT - REAR (S3)**

The interior useable compartment width shall be approximately 35.0" wide.

The compartment door opening shall be approximately 28.2" wide.

This compartment shall have an Amdor roll-up door.

- The roll-up door slats and the door track components shall be painted to match the single tone exterior color.
- The door shall be equipped with a CPI harsh environment mechanical type door ajar switch located inside compartment interior door track to activate compartment lighting and door ajar signal in cab when door is opened.
- There shall be NO keyed lock on this roll-up compartment door.
- One (1) aluminum drip pan/door guard shall be provided below door roll area. Drip pan/door guard shall have thumb nuts making it easily removable without tools with a maintenance-free, un-painted finish. A plastic drain line shall be provided on each end of the drip pan to lower door threshold.
- Compartment threshold protection shall be provided on the bottom edge of the compartment door sill. The threshold protection shall be an extruded aluminum shape with an un-painted anodized finish.

### **COMPARTMENT LAYOUT**

- There shall be vertically mounted aluminum Shelf-Trac welded to compartment walls for specified component installation. Shelf-Trac extrusion shall have side extruded channels for use in mounting or securing special ancillary items, without need for drilling into body.
- There shall be one (1) adjustable shelf/shelves approximately 20" deep. Each shelf shall be fabricated from 3/16" 3003 aluminum sheet with a 2" vertical flange along the front and rear edge.
  - The above component(s) shall have a smooth un-painted finish.
- There shall be one (1) OnScene Solutions 84 series slide-out, drop-down style aluminum tray base with 90% extension, and rating of 250 lbs. Slide-out tray(s) base shall be approximately 20" deep and as wide as the compartment layout or door opening permits. It shall be located above the level of the chassis frame rails and shall be vertically adjustable in height. Each slide shall have a cable operated, spring loaded latch complimented by a large hand opening and red pull handle (Pull to Release) which will hold the tray in the closed position. Each tray shall be fabricated from 3/16" 3003 aluminum sheet and have welded corners to form a box type tray surface with an internal depth of approximately 3 1/2".
  - The above component(s) shall have a smooth un-painted finish.
- The floor of the compartment above the frame rails shall be extended to the interior edge of the door. The floor shall have a 2" vertical lip and a 1" return to increase strength.
- Two (2) OnScene Access LED, full height compartment lights, vertically mounted.
- Two (2) 3-1/2" x 3-1/2" black plastic louvered vents shall be provided in the lower compartment.



# Dekalb County Fire & Rescue

## F550 Light Rescue

### **CURBSIDE COMPARTMENT - FRONT (C1)**

The interior useable compartment width shall be approximately 56.5" wide.

The compartment door opening shall be approximately 49.2" wide.

This compartment shall have an Amdor roll-up door.

- The roll-up door slats and the door track components shall be painted to match the single tone exterior color.
- The door shall be equipped with a CPI harsh environment mechanical type door ajar switch located inside compartment interior door track to activate compartment lighting and door ajar signal in cab when door is opened.
- There shall be NO keyed lock on this roll-up compartment door.
- One (1) aluminum drip pan/door guard shall be provided below door roll area. Drip pan/door guard shall have thumb nuts making it easily removable without tools with a maintenance-free, un-painted finish. A plastic drain line shall be provided on each end of the drip pan to lower door threshold.
- Compartment threshold protection shall be provided on the bottom edge of the compartment door sill. The threshold protection shall be an extruded aluminum shape with an un-painted anodized finish.

### **COMPARTMENT LAYOUT**

- There shall be vertically mounted aluminum Shelf-Trac welded to compartment walls for specified component installation. Shelf-Trac extrusion shall have side extruded channels for use in mounting or securing special ancillary items, without need for drilling into body.
- There shall be one (1) OnScene Solutions 83 series aluminum tray base with 70% extension, and rating of 1,000 lbs. Slide-out tray(s) base shall be approximately 94" deep and as wide as the compartment layout or door opening permits, capable of extending out either side of the body located above the level of the chassis frame rails and shall be vertically adjustable in height. (Specified in opposite side compartment.)
- There shall be one (1) OnScene Solutions 84 series slide-out, drop-down style aluminum tray base with 90% extension, and rating of 150 lbs. Slide-out tray(s) base shall be approximately 46" deep and as wide as the compartment layout or door opening permits. It shall be located above the level of the chassis frame rails and shall be vertically adjustable in height. Each slide shall have a cable operated, spring loaded latch complimented by a large hand opening and red pull handle (Pull to Release) which will hold the tray in the closed position. Each tray shall be fabricated from 3/16" 3003 aluminum sheet and have welded corners to form a box type tray surface with an internal depth of approximately 3 1/2".
  - The above component(s) shall have a smooth un-painted finish.
- The floor of the compartment above the frame rails shall be extended to the interior edge of the door. The floor shall have a 2" vertical lip and a 1" return to increase strength.
- Two (2) OnScene Access white LED, full height compartment lights, vertically mounted.

### **CURBSIDE COMPARTMENT - ABOVE REAR WHEEL (C2)**

# Dekalb County Fire & Rescue

## F550 Light Rescue

The interior useable compartment width shall be approximately 45.0" wide.

The compartment door opening shall be approximately 38.0" wide.

This compartment shall have an Amdor roll-up door.

- The roll-up door slats and the door track components shall be painted to match the single tone exterior color.
- The door shall be equipped with a CPI harsh environment mechanical type door ajar switch located inside compartment interior door track to activate compartment lighting and door ajar signal in cab when door is opened.
- There shall be NO keyed lock on this roll-up compartment door.
- One (1) aluminum drip pan/door guard shall be provided below door roll area. Drip pan/door guard shall have thumb nuts making it easily removable without tools with a maintenance-free, un-painted finish. A plastic drain line shall be provided on each end of the drip pan to lower door threshold.
- Compartment threshold protection shall be provided on the bottom edge of the compartment door sill. The threshold protection shall be an extruded aluminum shape with an un-painted anodized finish.

### **COMPARTMENT LAYOUT**

- There shall be vertically mounted aluminum Shelf-Trac welded to compartment walls for specified component installation. Shelf-Trac extrusion shall have side extruded channels for use in mounting or securing special ancillary items, without need for drilling into body.
- There shall be one (1) OnScene Solutions 84 series slide-out, drop-down style aluminum tray base with 90% extension, and rating of 250 lbs. Slide-out tray(s) base shall be approximately 47" deep and as wide as the compartment layout or door opening permits. It shall be located above the level of the chassis frame rails and shall be vertically adjustable in height. Each slide shall have a cable operated, spring loaded latch complimented by a large hand opening and red pull handle (Pull to Release) which will hold the tray in the closed position. Each tray shall be fabricated from 3/16" 3003 aluminum sheet and have welded corners to form a box type tray surface with an internal depth of approximately 3 1/2".
  - The above component(s) shall have a smooth un-painted finish.
- Two (2) OnScene Access white LED, full height compartment lights, vertically mounted.

### **CURBSIDE COMPARTMENT - REAR (C3)**

The interior useable compartment width shall be approximately 35.0" wide.

The compartment door opening shall be approximately 28.2" wide.

This compartment shall have an Amdor roll-up door.

- The roll-up door slats and the door track components shall be painted to match the single tone exterior color.
- The door shall be equipped with a CPI harsh environment mechanical type door ajar switch located inside compartment interior door track to activate compartment lighting and door ajar signal in cab when door is opened.

# Dekalb County Fire & Rescue

## F550 Light Rescue

- There shall be NO keyed lock on this roll-up compartment door.
- One (1) aluminum drip pan/door guard shall be provided below door roll area. Drip pan/door guard shall have thumb nuts making it easily removable without tools with a maintenance-free, un-painted finish. A plastic drain line shall be provided on each end of the drip pan to lower door threshold.
- Compartment threshold protection shall be provided on the bottom edge of the compartment door sill. The threshold protection shall be an extruded aluminum shape with an un-painted anodized finish.

### **COMPARTMENT LAYOUT**

- There shall be vertically mounted aluminum Shelf-Trac welded to compartment walls for specified component installation. Shelf-Trac extrusion shall have side extruded channels for use in mounting or securing special ancillary items, without need for drilling into body.
- There shall be one (1) adjustable shelf/shelves approximately 20" deep. Each shelf shall be fabricated from 3/16" 3003 aluminum sheet with a 2" vertical flange along the front and rear edge.
  - The above component(s) shall have a smooth un-painted finish.
- There shall be one (1) OnScene Solutions 84 series slide-out, drop-down style aluminum tray base with 90% extension, and rating of 250 lbs. Slide-out tray(s) base shall be approximately 20" deep and as wide as the compartment layout or door opening permits. It shall be located above the level of the chassis frame rails and shall be vertically adjustable in height. Each slide shall have a cable operated, spring loaded latch complimented by a large hand opening and red pull handle (Pull to Release) which will hold the tray in the closed position. Each tray shall be fabricated from 3/16" 3003 aluminum sheet and have welded corners to form a box type tray surface with an internal depth of approximately 3 ½".
  - The above component(s) shall have a smooth un-painted finish.
- The floor of the compartment above the frame rails shall be extended to the interior edge of the door. The floor shall have a 2" vertical lip and a 1" return to increase strength.
- Two (2) OnScene Access LED, full height compartment lights, vertically mounted.
- Two (2) 3-1/2" x 3-1/2" black plastic louvered vents shall be provided in the lower compartment.

### **REAR COMPARTMENT - CENTER (RC1)**

The rear center compartment shall be closed to both side rear compartments.

The rear center compartment shall start at the top of the body sub-frame and be as high as the side compartments, unless specified otherwise.

The interior useable compartment width shall be approximately 41.5" wide.

The compartment door opening shall be approximately 34.2" wide.

This compartment shall have an Amdor roll-up door.

# Dekalb County Fire & Rescue

## F550 Light Rescue

- The roll-up door slats and the door track components shall be painted to match the single tone exterior color.
- The door shall be equipped with a CPI harsh environment mechanical type door ajar switch located inside compartment interior door track to activate compartment lighting and door ajar signal in cab when door is opened.
- There shall be NO keyed lock on this roll-up compartment door.
- One (1) aluminum drip pan/door guard shall be provided below door roll area. Drip pan/door guard shall have thumb nuts making it easily removable without tools with a maintenance-free, un-painted finish. A plastic drain line shall be provided on each end of the drip pan to lower door threshold.
- Compartment threshold protection shall be provided on the bottom edge of the compartment door sill. The threshold protection shall be an extruded aluminum shape with an un-painted anodized finish.

### **COMPARTMENT LAYOUT**

- There shall be vertically mounted aluminum Shelf-Trac welded to compartment walls for specified component installation. Shelf-Trac extrusion shall have side extruded channels for use in mounting or securing special ancillary items, without need for drilling into body.
- There shall be one (1) OnScene Solutions 81 series aluminum tray base with 100% extension, and rating of 1,000 lbs. Slide-out tray(s) base shall be approximately 34" deep and as wide as the compartment layout or door opening permits located above the level of the chassis frame rails. Each slide base shall have a cable operated, spring loaded latch complimented by a large hand opening and red pull handle (Pull to Release) which will lock the tray in the closed and full extension positions. Each tray shall be fabricated from 3/16" 3003 aluminum sheet and shall have welded corners to form a box type tray surface with an internal depth of approximately 3 1/2".
  - The above component(s) shall have a smooth un-painted finish.
- Two (2) OnScene Access white LED, full height compartment lights, vertically mounted.

### **LOWER SIDE BODY PROTECTION - RUB RAIL**

OnScene Solutions rub rails shall be provided below the compartment door openings on both the streetside and curbside.

The rub rail shall be fabricated from 6063 extruded aluminum, measuring approximately 2-3/4" high x 1-3/8" thick with tapered aluminum end caps. The rub rail shall be bolted to the body using stainless steel bolts and 1-1/2" diameter x 5/8" thick rubber mount isolators to prevent damage to the body.

The rails shall incorporate LED clearance marker lighting recessed into the rail fascia to avoid damage to the light in case of impact. The rub rail shall have an accessory mounting track integrated into the backside of the rail to allow mounting of accessories such as ground lighting.

### **FRONT GRAVEL GUARDS**

Gravel guards shall be provided on front lower body corners. Guards shall be 12" high, extend from behind cab or step and wrap around to the front compartment door opening fabricated from 20 gauge brushed stainless steel.

# Dekalb County Fire & Rescue

F550 Light Rescue

## LOW VOLTAGE ELECTRICAL SYSTEM- 12 VDC

### General

Any low voltage electrical systems or warning devices installed on the fire apparatus shall be appropriate for the mounting location and intended electrical load.

Where wire passes through sheet metal, grommets shall be used to protect wire and wire looms. Electrical connections shall be with double crimp water-tight heat shrink connectors.

All 12 VDC wiring running from front to back of vehicle body shall be run in full length electrical wiring raceway down each side of body.

### Wiring

All electrical circuit feeder wiring supplied and installed by the fire apparatus manufacturer shall meet the requirements of NFPA Chapter 13.

The circuit feeder wire shall be stranded copper or copper alloy conductors of a gauge rated to carry 125 % of the maximum current for which the circuit is protected. Voltage drops in all wiring from the power source to the using device shall not exceed 10 %. The use of star washers for circuit ground connections shall not be permitted.

All circuits shall otherwise be wired in conformance with SAE J1292, *Automobile, Truck, Truck-Tractor, Trailer, and Motor Coach Wiring*.

### Wiring and Wire Harness Construction

All insulated wire and cable shall conform to SAE J1127, *Low Voltage Battery Cable*, or SAE J1128, *Low Voltage Primary Cable*, type SXL, GXL, or TXL.

All conductors shall be constructed in accordance with SAE J1127 or SAE J1128, except where good engineering practice dictates special strand construction. Conductor materials and stranding, other than copper, shall be permitted if all applicable requirements for physical, electrical, and environmental conditions are met as dictated by the end application. Physical and dimensional values of conductor insulation shall be in conformance with the requirements of SAE J1127 or SAE J1128, except where good engineering practice dictates special conductor insulation. The overall covering of conductors shall be moisture-resistant loom or braid that has a minimum continuous rating of 194°F (90°C) except where good engineering practice dictates special consideration for loom installations exposed to higher temperatures. The overall covering of jacketed cables shall be moisture resistant and have a minimum continuous temperature rating of 194°F (90°C), except where good engineering practice dictates special consideration for cable installations exposed to higher temperatures.

All wiring connections and terminations shall use a method that provides a positive mechanical and electrical connection. The wiring connections and terminations shall be installed in accordance with the device manufacturer's instructions. All ungrounded electrical terminals shall have protective covers or be in enclosures. Wire nut, insulation displacement, and insulation piercing connections shall not be used.

Wiring shall be restrained to prevent damage caused by chafing or ice buildup and protected against heat, liquid contaminants, or other environmental factors.

Wiring shall be uniquely identified at least every 2 ft (0.6 m) by color coding or permanent marking with a circuit function code. The identification shall reference a wiring diagram.

# Dekalb County Fire & Rescue

## F550 Light Rescue

Circuits shall be provided with properly rated low voltage over-current protective devices. Such devices shall be readily accessible and protected against heat in excess of the over-current device's design range, mechanical damage, and water spray. Circuit protection shall be accomplished by utilizing fuses, circuit breakers, fusible links, or solid state equivalent devices.

If a mechanical-type device is used, it shall conform to one of the following SAE standards:

- 67) SAE J156, *Fusible Links*
- 68) SAE J553, *Circuit Breakers*
- 69) SAE J554, *Electric Fuses (Cartridge Type)*
- 70) SAE J1888, *High Current Time Lag Electric Fuses*
- 71) SAE J2077, *Miniature Blade Type Electrical Fuses*

Switches, relays, terminals, and connectors shall have a direct current (dc) rating of 125 % of maximum current for which the circuit is protected.

### Power Supply

A 12 V or greater electrical alternator shall be provided. The alternator shall have a minimum output at idle to meet the minimum continuous electrical load of the vehicle, at 200°F (93°C) ambient temperature within the engine compartment, and shall be provided with full automatic regulation.

### Minimum Continuous Electrical Load

The minimum continuous electrical load shall consist of the total amperage required to simultaneously operate the following in a stationary mode during emergency operations:

- 1) The propulsion engine and transmission
- 2) All legally required clearance and marker lights, headlights, and other electrical devices except windshield wipers and four-way hazard flashers
- 3) The radio(s) at a duty cycle of 10 percent transmit and 90 % receive (for calculation and testing purposes, a default value of 5 A continuous)
- 4) The lighting necessary to produce 2 fc (20 lx) of illumination on all walking surfaces on the apparatus and on the ground at all egress points onto and off the apparatus, 5 fc (50 lx) of illumination on all control and instrument panels, and 50 percent of the total compartment lighting loads
- 5) The minimum optical warning system, where the apparatus is blocking the right-of way
- 6) The continuous electrical current required to simultaneously operate any fire pumps, aerial devices, and hydraulic pumps
- 7) Other warning devices and electrical loads defined by the purchaser as critical to the mission of the apparatus

If the apparatus is equipped to tow a trailer, an additional 45 A shall be added to the minimum continuous electrical load to provide electrical power for the federally required clearance and marker lighting and the optical warning devices mounted on the trailer.

The condition of the low voltage electrical system shall be monitored by a warning system that provides both an audible and a visual signal to persons on, in, or near the apparatus of an impending electrical system failure caused by the excessive discharge of the battery set.

The charge status of the battery shall be determined either by direct measurement of the battery charge or indirectly by monitoring the electrical system voltage.

# Dekalb County Fire & Rescue

## F550 Light Rescue

If electrical system voltage is monitored, the alarm shall sound if the system voltage at the battery or at the master load disconnect switch drops below 11.8 V for 12 V nominal systems, 23.6 V for 24 V nominal systems, or 35.4 V for 42 V nominal systems for more than 120 seconds.

A voltmeter shall be mounted on the driver's instrument panel to allow direct observation of the system voltage.

### Electromagnetic Interference

Electromagnetic interference suppression shall be provided, as required, to satisfy the radiation limits specified in SAE J551/1, *Performance Levels and Methods of Measurement of Electromagnetic Compatibility of Vehicles, Boats (up to 15 m), and Machines (16.6 Hz to 18 GHz)*.

### Wiring Diagram

A complete electrical wiring schematic of actual system shall be provided with finished apparatus. Similar or generic type electrical schematics shall NOT BE ACCEPTABLE.

### Low Voltage Electrical System Performance Test

A low voltage electrical system test certification shall be provided with delivered apparatus.

## **12 VOLT MULTIPLEX CONTROL CENTER**

The apparatus shall be equipped with a Weldon V-MUX multiplexed 12 volt electrical system that will provide complete diagnostic capability, No Exception. The system shall have the capability of delivering multiple signals via a CAN bus, utilizing specifications set forth by SAE J1939. The system shall be node based to maximize stability so that failure of one node does not affect the operation of the other nodes. The system shall use shielded twisted-pair wire for transmission of system function signals. The shielded wire shall provide protection against EMI and RFI noise interruptions.

The multiplex system shall be responsible for providing power management functions as well as load shedding. The warning light system shall be controlled by the multiplex system. The system shall be capable of displaying text and/or graphic messages on a display module. The system shall be based on solid-state technology and shall include self-contained diagnostic indicators.

### **Outputs:**

The outputs shall perform all the following items without added modules to perform any of the tasks;

1. **Load Shedding:** The system shall have the capability to load shed with 8 levels any output. This means you can specify which outputs (barring NFPA restrictions) you would like load shed. Level 1 12.9v, Level 2 12.5V, Level 3 - 12.1V, Level 4 - 11.7V, Level 5 11.3V, Level 6 10.9V, Level 7 10.5, Level 8 10.1. Unlike conventional load shedding devices you can assign a level to any or all outputs.
2. **Load Sequencing:** The system shall be able to sequence from 0 8 levels any output. With 0 being no delay and 1 being a 1 second delay, 2 being a 2 second delay and so on. Sequencing reduces the amount of voltage spikes and drops on your vehicle, and can help limit damage to your charging system.
3. **Output Device:** The system shall have solid-state output devices. Each solid-state output shall be a MOS-FET (Metal Oxide Semiconductor - Field Effect Transistors); MOS-FETs are solid-state devices with no moving parts to wear out. A typical relay when loaded to spec has a life of 100,000 cycles. The life of a FET is more than *100 times* that of a relay.

# Dekalb County Fire & Rescue

## F550 Light Rescue

4. Flashing Outputs: The system shall be able to flash any output in either A or B phase, and logic is used to shut down needed outputs in park, or any one of several combined interlocks. The flash rate can be selected at either 80, 160 or 200 FPM. This means any light can be specified with a multiplex truck with no need to add flashers. Flashing outputs can also be used to warn of problems or other unique idea you may come up with.
5. PWM: The modules shall have the ability to PWM at some outputs so that a headlight PWM module is not needed.
6. Diagnostics: An output should be able to detect either a short or open circuit. The system should be able report in "real time" a text based message that points the maintenance person to a specific output.

### **Inputs:**

1. The inputs shall have the ability to switch by a ground or vbatt signal.
2. The inputs shall be filtered for noise suppression via hardware and software so that RF or dirty power will not trick an input into changing its status.

### **Auto-Throttle:**

The multiplex system shall be able to perform automatic high idle via a network gateway or by using an existing output on a module to provide the proper signals to an OEM Engine ECU. This task should be handled with existing inputs and outputs.



# Dekalb County Fire & Rescue

## F550 Light Rescue

### Displays:

Displays shall be able to provide real time information regarding load shedding and system status, such as network traffic/errors or shorts and open circuits.

### System Network:

The multiplex system shall contain a Peer-to-Peer network. A Master Slave Type network is not suitable for this type of unit. A Peer-to-Peer network means that all the modules are equal on the network; a Master is not needed to tell other nodes when to talk, **No Exceptions.**

### System Reliability:

The multiplex system shall be able to perform in extreme temperature conditions, from 40° to +85° C (-40° to +185° F.) The system shall be sealed against the environment, moisture, humidity, salt or fluids such as diesel fuel, motor oil or brake fluid. The enclosures shall be rugged to withstand being mounted in various locations or compartments around the vehicle. The modules shall be protected from over voltage and reverse polarity.

### WELDON CERTIFICATION

A letter shall be provided with bid submittal that the Contractor has successfully completed the Weldon training requirements for Level 1 of the V-MUX Certified Supplier Program and is authorized to design, build, and service V-MUX electrical systems.

### MULTIPLEX SYSTEM INTERFACE DISPLAY

One (1) Weldon V-MUX Vista IV multiplex system interface display(s) with push-button control shall be provided in cab easily accessible to driver and/or passenger. The full-color Vista interface display allows the user to control warning and scene lighting, HVAC controls (when specified), and view on-board diagnostics including service information. This display has a wide operating temperature range, automatic screen switching in response to current conditions, and a sleep mode option to eliminate night glare. The following features shall be included;

- 800 x 480 resolution
- Four video ports
- Flash updates with USB memory stick
- Display inside and outside temperature (when specified)
- Automatic climate control (when specified)
- 100% Configurable (OEM Level)
- Field re-programmable
- Peer to peer network
- On-board diagnostics / service information
- Colors change to indicate button status
- Video Ready for: Backup camera, Thermal camera, DVD, GPS...

The multiplex display shall be located in the cab center console for control of all master and emergency lights.

### CAB CONSOLE

A center cab console shall be provided between the Driver's and Officer's seats. Console shall be as large as possible and fabricated of 1/8" smooth aluminum. A textured powder coat paint finish shall be provided for durability and finished appearance.

# Dekalb County Fire & Rescue

## F550 Light Rescue

The rear portion of the console shall be provided with open top storage for notebooks or maps. Two (2) adjustable dividers shall be provided in the storage area. The forward portion of console shall be slanted for easy viewing of the specified multiplex display screen, and any siren or radio equipment and within easy access to both Driver and Officer. Two (2) cup holders shall be provided in console.

The following options shall be provided in specified center console;

- There shall be one (1) 120 VAC, 20 amp, duplex straight-blade receptacle (NEMA 5-20R) outlet(s) provided in specified console.
  - Outlet(s) shall be powered through the on-board shore power system.

### **ELECTRONIC SIREN**

One (1) Whelen model 295SLSA1 electronic siren control with selectable 100 or 200 watt output, hands-free operation, user selectable siren tones, park kill, and standard hard wired microphone shall be provided and installed in cab within easy reach of Driver. Siren power shall be wired through the master warning light switch.

- There shall be one (1) communications radio and/or siren 3" recess mount(s) with black powdercoat paint finish in specified console.

The specified siren functions shall be controlled by siren mounted switches.

### **BATTERY SYSTEM**

The battery connectors shall be heavy duty type with cables terminating in heat shrink loom. Heavy duty battery cables shall provide maximum power to the electrical system. Where required, the cables shall be shielded from exhaust tubing and the muffler. Large rubber grommets shall be provided where cables enter the battery compartment.

Batteries shall be of the high-cycle type. With the engine off, the battery system shall be able to provide the minimum continuous electrical load for 10 minutes without discharging more than 50 percent of the reserve capacity and then to restart the engine. The battery system cold cranking amps (CCA) rating shall meet or exceed the minimum CCA recommendations of the engine manufacturer. The batteries shall be mounted to prevent movement during fire apparatus operation and shall be protected against accumulations of road spray, snow, and road debris. The batteries shall be readily accessible for examination, testing, and maintenance.

A means shall be provided for jump-starting the engine if the batteries are not accessible without lifting the cab of a tilt-cab apparatus.

Where an enclosed battery compartment is provided, it shall be ventilated to the exterior to prevent the buildup of heat and explosive fumes. The batteries shall be protected against vibration and temperatures that exceed the battery manufacturer's recommendation.

An onboard battery conditioner or charger or a polarized inlet shall be provided for charging all batteries. Where an onboard conditioner or charger is supplied, the associated line voltage electrical power system shall be installed in accordance with Chapter 22.

One of the following master disconnect switches shall be provided:

- 8) A master body disconnect switch that disconnects all electrical loads not provided by the chassis manufacturer

# Dekalb County Fire & Rescue

## F550 Light Rescue

9) A master load disconnect switch that disconnects all electrical loads on the apparatus except the starter

Electronic control systems and similar devices shall be permitted to be otherwise connected if so specified by their manufacturer.

The alternator shall be wired directly to the batteries through the ammeter shunt(s), if one is provided, and not through the master load disconnect switch.

A green "battery disconnect on" indicator light that is visible from the driver's position shall be provided.

Rechargeable hand lights, radios, and other similar devices shall be permitted to be connected to the electrical system ahead of the master disconnect switch.

A sequential switching device shall be permitted to energize the optical warning devices and other high current devices required in minimum continuous electrical load, provided the switching device shall first energize the electrical devices required in minimum continuous electrical load within 5 seconds.

### **BATTERY SWITCH**

The chassis ignition key shall activate a heavy duty relay to provide 12 volt battery power to the vehicle. There shall be a green "BATTERY ON" pilot light that is visible from the driver's position.

### **BATTERY SOLENOID**

Battery switch shall consist of a minimum 200 ampere, constant duty solenoid to feed from positive side of battery.

### **BATTERY CONDITIONER**

One (1) Blue Sea model P12 battery charger with 120 VAC input, and 25 amp 12 VDC output shall be provided. The P12 is a four stage, three output, dry mount charger designed for use in harsh environments where reliability, ease of use, and high performance are of primary importance. Backed by a 5-year warranty.

### **Five Critical Features Extend Battery Life**

- User Defined Charge Profiles for setting voltages to match the battery manufacturer's recommendations
- User Defined Absorption Stage Values determine when the charger should exit Absorption Stage in order to prevent overcharging
- Charge Coordination™ integrates with Blue Sea Systems' Automatic Charging Relays to separate battery banks while the P12 is operational
- PreFloat™ Stage prevents over charging by individually moving batteries out of Absorption Stage
- Battery Temperature Compensation adjusts charging voltage up (for colder batteries) or down (for warmer batteries) as recommended by battery manufacturers for proper battery performance

### **Additional Features**

- Rugged finned aluminum case dissipates heat
- Universal line voltage 90–265V AC, 45–65 Hz for worldwide use
- Large bright full graphic control screen with user interface
- Plain-language text in English, French, Italian, German and Spanish
- Intuitive screens provide fault alerts and plain language diagnostics

### **BATTERY CHARGE INDICATOR**

# Dekalb County Fire & Rescue

## F550 Light Rescue

A Blue Sea EV battery charger display shall be provided and located near driver's door area. It can display a graphical representation of voltage with or without connection to a P12 battery charger. When connected to a P12 battery charger it can display the charger's summary screen, displaying voltage, current charging stage, and faults from the charger with other features as follows;

- Drop in replacement for traditional rectangular displays
- Automatically detects 1-3 battery banks
- AC charge indication verifies that power is connected and the battery charger is charging
- Plain language fault indication relays if there is a fault with the battery charger
- Dip switch selectable screen configuration allows the display to show voltage bar graphs or the P12 Battery Charger summary screen
- Displays voltage bar graphs even when AC power is not present
- Optional standby mode shuts off screen after 4 hours of inactivity
- Automatic ON based on motion with integrated knock sensor
- Bright, daylight readable, OLED display

### **SHORE POWER INLET**

One (1) Blue Sea Sure Eject model 7851, 120 VAC, 20 amp shore power inlet(s) shall be provided. The shore power connection shall automatically disengage from vehicle when chassis ignition is engaged. A matching keyed plug shall be shipped loose with completed vehicle.

The protective ground from the shoreline inlet shall be bonded to the vehicle frame.

- The outlet cover shall be yellow.
- The shore power inlet shall be located on the streetside front of body, outboard of the cab.

### **ENGINE COMPARTMENT LIGHT**

Engine compartment light(s) shall be supplied and installed by the cab chassis manufacturer.

### **CAB HAZARD WARNING LIGHT**

A Truck-Lite red LED flashing light shall be provided and located in the driving compartment and be illuminated automatically whenever the vehicles parking brake is not fully engaged and any of the following conditions exist:

- Any passenger or equipment compartment door is not closed.
- Any ladder or equipment rack is not in the stowed position.
- Stabilizer system is not in its stowed position.
- Powered light tower is not stowed.
- Any other device permanently attached to the apparatus is open, extended, or deployed in a manner that is likely to cause damage to the apparatus if the apparatus is moved.

Compartments and equipment meeting all of the following conditions shall be permitted to be exempt from being wired to the hazard light:

- The volume is less than or equal to 4 ft<sup>3</sup> (0.1 m<sup>3</sup>).
- The compartment has an opening less than or equal to 144 in.<sup>2</sup> (92,900 mm<sup>2</sup>).
- The open door does not extend sideways beyond the mirrors or up above the top of the fire apparatus.

# Dekalb County Fire & Rescue

## F550 Light Rescue

- All equipment in the compartment is restrained so that nothing can fall out if the door is open while the apparatus is moving.
- Manually raised pole lights with an extension of less than 5 ft (1.5 m).

The hazard light shall be labeled; "Do not move apparatus when light is on."

In addition, label shall be in both English/French for units built for Canada; "*Ne pas déplacer l'engin lorsque la lumière est allumée.*"

An audible alarm shall be provided for the door ajar light.

### **BACK-UP ALARM**

The body manufacturer shall furnish and install one (1) 107 dB(A) electronic back-up alarm. Back-up alarm to actuate automatically when the transmission gear selector is placed in reverse.

### **TAIL LIGHTS**

Rear body tail lights shall be vertically mounted and located per Federal Motor Vehicle Safety Standards, FMVSS and Canadian Motor Vehicle Safety Standards CMVSS. The following lights shall be furnished;

- Two (2) Whelen M6 Series M6BTT red LED stop/tail/turn lights
- Two (2) Whelen M6 Series M6BUW clear LED back-up lights with clear lens

Each light shall have a chrome flange.

### **MARKER LIGHTS**

The body shall be equipped with all necessary clearance lights and reflectors in accordance with Federal Motor Vehicle Safety Standards (FMVSS) and Canadian Motor Vehicle Safety Standards (CMVSS) regulations. All body clearance lights shall be Truck-Lite Mini LED to reduce the need for maintenance and lower the amp draw. Clearance lights shall be wired to the headlight circuit of the chassis.

### **CAB STEP LIGHTS / GROUND LIGHTS**

There shall be two (2) OnScene 8" Access white LED light(s) installed on the vehicle capable of providing illumination at a minimum level of 2 fc (20 lx) on ground areas within 30 in. (800 mm) of the edge of the vehicle in areas designed for personnel to climb onto or descend from the vehicle to the ground level.

Lighting designed to provide illumination on areas under the driver and crew riding area exits shall be switchable but activated automatically when the exit doors are opened.

### **LICENSE PLATE LIGHT**

One (1) Arrow #437 chrome plated LED license plate light shall be installed on the rear of the body. License plate light shall be wired to the headlight circuit of chassis. A fastener system shall be provided for license plate installation.

### **SIDE LED SCENE LIGHTS**

# Dekalb County Fire & Rescue

## F550 Light Rescue

There shall be four (4) Whelen M9 Series Model M9LZC , 9" x 7" surface mounted Scene Light(s) provided on the upper Body. Light quantity shall be divided equally per side. The M9LZC configuration shall consist of 24 clear Super-LEDs and a clear gradient optic polycarbonate lens with chrome flange. The M9LZC series light shall have 6,500 useable lumens each. The scene light is covered by a five year factory warranty.

Two (2) switches shall be provided, one (1) for the streetside scene lights, and one (1) for the curbside scene lights.

The lights shall be controlled at the multiplex display(s) in the cab.

### **REAR LED SCENE LIGHTS**

Two (2) Whelen M9 Series Model M9LZC , 9" x 7" surface mounted scene light(s) shall be provided on the upper rear body to light the work area. The M9LZC configuration shall consist of 24 clear Super-LEDs and a clear gradient optic polycarbonate lens with chrome flange. The M9LZC series light shall have 6,500 useable lumens each. The scene light is covered by a five year factory warranty

The above scene lights shall light to a level of at least 3 fc (30 lx), measured at 25 equally spaced points on a 2.5 ft (750 mm) grid with in a 10 ft x 10 ft (3 m x 3m) square to the rear of vehicle.

The lights shall be controlled at the multiplex display(s) in the cab.

The rear scene lights shall also be activated when the apparatus is in reverse.

### **WARNING LIGHT PACKAGE**

Each apparatus shall have a system of optical warning devices that meets or exceeds the requirements of this section.

The optical warning system shall consist of an upper and a lower warning level. The requirements for each level shall be met by the warning devices in that particular level without consideration of the warning devices in the other level.

For the purposes of defining and measuring the required optical performance, the upper and lower warning levels shall be divided into four (4) warning zones. The four zones shall be determined by lines drawn through the geometric center of the apparatus at 45 degrees to a line drawn lengthwise through the geometric center of the apparatus. The four (4) zones shall be designated A, B, C, and D in a clockwise direction, with zone A to the front of the apparatus.

Each optical warning device shall be installed on the apparatus and connected to the apparatus's electrical system in accordance with the requirements of this standard and the requirements of the manufacturer of the device.

A master optical warning system switch that energizes all the optical warning devices shall be provided.

The optical warning system on the fire apparatus shall be capable of two (2) separate signaling modes during emergency operations. One (1) mode shall signal to drivers and pedestrians that the apparatus is responding to an emergency and is calling for the right-of-way. One (1) mode shall signal that the apparatus is stopped and is blocking the right-of-way. The use of some or all of the same warning lights shall be permitted for both modes provided the other requirements of this chapter are met.

A switching system shall be provided that senses the position of the parking brake or the park position of an automatic transmission. When the master optical warning system switch is closed and the parking brake is released or the automatic transmission is not in park, the warning devices signaling the call for the right-of-way shall be energized. When the master optical warning system switch is closed and the parking brake is on or the automatic transmission is in park,

# Dekalb County Fire & Rescue

## F550 Light Rescue

the warning devices signaling the blockage of the right-of-way shall be energized. The system shall be permitted to have a method of modifying the two (2) signaling modes.

The optical warning devices shall be constructed or arranged so as to avoid the projection of light, either directly or through mirrors, into any driving or crew compartment(s). The front optical warning devices shall be placed so as to maintain the maximum possible separation from the headlights.

Steadily burning, non flashing optical sources shall be permitted to be used.

### **UPPER LEVEL OPTICAL WARNING DEVICES**

The upper-level optical warning devices shall be mounted as high and as close to the corner points of the apparatus as is practical to define the clearance lines of the apparatus. The upper-level optical warning devices shall not be mounted above the maximum height, specified by the device manufacturer.

### **ZONE A - FRONT WARNING LIGHTS**

There shall be one (1) Whelen Freedom F4N0VLED LED 60" lightbar permanently mounted to the cab roof.

The lightbar configuration (streetside to curbside) shall be:

<u>SECTION</u>	<u>INTERNAL COMPONENTS</u>	<u>LENS COLOR</u>
1	Red Rear Corner LED	Clear
2	Red Front Corner LED	Clear
3	Blank	Clear
4	White Long Super-LED	Clear
5	Blank	Clear
6	Red Long Super-LED	Clear
7	Blank (Opticom if specified)	Clear
8	Blank (Opticom if specified)	Clear
9	Red Long Super-LED	Clear
10	Blank	Clear
11	White Long Super-LED	Clear
12	Blank	Clear
13	Red Front Corner LED	Clear
14	Red Rear Corner LED	Clear

All clear lights shall shut down when the parking brake is set to comply with "Blocking" mode requirements as outlined in NFPA 1901.

The lightbar(s) shall be separately controlled at multiplex display(s) in the cab.

# Dekalb County Fire & Rescue

## F550 Light Rescue

### ZONES B AND D - SIDE WARNING LIGHTS

#### UPPER REAR CORNER WARNING LIGHTS

There shall be two (2) Whelen M9 SurfaceMax, linear super-LED Light(s) with full-fill optic provided, one (1) each side. The light head shall include an integral flasher with programmable flash patterns and Hi/Lo intensities. Component shall be covered by a five year Whelen factory warranty.

Each Light shall have:

- Red LEDs
- Red Lens

Each light shall have a chrome flange.

- Flash Pattern shall be (factory default) Action Scan.

The lights shall be controlled at the multiplex display(s) in the cab.

#### UPPER FORWARD CORNER WARNING LIGHTS

There shall be two (2) Whelen M9 SurfaceMax, linear super-LED Light(s) with full-fill optic provided, one (1) each side. The light head shall include an integral flasher with programmable flash patterns and Hi/Lo intensities. Component shall be covered by a five year Whelen factory warranty.

Each Light shall have:

- Red LEDs
- Red Lens

Each light shall have a chrome flange.

- Flash Pattern shall be (factory default) Action Scan.

The lights shall be controlled at the multiplex display(s) in the cab.

#### ZONE C - REAR WARNING LIGHTS

There shall be one (1) Whelen M9 SurfaceMax, linear super-LED Light(s) with full-fill optic provided. The light head shall include an integral flasher with programmable flash patterns and Hi/Lo intensities. Component shall be covered by a five year Whelen factory warranty.

Each Light shall have:

- Red LEDs
- Clear Lens

Each light shall have a chrome flange.

- Flash Pattern shall be (factory default) Action Scan.

The lights shall be controlled at the multiplex display(s) in the cab.



# Dekalb County Fire & Rescue

## F550 Light Rescue

### LOWER LEVEL OPTICAL WARNING DEVICES

To define the clearance lines of the apparatus, the optical center of the lower-level optical warning devices in the front of the vehicle shall be mounted on or forward of the front axle centerline and as close to the front corner points of the apparatus as is practical.

The optical center of the lower-level optical warning devices at the rear of the vehicle shall be mounted on or behind the rear axle centerline and as close to the rear corners of the apparatus as is practical. The optical center of any lower-level device shall be between 18 in. and 62 in. (460 mm and 1600 mm) above level ground for large apparatus, and 18 in. and 48 in. (460 mm and 1600 mm) above level ground.

A midship optical warning device shall be mounted right and the left sides of the apparatus if the distance between the front and rear lower-level optical devices exceeds 25 ft (7.6 m) at the optical center. Additional midship optical warning devices shall be required, where necessary, to maintain a horizontal distance between the centers of adjacent lower-level optical warning devices of 25 ft (7.6 m) or less. The optical center of any midship mounted optical warning device shall be between 18 in. and 62 in. (460 mm and 1600 mm) above level ground.

### ZONE A - FRONT WARNING LIGHTS

There shall be two (2) Whelen surface mount ION Series LED light(s) with wide angle optic provided, one (1) each side. The light head shall include an integral flasher with programmable flash patterns. Component shall be covered by a five year Whelen factory warranty.

Each light shall have:

- Red LEDs
- Clear Lens
- Chrome Flange

The lights shall be controlled at the multiplex display(s) in the cab.

### ZONES B AND D - CAB INTERSECTOR LIGHT (CAB FRONT CORNERS)

There shall be two (2) Whelen surface mount ION Series LED light(s) with wide angle optic provided, one (1) each side. The light head shall include an integral flasher with programmable flash patterns. Component shall be covered by a five year Whelen factory warranty.

Each light shall have:

- Red LEDs
- Clear Lens
- Chrome Flange

The lights shall be controlled at the multiplex display(s) in the cab.

### ZONES B AND D - BODY LIGHT (BODY WHEELWELL AREA)

There shall be two (2) Whelen surface mount ION Series LED light(s) with wide angle optic provided, one (1) each side. The light head shall include an integral flasher with programmable flash patterns. Component shall be covered by a five year Whelen factory warranty.

Each light shall have:

- Red LEDs

# Dekalb County Fire & Rescue

## F550 Light Rescue

- Clear Lens
- Chrome Flange

The lights shall be controlled at the multiplex display(s) in the cab.

### ZONES B AND D - BODY INTERSECTOR LIGHT (BODY REAR CORNERS)

There shall be two (2) Whelen M6 SurfaceMax, linear super-LED Light(s) with full-fill optic provided, one (1) each side. The light head shall include an integral flasher with programmable flash patterns and Hi/Lo intensities. Component shall be covered by a five year Whelen factory warranty.

Each Light shall have:

- Red LEDs
- Red Lens

Each light shall have a chrome flange.

- Flash Pattern shall be (factory default) Action Scan.

The lights shall be controlled at the multiplex display(s) in the cab.

### ZONE C - REAR WARNING LIGHTS (LOWER REAR CORNERS)

There shall be two (2) Whelen M6 SurfaceMax, linear super-LED Light(s) with full-fill optic provided, one (1) each side. The light head shall include an integral flasher with programmable flash patterns and Hi/Lo intensities. Component shall be covered by a five year Whelen factory warranty.

Each Light shall have:

- Red LEDs
- Red Lens

Each light shall have a chrome flange.

- Flash Pattern shall be (factory default) Action Scan.

The lights shall be controlled at the multiplex display(s) in the cab.

### EQUIPMENT PAYLOAD WEIGHT ALLOWANCE

In compliance with NFPA 1901 standards, the special service vehicle shall be designed for an equipment loading allowance of 2,500 lbs. of Dekalb County Fire & Rescue provided equipment based on a 15,001 - 20,000 pound gross vehicle weight rating.

### EQUIPMENT

The following equipment shall be furnished with the completed special service vehicle;

- One (1) container of assorted stainless steel nuts, bolts, screws and washers used in the construction of the apparatus shall be provided with the completed apparatus.

# Dekalb County Fire & Rescue

## F550 Light Rescue

- There shall be two (2) Zico AC-32, NFPA approved aluminum wheel chocks provided for 32" diameter tires that together will hold the vehicle when loaded to its GVWR or GCWR, on a hard surface with a 20% grade, with the transmission in neutral, and the parking brake released.
  - The wheel chock(s) shall be mounted on the apparatus, location determined at Final Inspection.
- Two (2) Streamlight Fire Vulcan C4 LED flashlight(s) with shoulder strap shall be provided with 80,000 candela and 3 hour run time. Each flashlight shall be orange in color and have a 12 volt DC charger and vehicle mount kit. Each flashlight shall have an LED spotlight style bulbs and reflectors. The flashlight(s) shall be wired to battery direct unless otherwise specified by Dekalb County Fire & Rescue.
  - The flashlight(s) shall be mounted on the completed unit in the lower area of compartment S1.

### **REMAINING NFPA MINOR EQUIPMENT BY PURCHASER**

All other minor equipment not specified above, but required by NFPA 1901 for special service vehicles, section 10.9.3 shall be supplied and mounted by Dekalb County Fire & Rescue before the unit is placed in emergency service.