



Attn: Dekalb County

, I truly appreciate the opportunity to Partner with you and earn your truck business. The below price and attached specs are quoted and bid from the current Sourcewell Cooperative Purchasing contract that the Kenworth Truck Company and PacMac currently have in place as of 7/11/19.

**2020 Model Kenworth K270 26,000GVW**

Price Incudes

2020 Kenworth K270 Chassis Please see attached specs	\$75,741.00
PacMac 10yd Rearload Body Please see attached specs	\$56,930.00
5 Year Unlimited Allison Transmission Extended Warranty	\$928.00
5 Year 150,000 Mile Cummins Engine Extended Warranty	\$950.00
5 Year 150,000 Mile Cummins Aftertreatment Extended Warranty	\$550.00
5 Year 100,000 Mile Paccar Basic Extended Warranty	No Charge
See Attached Document for Coverage Description	
<b>TOTAL PURCHASE PRICE</b>	<b><u>\$135,099.00</u></b>

Option

5 Year 200,00 Mile Paccar Basic Extended Warranty	\$980.00
---	----------



**CONTRACT NUMBER 081716-KTC**

**Support** – Coverage across the State of Georgia:

- Baxley** – Open Mon-Fri 8am-5pm
- Mableton** – Open 24/7 Mon – Sunday  
- Including mobile maintenance trucks available 24/7/365
- Gainesville** – Open 8 – 6 Mon – Sat
- McDonough** – Open 8 – 10pm Mon – Fri, 8 – 4pm Sat,
- Conyers** – Open 8 – 6pm Mon-Sat
- Savannah**- Open 8-8pm Mon-Fri 8-4:30pm Sat

Sincerely,

Byron Franklin New Truck Sales – Atlanta GA

6/11/2020



**MHC Kenworth  
Atlanta**

5860 Riverview Rd.  
Mableton, Georgia 30126  
A Division of Georgia Kenworth, Inc.

404.691.9999  
404.691.0057 fax

www.mhctruck.com





MHC KENWORTH - ATLANTA (G190)  
 5860 RIVERVIEW ROAD  
 MABLETON, Georgia 30126

DEKALB COUNTY  
 1300 COMMERCE DR  
 DECATUR, Georgia 30030  
 United States of America

Byron Franklin  
 Cell Phone: 706-847-0480  
 Office Phone: 404-691-9999  
 Email: byron.franklin@mhc.com

Chequetta ALLEN

## Vehicle Summary

	<b>Unit</b>		<b>Chassis</b>	
Model:	K3 Series Medium Duty COE	Fr Axle Load (lbs):		10000
Type:	FULL TRUCK	Rr Axle Load (lbs):		16000
Description 1:	10 Yd Rear Load	G.C.W. (lbs):		26000
Description 2:	K270 26K GVW			
	<b>Application</b>	Road Conditions:		
Intended Serv.:	Local pickup & delivery: Vehicles which	Class A (Highway)		90
Commodity:	Refuse/recycled material.	Class B (Hwy/Mtn)		10
	<b>Body</b>	Class C (Off-Hwy)		0
Type:	Refuse loader/packer	Class D (Off-Road)		0
Length (ft):	16	Maximum Grade:		6
Height (ft):	12	Wheelbase (in):		146
Max Laden Weight (lbs):	3000	Overhang (in):		72
		Fr Axle to BOC (in):		11
	<b>Trailer</b>	Cab to Axle (in):		135
No. of Trailer Axles:	0	Cab to EOF (in):		207
Type:		Overall Comb. Length (in):		270.2
Length (ft):	0			
Height (ft):	0	<b>Special Req.</b>		
Kingpin Inset (in):	0	U.S. Domestic registry, 50-state.		
Corner Radius (in):	0			
	<b>Restrictions</b>			
Length (ft):	75			
Width (in):	102			
Height (ft):	13.5			

Approved by: \_\_\_\_\_

Date: \_\_\_\_\_

Note: All sales are F.O.B. designated plant of manufacture.



Sales Code	Std/Opt	Description	Weight
<b>Model</b>			
0000301	S	<b>K3 Series Medium Duty COE</b>	<b>9,850</b>
0070016	O	<b>K270 Class 6 Medium Duty COE</b>	<b>0</b>
0070529	O	<b>LFNA, EURO 6, LHD, HI-HP, US REGISTRY</b>	<b>0</b>
0080050	O	<b>CARB Idle Emissions Reduction Feature for PX-7 and PX-9</b>	<b>0</b>
0090011	O	<b>Class 6 4x2 automatic.</b>	<b>0</b>
<b>Engine &amp; Equipment</b>			
0120221	S	<b>PACCAR PX-7 220 2017 220@2400 215@2600 520@1600</b> Includes turbo exhaust brake, no code is used. Diagnostic Plug for data link, Oil Cooler, Aluminum Flywheel Housing. N09260 P14 70....Max Vehicle Speed in Top Gea N09440 P11 NO....Engine Protection Shtdwn N09460 P06 YES...Gear Down Protection N09300 P19 70....Max Cruise Control Speed N09720 P230 YES...Enable Hot Ambient Automatic N09500 P02 YES...Cruise Control Auto Resume N09520 P04 NO....Auto Engine Brake in Cruise N09480 P26 1400..Max PTO Speed N09580 P32 5.....Idle Shtdwn Time N09680 P33 NO....Idle Shtdwn Override N09560 P520 YES...Enable Idle Shutdown Park Br N09600 P233 YES...Enable Impending Shutdown Wa N09780 P47 80....High Ambient Temperature Thr N09740 P46 40....Low Ambient Temperature Thre N09200 N205 120...Standard Maximum Speed Limit N09620 P234 60....Timer For Impending Shutdown N09360 N203 252...Reserve Speed Function Reset N09640 P516 35....Engine Load Threshold N09400 N206 10....Maximum Active Distance (N20 N09420 N201 0.....Reserve Speed Limit Offset ( N09760 P56 60....Intermediate Ambient Tempera N09380 N202 0.....Maximum Cycle Distance (N202 N09220 N207 0.....Expiration Distance (N207) N09540 N209 0.....Expiration Distance (N209)	<b>0</b>
1000151	S	<b>PremierSpec</b>	<b>0</b>
1002060	S	<b>Air compressor: Cummins 18.7 CFM For Cummins And PACCAR PX engines.</b>	<b>0</b>
1030300	S	<b>Air cleaner - Fender Mtd RH BOC</b>	<b>0</b>
1096055	S	<b>Air Intake: High</b>	<b>0</b>
1121171	S	<b>Cooling Module</b>	<b>0</b>

Price Level: January 1, 2020

Deal: 10 Yd Rear Load

Printed On: 6/11/2020 10:30:49 AM

Date: May 06, 2020

Quote Number: QUO-425451-G4Q3W8



Sales Code	Std/Opt	Description	Weight
1247137	S	<b>Exhaust: 2017 EPA Horizontal Under Rail</b> DPF/SCR for PX-7 w/ Horizontal Tailpipe Below RH Rail, BOC.	0
1321109	S	<b>Fuel Filter:PACCAR Standard Service Interval</b> Fuel/Water Separator. 2017 and Later Emissions	0
1321200	S	<b>Run Aid:None</b> *For Fuel Filter	0
1321300	S	<b>Start Aid:None</b> *For Fuel Filter	0
1504041	O	<b>Immersion Type Pre-Heater 110-120V</b>	0
1816161	S	<b>Alternator: Bosch 160 amp, brush type</b> only.	0
1821225	S	<b>Batteries: 2 PACCAR GP31 threaded post (1000)</b> 2000 CCA starting.	0
1832052	S	<b>Starter: Delco 12V 29MT</b>	0
1840051	S	<b>Battery Disconnect Switch: 1 Battery box locking</b>	0
<b>Transmission &amp; Clutch</b>			
2011232	O	<b>Transmission: Allison 3500RDS 6-speed</b> w/PTO drive gear. 5th Gen Controls. Limited to 860 lb.-ft. Includes heat exchanger & oil level sensor. Rugged Duty Series for vocational applications. Transynd transmission fluid is standard on all Allison 1000, 2000, 3000 & 4000 series transmissions.	0
2406419	S	<b>Driveline: 2 Dana SPL100 1 centerbearing</b> light duty.	0
2410018	S	<b>Torque converter included w/Allison</b> Transmission.	0
2410204	O	<b>Delete Allison Fuel Sense</b>	0
2410311	O	<b>Decline Allison Neutral at Stop Stand-Alone</b>	0
<b>Front Axle &amp; Equipment</b>			
2501010	S	<b>Dana Spicer E-1002IL Front Axle rated 10K</b> 3-1/2in. drop. Use w/ air brakes only.	0
2603006	S	<b>Front brakes included w/ front hub package.</b>	0
2703043	S	<b>12,000 lb. Air brake package; drum brakes,</b> iron 10-bolt hub piloted hubs.	0
2883012	S	<b>12,000 lb. front spring suspension with shock</b> absorbers	0
2899031	S	<b>12,000 lb. capacity single power steering gear</b>	0
<b>Rear Axle &amp; Equipment</b>			
3011030	O	<b>Single Dana Spicer P22060S single reduction16K</b> rear axle for T300 w/ air brakes. Single rear axle 22K capacity rated at 16K.	0

Price Level: January 1, 2020

Deal: 10 Yd Rear Load

Printed On: 6/11/2020 10:30:49 AM

Date: May 06, 2020

Quote Number: QUO-425451-G4Q3W8





Sales Code	Std/Opt	Description	Weight
3200529	S	Rear Axle Ratio - 5.29.	0
3300000	S	Single rear brakes included w/rear hub package.	0
3403720	S	21,000 lb. Air Brake Package includes 16.5x7 in. brakes, cast drums, iron 10-Bolt hub pilot hubs, slack adjusters & oil seals for use with 22.5 wheels.	0
3480001	S	Spring brakes	0
3495202	O	Wabco Electronic Brake System (EBS) w/anti-lock system. 4S/4M *Front Wheel+2 GRP Rear Wheel. K270/K370 only. With Antilock Traction Control.	0
3531000	O	Wheel Differential Lock for Dana Spicer Axle P22060S; changes S to D to the axle part number.	15
3636421	S	Rear suspension: single Reyco 79KB taperleaf 21K. Medium-duty. Unladen Height: 9 in. Laden Height: 7.5 in. Not rear air disc brake compatible.	0
<b>Tires &amp; Wheels</b>			
4079058	S	Front tires: Bridgestone R268 Ecopia 11R22.5 14PR. 41.5 in. diameter, all position. F-side wall protector bar. 19.3 in. SLR. For P&D & construction vocations. Smartway certified.	0
4277545	O	Rear Tires: Bridgestone M713 Ecopia 11R22.5 14PR. Code is priced per pair of tires.	0
4900004	O	Rear Tire Quantity: 4	0
5042289	S	Front Wheel: Accuride 51487 22.5x8.25 steel Steel Armor[TM] powder coat, hub-pilot mount. 7400lb. maximum rating. 5-hand hole. Air disc brake compatible.	0
5242389	S	Rear Wheel: Accuride 51487 22.5x8.25 steel Steel Armor[TM] powder coat, hub-pilot mount. 7400lb. maximum rating. 5-hand hole. Air disc brake compatible. Code is priced per pair of wheels.	0
5853906	O	Powder coat white steel wheel. Use in conjunction with front, dual front, rear, spare or lift axle wheel code(s). All wheels on chassis must have same finish color.	0
5900004	O	Rear Wheel/Rim Quantity: 4	0
<b>Frame &amp; Equipment</b>			
6010175	S	Frame Rail: 10-1/4 x 1/4 in. steel to 414 in. The results of the engineering review may result in a change to the requested frame rail. If a change is required Kenworth Application Engineering will advise the dealer of the appropriate material specification for a substitute rail.	0
6090146	O	146 inch wheelbase.	0
6301210	S	Bumper: Steel painted gray.	0
6319522	S	52.2 inch Bumper Setting. Requires bumper code.	0

Price Level: January 1, 2020

Deal: 10 Yd Rear Load

Printed On: 6/11/2020 10:30:49 AM

Date: May 06, 2020

Quote Number: QUO-425451-G4Q3W8



Sales Code	Std/Opt	Description	Weight
6401512	S	<b>Steel space saver battery box, right hand back</b> of cab. With aluminum cover.	0
6409902	S	<b>Battery box location: RH Side.</b>	0
6742020	S	<b>Square End-of-Frame without crossmember.</b>	0
<b>Fuel Tanks &amp; Equip</b>			
7134045	S	<b>Fuel Tank: 45 US gallon rectangular steel</b> BOC replace.	0
7722008	S	<b>Rectangular DEF tank. 7.5 gallons of</b> usable volume. The tank will be located just forward of the under cab component on the side you specified. Standard capacity is calculated by fuel capacity of the vehicle and will accommodate two diesel fill-ups for every DEF fill-up. For 1:1 DEF fuel fill ratio, add 7889204.	0
7889604	S	<b>DEF tank location is LH.</b>	0
7940045	S	<b>Location: 45 gal fuel tank LH behind cab.</b>	0
<b>Cab &amp; Equipment</b>			
8009305	S	<b>Steel Cab: Non-sleeper, 63.4in BBC, Left hand</b> drive. COE with the following: Daycab rear window with tinted safety glass throughout, Electric windshield wipers with intermittent feature, Electric-Powered LH & RH window lifts with switch located on door pad, Heated driving mirrors LH and RH with convex mirror over RH door, High level grey interior trim, Rubber floor mats, Combo fresh air heater and air conditioner, Smartwheel - 18 in. black four-spoke soft touch steering wheel with adjustable tilt steering column, Electric horn, 12V Cigar lighter with ash tray, Driver and Passenger seats, Console mounted push button transmission controls and backwall storage. Includes WABCO EBS.	0
8110801	S	<b>Heater And Air Conditioner</b>	0
8205123	O	<b>Switch &amp; Wiring for Customer-Installed PTO.</b> Electric over hydraulic PTO. Includes switch guard. Wiring is routed to LH frame for connection to the customer installed PTO. No air controls are provided with this code.	0
8240621	S	<b>Dual Scale Speedometer MPH Over KPH</b> Includes: Speedometer with clock and outside air temperature display, Water Temperature Gauge, Fuel Level Gauge, Dual Air Pressure Gauges, DEF Level Gauge, and Visual & Audible System Warnings	0
8323301	S	<b>Interior: Gray</b>	0
8412081	S	<b>Drivers Seat: Sears C2 Air, High Back Fabric</b>	0
8468092	S	<b>Rd Seat: Two man bench, Fabric</b> Not for use with center console w/storage and 2 cup holders	0
8601421	S	<b>Kenworth Radio with AM/FM/WB/USB and Bluetooth</b>	0
8867303	S	<b>Dual Heated and Motorized Mirrors. Includes 2</b> convex mirrors and 1 downward looking mirror on passenger side.	0

Price Level: January 1, 2020

Deal: 10 Yd Rear Load

Printed On: 6/11/2020 10:30:49 AM

Date: May 06, 2020

Quote Number: QUO-425451-G4Q3W8



Sales Code	Std/Opt	Description	Weight
8871438	O	Rear Cab Stationary Window 17 in. x 36 in.	0
<b>Lights &amp; Instruments</b>			
9010801	S	Headlamps: Halogen Projector Low Beam, Halogen Complex Reflector High Beam	0
9039011	O	Turn Signal	0
9048003	S	External Lights – Fog / Driving Lights	0
9070138	S	Combination Stop, Tail, Turn & Backup Lights RH & LH.	0
9090000	S	Daytime Running Lamps.	0
9090126	O	Electric Backup Alarm: Meets SAE J994 & OSHA requirements.	0
9090319	O	Body Builder Harness 34ft, Shipped Loose.	0
<b>Air Equipment</b>			
9100018	S	Air Dryer: WABCO SS1200 Plus without Multi Port PPV	0
<b>Extended Warranty</b>			
9200007	O	Base Warranty - PACCAR PX-7 Engine 36 months / Unlimited miles & km / Unlimited hours.	0
9200022	S	Base Warranty - Standard Service Medium Duty 12 months / Unlimited miles & km	0
9202808	O	EW: US Basic Vehicle 5 year/100,000 miles, United States only.	0
<b>Miscellaneous</b>			
9400073	O	Ship to Specific Address.	0
<b>Promotions</b>			
<b>Paint</b>			
9700000	O	Paint color number(s).  N9702 A - M8870 ICE WHITE DAF (RV 00389) N9720 FRAME N0001 BLACK	0
9700432	S	K270/K370 Paint Color M8870 Ice White	0
9944820	S	1 - Color Paint - Day Cab Color will be White if no other color is specified.	0



Sales Code	Std/ Opt	Description	Weight
------------	-------------	-------------	--------

**Order Comments**





Total Weight

9,799

## Prices and Specifications Subject to Change Without Notice.

---

Unpublished options may require review/approval.

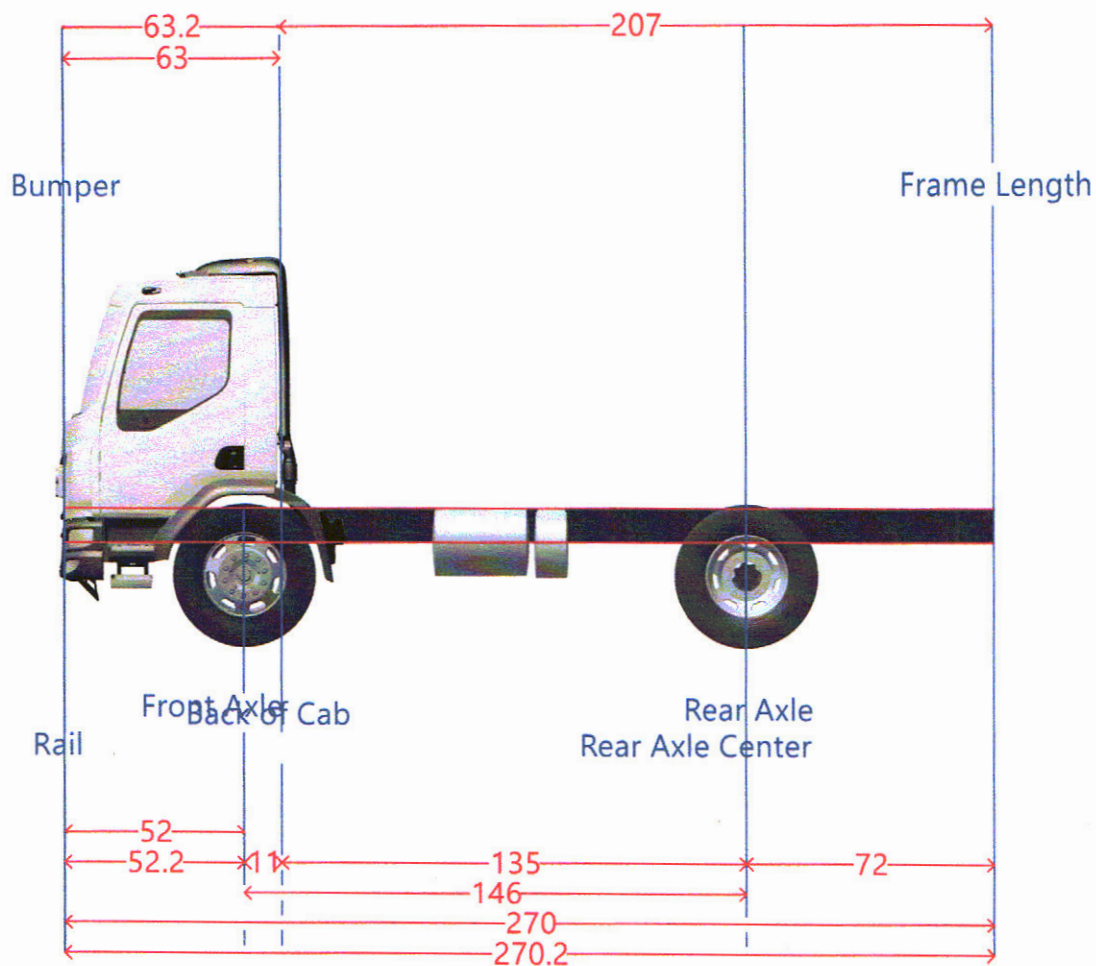
Dimensional and performance data for unpublished options may vary from that displayed in CRM.

---

### **PRICING DISCLAIMER**

*While we make every effort to maintain the web site to preserve pricing accuracy, prices are subject to change without notice. Although the information in this price list is presented in good faith and believed to be correct at the time of printing, we make no representations or warranties as to the completeness or accuracy of this information. We reserve the right to change, delete or otherwise modify the pricing information which is represented herein without any prior notice. We carefully check pricing specifications, but occasionally errors can occur, therefore we reserve the right to change such prices without notice. We disclaim all liability for any errors or omissions in the materials. In no event will we be responsible for any damages of any nature whatsoever from the reliance upon information from these materials. Please check your order prebills to confirm your pricing information*

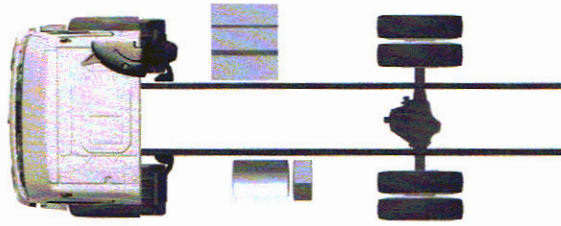
# HORIZONTAL DIMENSIONS



Dimension	Measurement	Start	End
Axle Spacing	0	146	146
Bumper to Back of Cab	63.2	-52.2	11
Bumper to Front Axle	52.2	-52.2	0
Bumper to Front Frame	0.2	-52.2	-52
Cab to End of Frame	207.0	11	218
Cab to Rear Axle	135.0	11	146
Effective Bumper to Back Of Cab	63.2	-52.2	11
Frame Length	270.0	-52	218
Front Axle to Back of Cab	11.0	0	11
Front of Frame to Axle	52.0	-52	0
Load Space	207.0	11	218
Overall Length	270.2	-52.2	218
Overhang	72.0	146	218
Pusher Offset #1	0.0	146	146
Pusher Offset #2	0.0	146	146
Pusher Offset #3	0.0	146	146
Tag Offset	0.0	146	146



# FRAME LAYOUT



**Note:** Optional content may be displayed. The order has not yet received an engineering review. The actual arrangement of components may not be exactly as pictured. Additional changes may be made to the layout by Kenworth. Add a Custom Frame Layout code if an exact layout is required.

## Selected Options (Wheelbase: 146)

Sales Code	Description	Length	Side
7722008	Rectangular DEF tank. 7.5 gallons of	9.8	Left
6401512	Steel space saver battery box, right hand back	32.4	Right
7134045	Fuel Tank: 45 US gallon rectangular steel	28	Left





# RL SERIES

RL6. RL8. RL10



## RL SERIES HEIGHTENS MUNICIPAL SOLID WASTE INDUSTRY

World class manufacturing combined with cutting-edge technology perfectly crafts a superior product: the Pac-Mac® RL Series. The innovative RL Series is engineered using the most advanced computer modeling systems. The Pac-Mac® RL Series proves that Pac-Mac® is committed to providing the highest quality products in the solid waste industry. Do It Right with Pac-Mac®!



**E-PAC-MAC.COM**

MANUFACTURED BY HOL-MAC CORPORATION  
P.O. BOX 349, BAY SPRINGS, MS 39422 • 601.764.4121

**NJPA AWARDED  
CONTRACT**  
#031014-HMC



# RL SERIES

## TECHNICAL DATA AND SPECIFICATIONS:

### GENERAL SPECIFICATIONS

MODEL	RL6	RL8	RL10
Capacity	6 cu. yd.	8 cu. yd.	10 cu. yd.
Hopper Capacity	1 cu. yd.	1 cu. yd.	1 cu. yd.
Length (Tailgate Closed)	162 in.	186 in.	210 in.
Body Width	87 in.	87 in.	87 in.
Body Weight (Approximate)	7,235 lbs.	7,680 lbs.	8,120 lbs.
Inside Hopper Width	66.3 in.	66.3 in.	66.3 in.
Frame to Highest Point (Tailgate Closed)	69.5	69.5	69.5
Frame to Highest Point (Tailgate Open)	111.75 in.	111.75 in.	111.75 in.
BODY CONSTRUCTION SPECIFICATIONS	RL6	RL8	RL10
Sidewalls	10 Ga high tensile steel	10 Ga high tensile steel	10 Ga high tensile steel
Floor (Flat Type; No Trough)	7 Ga high tensile steel	7 Ga high tensile steel	7 Ga high tensile steel
Roof	10 Ga high tensile steel	10 Ga high tensile steel	10 Ga high tensile steel
Ejection Panel	10 Ga high tensile steel	10 Ga high tensile steel	10 Ga high tensile steel
Hopper	3/16" T1 steel	3/16" T1 steel	3/16" T1 steel
Packer Face	3/16" T1 steel	3/16" T1 steel	3/16" T1 steel
Slide Panel	3/16" HIGH TENSILE	3/16" HIGH TENSILE	3/16" HIGH TENSILE
Lower Tailgate Sides	3/16" T1 steel	3/16" T1 steel	3/16" T1 steel
Upper Tailgate Sides	10 Ga high tensile steel	10 Ga high tensile steel	10 Ga high tensile steel
Load Sill Below Chassis Frame	1.25 in.	1.25 in.	1.25 in.
Cylinder			
- Ejector	Single stage 4 1/2" bore	2-stage 4 1/2" bore	2-stage 4 1/2" bore
- Tailgate	3 1/2" bore	3 1/2" bore	3 1/2" bore
- Slide	3 1/2" bore	3 1/2" bore	3 1/2" bore
- Packer	3 1/2" bore	3 1/2" bore	3 1/2" bore
Valves			
- Shutoff	ball	ball	ball
- Packing Controls	Sectional spool	Sectional spool	Sectional spool
- Ejector/Tailgate Raise	Sectional spool	Sectional spool	Sectional spool
Performance Specifications	RL6	RL8	RL10
Packing Cycles			
- Complete	16 sec.	16 sec.	16 sec.
- Reload	3 sec.	3 sec.	3 sec.

Maximum Operating Pressure	2,700 psi	2,700 psi	2,700 psi
Gallons Per Minute	12 GPM @ 1,200 RPM	12 GPM @ 1,200 RPM	12 GPM @ 1,200 RPM
Reservoir	30 gallon	30 gallon	30 gallon
Chassis Requirements	RL6	RL8	RL10
Minimum GVWR	17,000 lbs.	19,500 lbs.	21,000 lbs.
Usable CA	84-86 in.	108 in.	134-138 in.
Minimum Afterframe	36 in.	36 in.	36 in.

### STANDARD FEATURES:

- Engineered using the most advanced computer modeling and stress analysis systems available.
- Meets or exceeds ANSI standards.
- Durable construction for years of reliable service.
- Integrated tailgate props.
- Automatic latches.
- The industry's highest standard in hydraulic system cleanliness.
- 10 micron return filtration
- Engine speed-up system with overspeed protection
- Driver signal buttons on both sides.
- Hardened steel pins throughout.
- Replaceable hardened bushings in cylinder eyes and packer pivots.
- Single, clear rear strobe.

### OPTIONAL EQUIPMENT

- Cart Tipper
- Reeving system (Winch type)
- Dual rear strobes
- Amber strobe(s)
- Smart light strobe system
- Rear view camera system
- Work Lights
- Frame-mounted water cooler
- Frame-mounted tool box

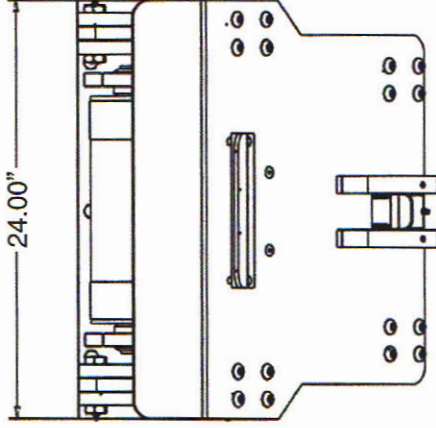
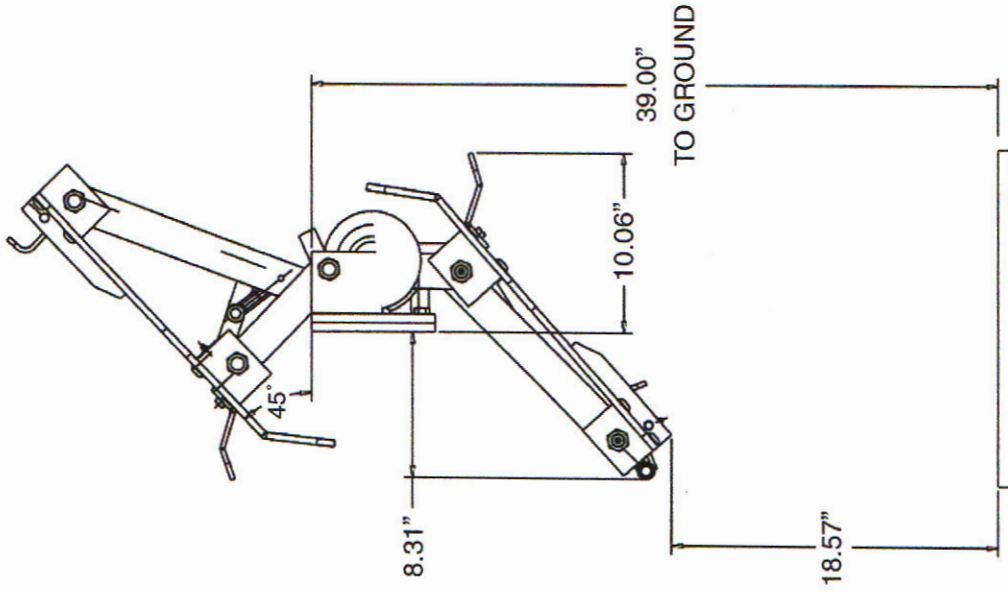
ALL DESIGN, SPECIFICATIONS AND COMPONENTS ARE SUBJECT TO CHANGE AT THE MANUFACTURER'S SOLE DISCRETION AT ANY TIME WITHOUT NOTICE. DATA PUBLISHED HEREIN IS FOR INFORMATION PURPOSES ONLY AND SHALL NOT BE CONSTRUED TO WARRANT SUITABILITY OF THE UNIT FOR ANY PARTICULAR PURPOSE, AS PERFORMANCE MAY VARY WITH THE CONDITIONS ENCOUNTERED. THE ONLY WARRANTY IS OUR STANDARD WRITTEN WARRANTY FOR THIS PRODUCT AT THE TIME OF SHIPMENT.



**HOL-MAC CORPORATION**  
P.O. BOX 349, BAY SPRINGS, MS 39422  
601.764.4121



## CLEARANCE AND DIMENSIONS



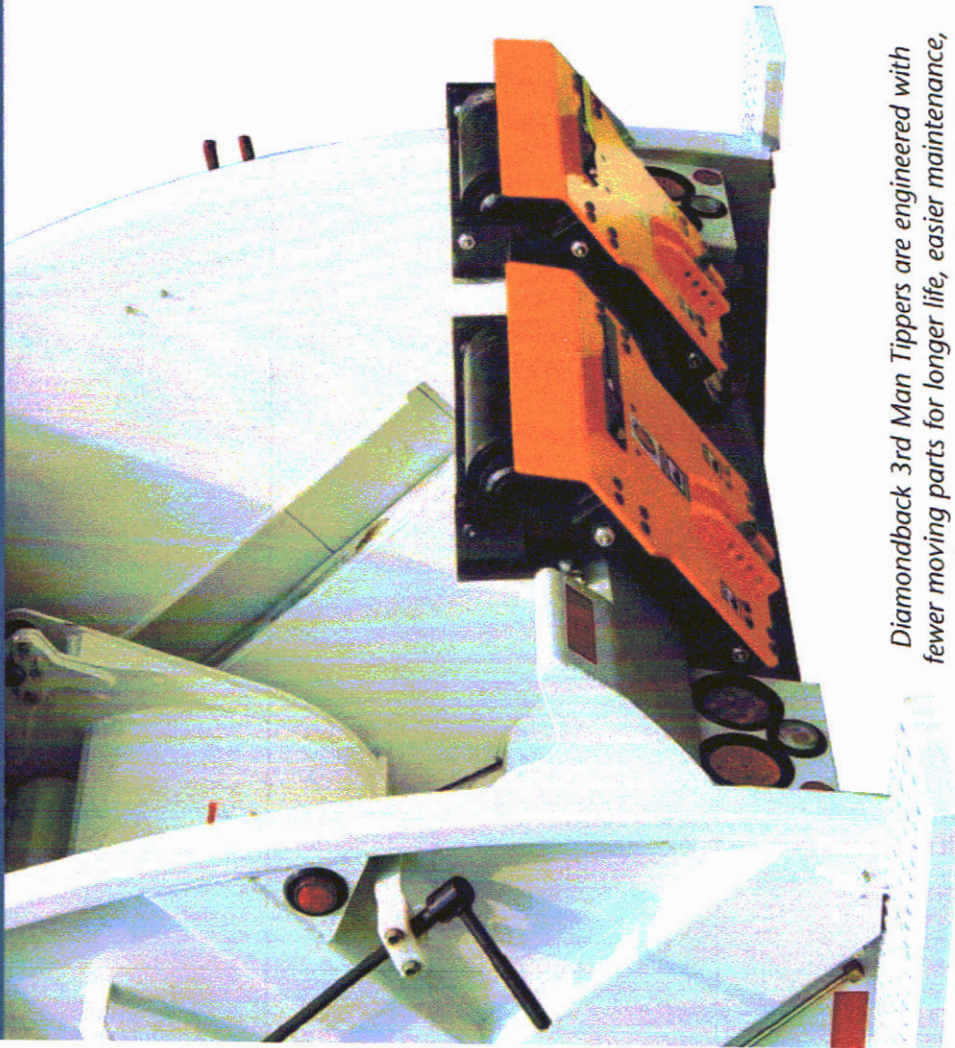
## KEY FEATURES AND PERFORMANCE SPECS

- Fits all ANSI Z245.30 (domestic two bar style) Carts & meets all Z245.60 Cart Specifications
- Dumps 400 lbs @ 1600 psi
- 6-8 sec cycle time at 3.2 gpm
- 45 degree Dump angle
- Mounting height 37" to 41" (mounting plate included)
- Heat treated pivot pins
- 3/8" thick faceplate
- Powder coated finish
- Two year limited warranty



**MODEL  
500**

# REAR LOAD



- **Eliminates Bottom Bar Cart Damage**  
Patented spring bottom bar latching system virtually eliminates bottom bar damage by providing shock absorption during dump cycle and also ensures above ground release.
- **Easy cart engagement**  
Sweeping action of cart lifter allows for easy cart engagement on uneven ground.
- **High/Deep dump**  
Cart lifter gives a high/deep throw into hopper allowing for speed of emptying carts.
- **Ground Clearance**  
Cart lifter rotates back under hopper allowing for the most possible ground clearance available.
- **Heavy duty lifting and drive arms**  
3/4" solid steel lifting and drive arms
- **Self-Aligning Ball Bushings**  
Made of hardened steel, shock and corrosion resistant, and require very low lubrication maintenance. All bushings are housed in "Air Craft" grade aluminum to help cut down on rust and corrosion for ease of repair.
- **26K Rotary Actuator**  
The largest actuator used in the lifter industry. Actuator produces 26K ft/lb of torque at 3000 psi

*Diamondback 3rd Man Tippers are engineered with fewer moving parts for longer life, easier maintenance, and to save you money on parts inventory.*

**Simple is Better.**



**DIAMONDBACK™**  
**PRODUCTS**  
**3rd Man Cart Tippers**

888-313-1424 • [www.diamondbackproducts.com](http://www.diamondbackproducts.com)



## **Carolina Environmental Systems, Inc.**

*306 Pineview Dr., Kernersville, NC 27284*

*2701 White Horse Road, Greenville, SC 29611*

*500 Lee Industrial Blvd, Austell, Ga 30168*

**800-239-7796**

---

### **Quotation**

#### **Pac Mac Model RL10**

Date: 5/15/20

Quote: 200515

To: MHC KW / DeKalb County, Ga.

#### **Pac Mac Model RL10 Standard Features**

- Engineered using the most advanced computer modeling & stress analysis systems available
- Meets or exceeds ANSI standards
- Durable construction for years of reliable service
- Ease of Maintenance is built in
- Integrated tailgate props
- Automatic latches
- The industry's highest standard in hydraulic system cleanliness
- 10 micron return filtration
- Engine speed-up system with overspeed protection
- Driver signal buttons on both sides of tailgate
- Hardened steel pins throughout
- Replaceable hardened bushings in cylinder eyes & packer pivots
- Single clear rear strobe.

#### **Options Included in Sales Price**

- White Paint/Yellow Tailgate
- Factory Mounting
- Freight
- Peterson Smart Lights
- Dual Front Amber Strobes
- Dual Hopper Work Lights
- Under Coating of Body
- Mud Flaps
- Side Door Shut Off
- Auxiliary Hydraulic Hookup
- (1) Diamond Back Model 500 Rotary Tipper
- Backup/Right Hand Side Camera & Monitor