

Public Notice of Proposed Award of Sole Source Procurement

Section A – Description of Proposed Sole Source Procurement

Description of Supplies/Services: Runbeck Election Services, Inc., Vote Center Hubs – D-Line Products.

Demonstration of Contractor’s Unique Qualifications: Runbeck Election Services, Inc. is the exclusive seller of FlexMet’s Vote Center Hubs. These hubs are designed to work with ES&S and Dominion tabulation systems, guaranteeing anonymity and satisfying ADA requirements. The hubs reduce time-consuming set-up processes for staff while keeping election supplies safely stored.

Section B – To Be Completed by the Department of Purchasing and Contracting

Market Survey Results

Date Public Notice posted on website: June 23, 2023

Date Public Notice closed: June 29, 2023

Review of Offers

Were any offers received (Yes/No): No

Number of offers received: N/A

Responders: 0

Purchasing Agent review and recommendation: Runbeck Election Services, Inc., is the exclusive seller and distributor of all Vote Center Hubs manufactured by FlexMet Inc. These hubs will allow Voter’s Registration and Elections to set-up the voting machines within the hub and allow them to be secured in the hub for transportation and set-up. This will reduce the overall costs in labor and transportation. This is the first purchase through Runbeck Election Services. I would recommend approval of the Sole Source with Runbeck Election Services, Inc.

Jennifer Schofield

Agent Signature

July 3, 2023

Date

Delois Robinson

Digitally signed by Delois Robinson
Date: 2023.07.18 14:24:49 -0400'

7/18/23

Procurement Manager Signature

Date



Department of Purchasing and Contracting NON-COMPETITIVE PROCUREMENT REQUEST FORM

Requesting Department: Voter Registration & Elections

Department Contact Person: Dwayne S. Daniel Telephone: 404 298-4030
Email: dsdaniel@dekalbcountyga.gov

Requisition Number: _____ Suggested Supplier: Runbeck
Estimated Amount of Purchase: \$ 2,281,925.00
Detailed Description of the Goods or Services to be purchased: _____
Vote Center Hub Elections Equipment

Emergency (For Emergency Requests, Please check this box and answer **all** questions below.)

1. Date and Time of Emergency Occurrence: _____

2. Please state the nature of the emergency posing a risk to public health, welfare, safety or resources:

Due to the predetermined 2023 elections schedule, the 14-18 week delivery lead time necessary to receive the equipment prior to the end of the year elections, if not met, poses a risk to the security of the fall security and overall efficiency of the fall elections.

3. State how the Estimated Amount was determined to be Fair and Reasonable (attach supporting documentation):

The selected vendor is the only company that provides this equipment.

Sole Source (Please check box and answer all of the following completely.)

1. Provide an explanation why the product, service or supplier requested is the only method that can satisfy the requirements. Please explain why alternatives are unacceptable. Be specific with regard to specification, features, characteristics, requirements, capabilities and compatibility. (Attach additional documents, if necessary):

The selected vendor, Runbeck Election Services, confirmed that they are the only company that offers this state-of-the-art equipment that supports transparent, secure, and auditable elections. Therefore they are the only supplier that can satisfy this request.

2. Will this purchase obligate us to a particular vendor for future purchases? (Either in terms of maintenance that only this vendor will be able to perform and/or if we purchase this item, will we need more "like" items in the future to match this one?) Explain in detail.

No, this is a one-time purchase that has been administratively approved for 2023. The purchase includes a limited warranty that covers various parts on the equipment.

3. Explain the impact to the County or Public if this request is not approved.

The inability to purchase this equipment will impede upon DeKalb's ability to work efficiently and will have significant consequence for production throughout the year and during subsequent election cycles. Disapproval will also leave the county vulnerable to security issues.

I hereby request that this non-competitive procurement request be approved for the purchase of the above stated work, material, equipment, commodity, or service.

Department Director (Typed/Printed Name) Keisha L. Smith Signature: Keisha L. Smith Date: 06/21/23

Do Not Write Below – for the Department of Purchasing and Contracting Use Only

Procurement Agent (Typed/Printed Name) Jennifer Schofield Signature: Jennifer Schofield Date: 7.3.2023

Procurement Manager (Typed/Printed Name) Delois Robinson Signature: Delois Robinson Date: 7/18/23

Approved Not Approved

Signature: _____, Director, Department of Purchasing and Contracting Date: _____

P&C Rev. 12/13/2018

Approved Not Approved _____, Zachary L. Williams, Chief Operating Officer

Print Form

(Additional information, attach pages if required):

Detailed Description of the goods to be purchased and other information:

DeKalb Voter Registration and Elections (VRE) continues to advance efforts to improve operations, security and ultimately enhance the voter experience for DeKalb electors. This administratively approved purchase of the vote center hubs will aid us in meeting this objective. The purchase includes 109 D1 Vote Hubs-Single ICX BMDs, 94 D2 Vote Hubs-Dual ICX BMDs, and 485 D4 Vote Hubs-Quad ICX BMDs (privacy screens included). DeKalb will be joining four (4) other Georgia counties that have already deployed and found value in the vote center hubs: Fulton, Cobb, Liberty and Coweta.

Efficiency, productivity, and security are prioritized in DeKalb elections. As such, during the election cycles each year and for each election VRE works to ensure adequate resources are allocated to logistical planning and implementation for preparing DeKalb's 191 polling locations. This includes adequate staffing levels/manpower, sufficient time, and other resources related to the critical task at hand. The vote center hub aids in streamlining this process. In addition, since the vote hubs are self-containing units that are designed to house all voting station equipment including the batteries, DeKalb's dedicated poll workers will no longer be required to lift the 80 pound batteries as required before with setup and breakdown. Integrating the vote center hubs into VRE's operations will aid in the prevention of injuries while adding to the workers' satisfaction in participating in the election administration process. Lastly, the equipment has proven to provide an enhanced security when the equipment is stored in the warehouse and polling locations. DeKalb VRE realizes that the county's electors' confidence in the value of their vote is contingent upon an election process that is secure. In today's election's landscape, neglecting to purchase necessary equipment can expose the county to various risks.

The voter center hubs are securely constructed made of durable steel and all storage compartments are reinforced with keylocks. The hubs can easily transport up to 300 pounds of equipment with built-in pull handles and heavy duty wheels. Furthermore, they have proven to be efficient with the elimination of unnecessary labor. Finally, it is cost effective and the purchase will yield a residual return on investment (ROI) with the reduction in staffing needed for setup and delivery of elections equipment.

The total for the equipment is \$2,241,925 with an estimated freight cost of \$40,000 for a grand total of \$2,281,925. A 50% deposit of \$1,120,962.50 is due immediately and must be received by the vendor before 6/23/2023 to ensure on time delivery of the first shipment in advance of logic and accuracy testing for the November 2023 elections. The balance will be due upon delivery.

Cost Estimate (Equipment)

DESCRIPTION	QTY	UNIT PRICE	AMOUNT
D1 Vote Hub-Single ICX BMD	109	\$975	\$106,275
D2 Vote Hub-Dual ICX BMDs	94	\$1,875	\$176,250
D4 Vote Hub-Quad ICX BMDs	485	\$4,040	\$1,959,400
Shipping	All Hubs	*TBD	*TBD
		Total:	\$2,241,925



Runbeck Election Services, Inc. FlexMet Sole Source Letter

Runbeck Election Services, Inc. ("Runbeck") specializes in providing secure, efficient, and cost-effective solutions for national state and county elections. Our focus in this industry enables Runbeck to develop and deliver highly effective products and services. These services are specifically tailored to each of our customers while providing expert user support for each election cycle.

In partnership with FlexMet Inc., Runbeck is the exclusive seller and distributor of all Vote Center Hubs. The D4 is one of five Vote Center Hub variations designed specifically to accommodate Dominion's ImageCast X Ballot Marking Device. Additionally, the D4 includes the following features:

- Portable unit Accommodates up to 4 Dominion ICX Ballot Marking Devices
- 4 stand-up voting stations with ADA capability
- 2 mounts with vents to accommodate Uninterruptible Power Supply (UPS) battery backups
- Security seal lock pockets on each voting station
- 2 T-handle latches for reinforced security
- Built-in safe compartment
- Ballot box for ImageCast Scanner
- Voting doors work as privacy shields at each voting station
- Daisy Chain Capable

Runbeck, as an entity, confirms and ensures that the aforementioned information is current, accurate and reflects the exclusivity of the products and solutions provided by Runbeck Election Services, Inc.

Sincerely,

A handwritten signature in black ink, appearing to read "Rizwan Fidai", is written over a light blue horizontal line.

Rizwan Fidai

Vice President of Sales





Defending Democracy®

With Election Experts
You Can Depend On.

DEKALB COUNTY, GEORGIA

VOTE CENTER HUBS – D-LINE

PRODUCT PROPOSAL

05/25/2023

QUOTE #: 00001877

Election Supply Products Proudly
Manufactured In The U.S.A By



Overview

Dear Keisha L. Smith,

Here at Runbeck Election Services (Runbeck), we are solely focused on elections, dedicating all our resources to our election partners and the advancement of election solutions. Since our establishment in 1972, and we have been an active participant in the growth and modernization of the electoral process. Now, 50 years later, we are trusted by jurisdictions across the nation to deliver customized election products and services, reaching 70 million+ registered voters each cycle. When it comes to the election industry, no one can compete with our team's experience in the scale of solutions, years of operation, and comprehensive expertise.

Our team at Runbeck is very excited to be partnering with FlexMet™ as the exclusive seller to secure, durable, and transportable Vote Center Hubs. Manufactured out of Tennessee, the FlexMet product line is compatible with both ES&S and Dominion tabulation vendors. They are designed to ensure voter privacy and meet ADA compliance standards. Having limited manpower and resources for your polling station set-up can result in hours of overtime work. The Hubs eliminate unnecessary labor while providing peace of mind that all of your election supplies are safely stored.

We understand processes, procedures, laws, products, and equipment. This group of subject matter experts will assist our partners with hardware installation, background knowledge and of course, training, on how to use all of our offered products. We are committed to giving our partners an unbeatable level of service and support to expertly plan and execute your election process.

It takes extreme focus, unlike any other industry, to reach perfection. The election industry demands it. It is our hope that our elections focus is reinforced and clearly reflected in every facet of our company and makes it clear that we take pride in Defending Democracy®.

Sincerely,



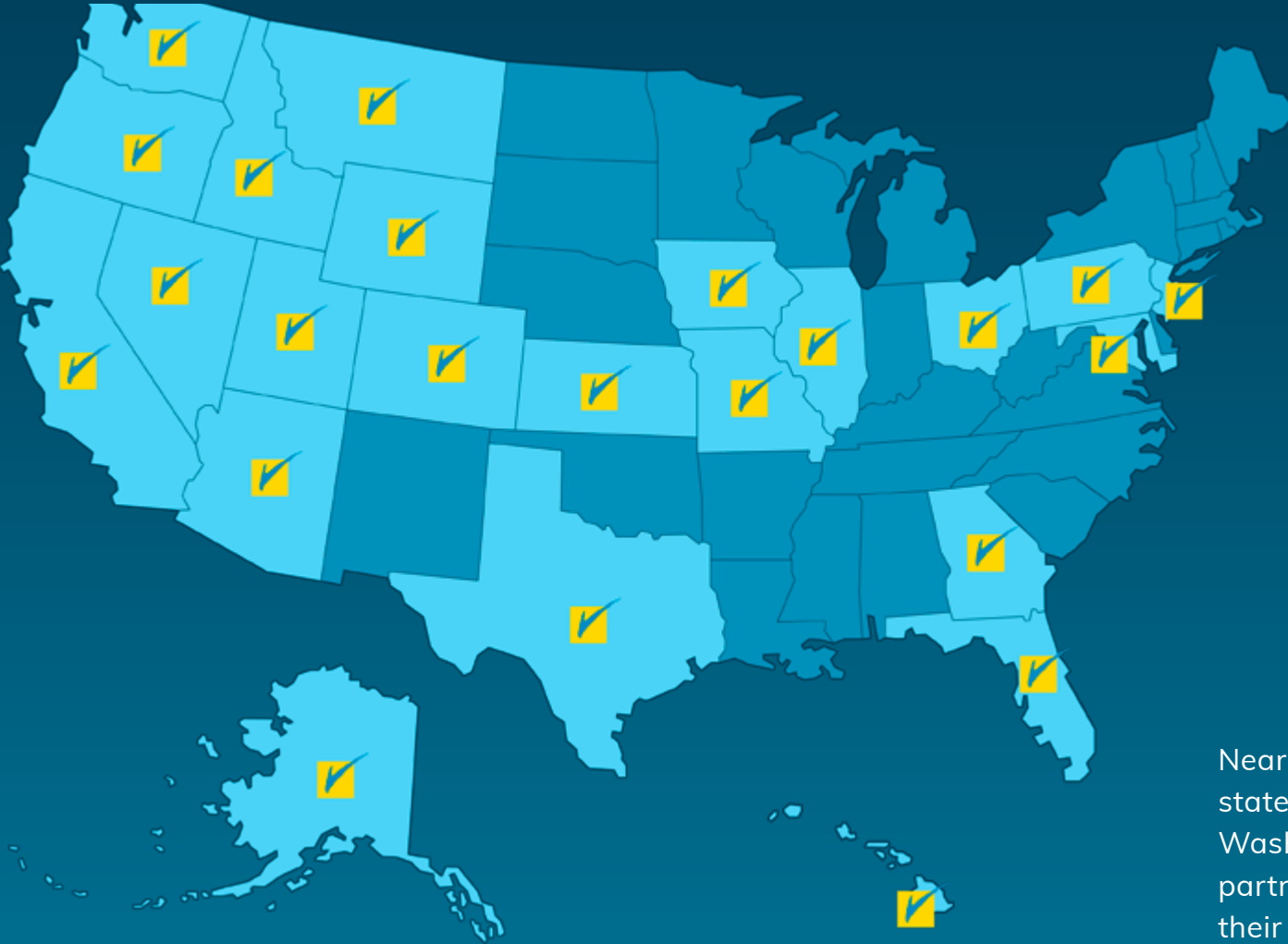
Rizwan Fidai

Vice President of Sales

Runbeck Election Services, Inc.

Trusted Across The Nation

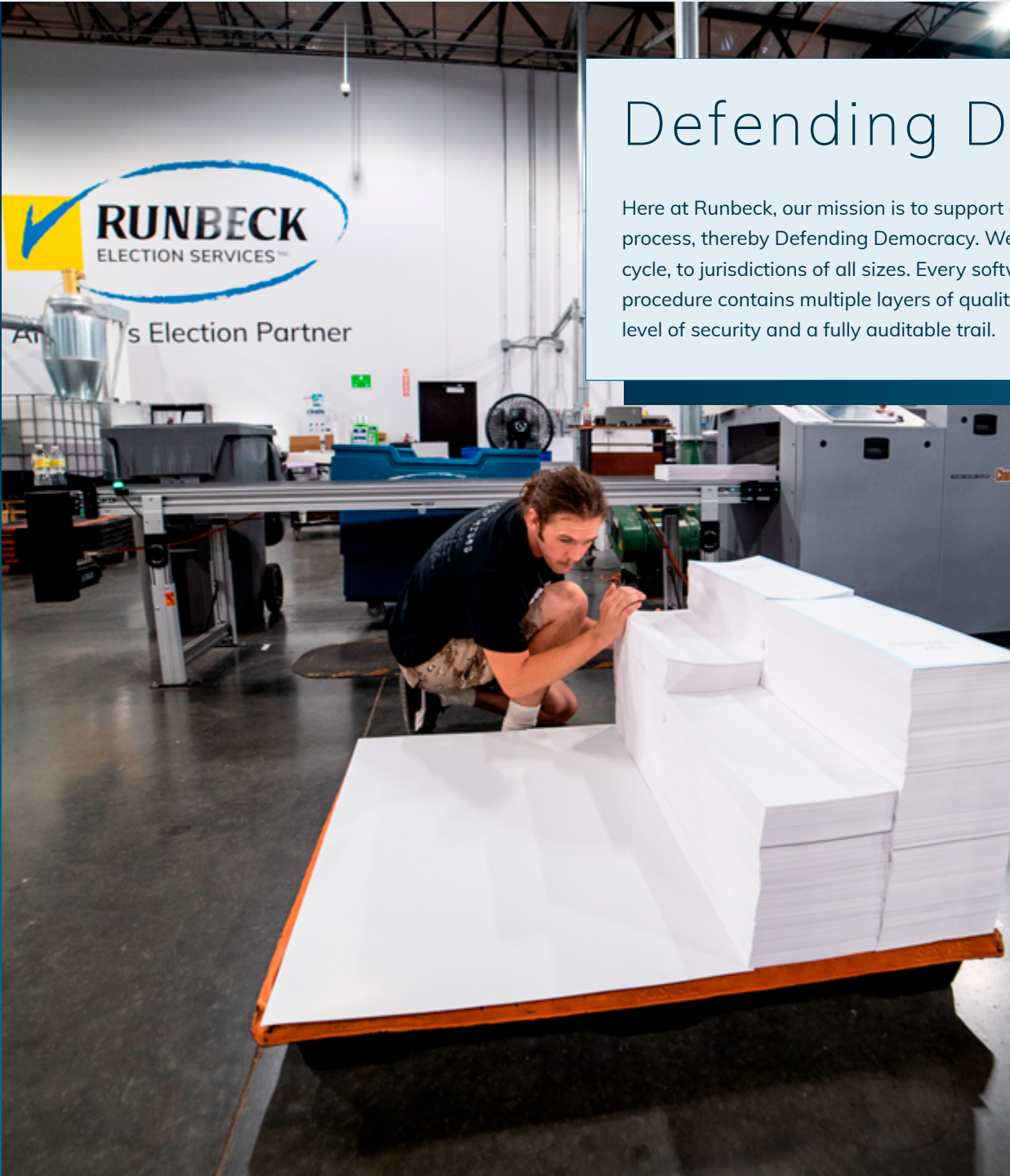
 = Our Election Partners



Nearly half of the 50 states, along with Washington D.C., partner with us for their election services.

Defending Democracy®

Here at Runbeck, our mission is to support and empower every participant in the election process, thereby Defending Democracy. We provide every election essential, for every election cycle, to jurisdictions of all sizes. Every software program, hardware solution, and production procedure contains multiple layers of quality assurance protocols to guarantee the highest level of security and a fully auditable trail.



EXPERIENCED

We are proud of our history of integrity-driven election services spanning over five decades and reaching over 70 million voters, every election.



SECURE

We are a member of the federal Subsector Coordinating Council (under the Department of Homeland Security) and maintain SOC 2 Type II compliance.



CUTTING EDGE

Our products are the most secure and reliable on the market, and our facilities are home to state-of-the-art equipment that supports transparent and auditable elections.

Our team at Runbeck is very excited to be partnering with FlexMet™ as the exclusive seller to secure, durable, and transportable Vote CenterHubs.

Manufactured out of Tennessee, the FlexMet product line is compatible with both ES&S and Dominion tabulation vendors. They are designed to ensure voter privacy and meet ADA compliance standards. Having limited manpower and resources for your polling station set-up can result in hours of overtime work. The Hubs eliminate unnecessary labor while providing peace of mind that all of your election supplies are safely stored.



VOTE CENTER HUBS ARE...



DURABLE



PORTABLE



SECURE



DOMESTIC

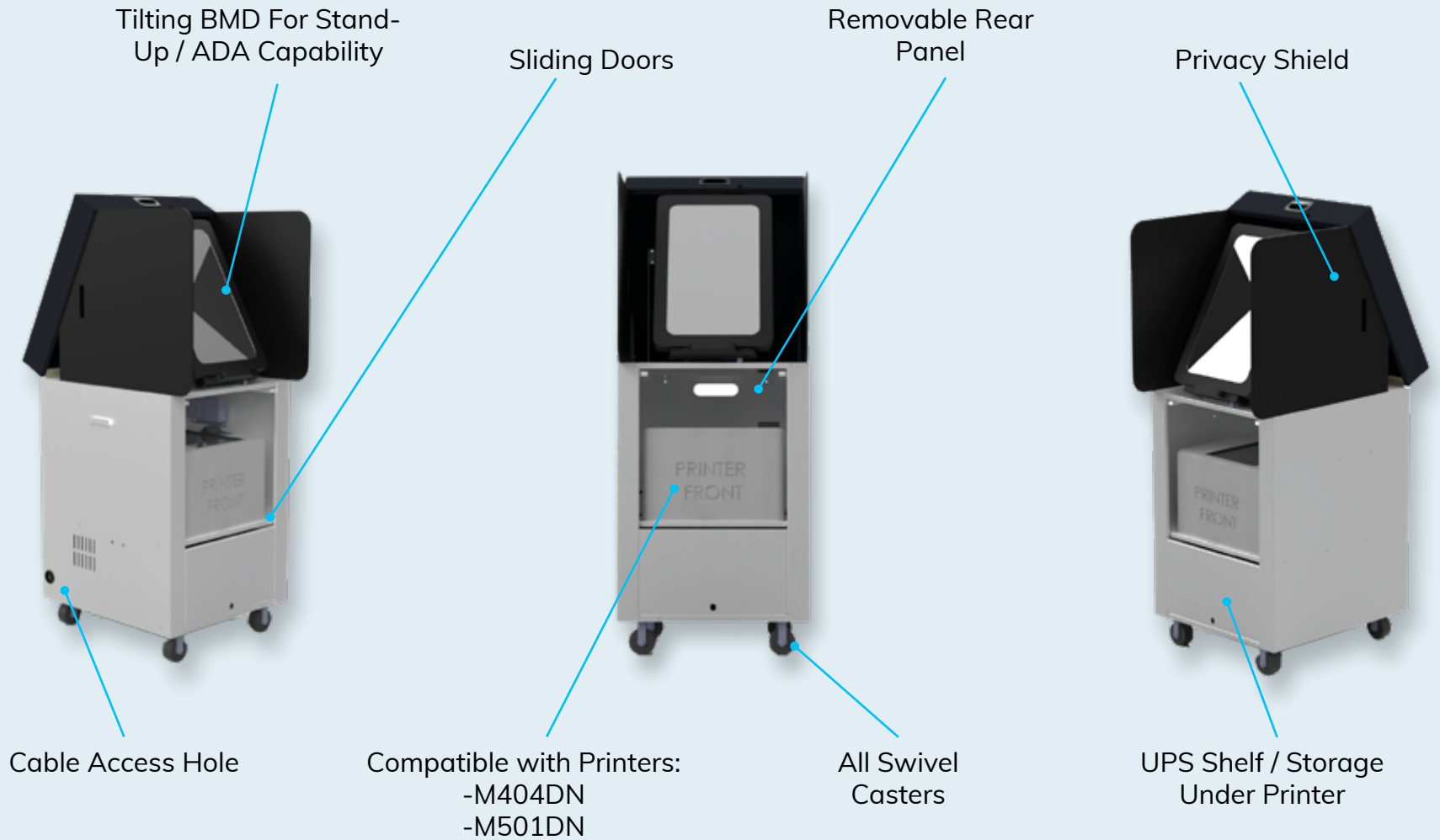
D1



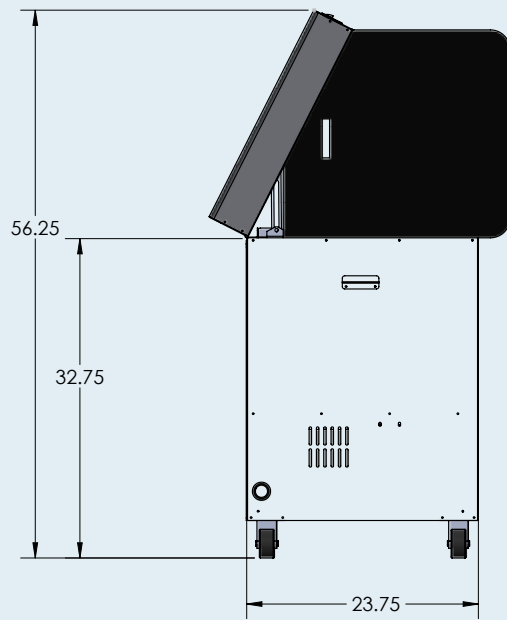
Manufactured
in the USA by



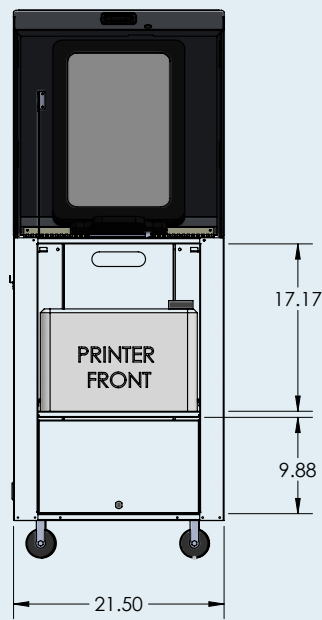
D1



D1

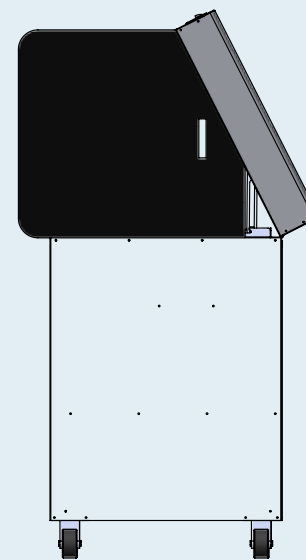


LEFT

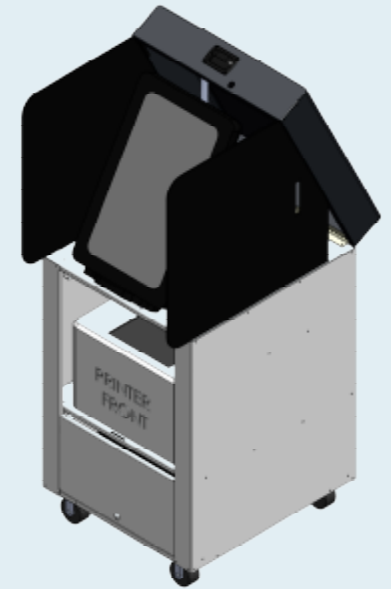


FRONT

OPEN VIEW

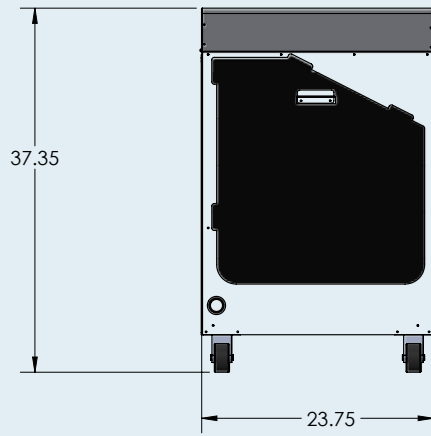


RIGHT

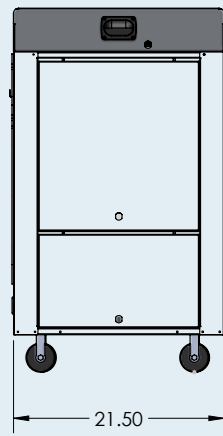


D1

America's Election Partner®

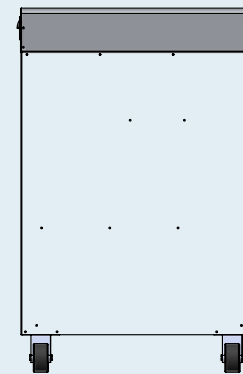


LEFT

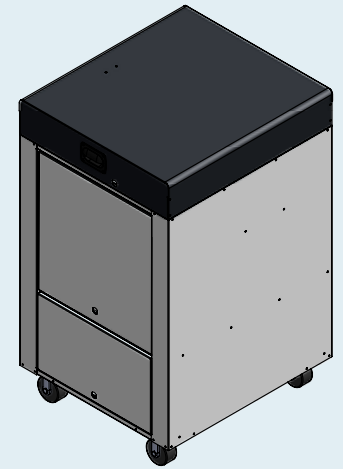


FRONT

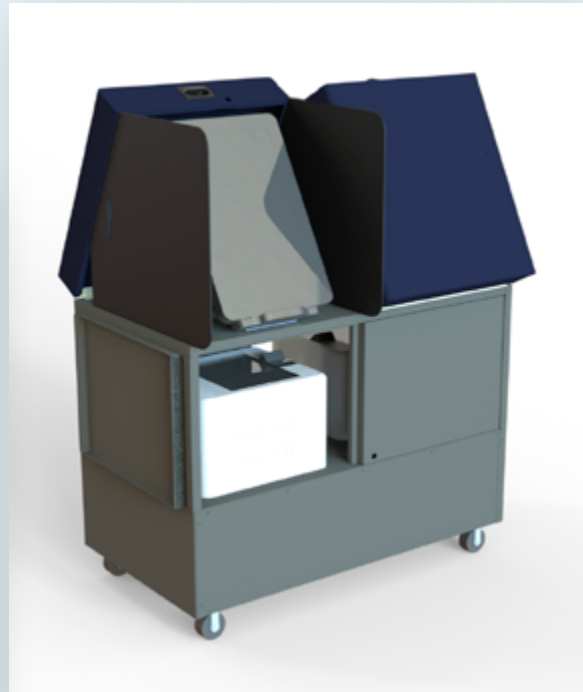
CLOSED VIEW



RIGHT



D2

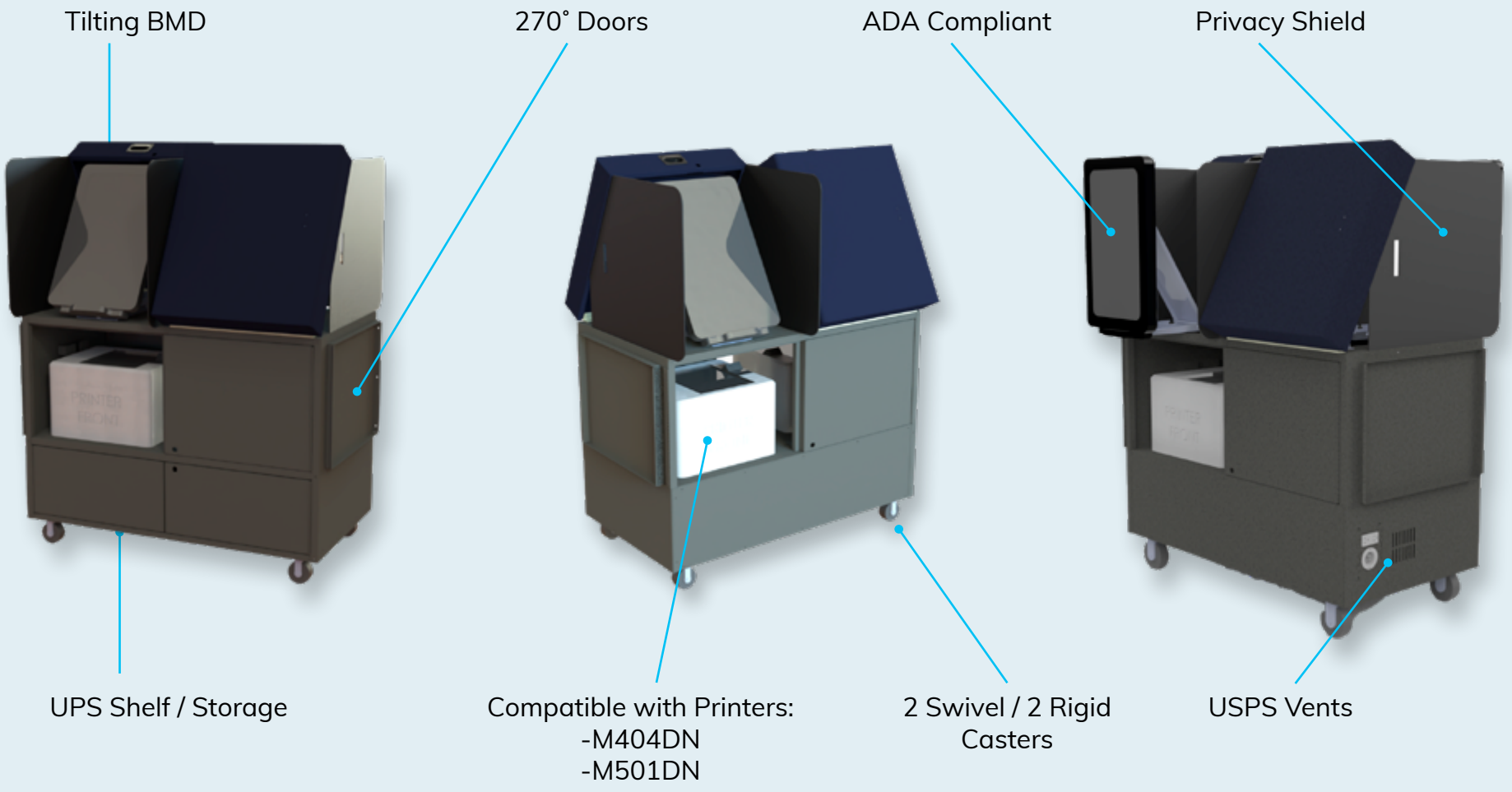


Manufactured
in the USA by

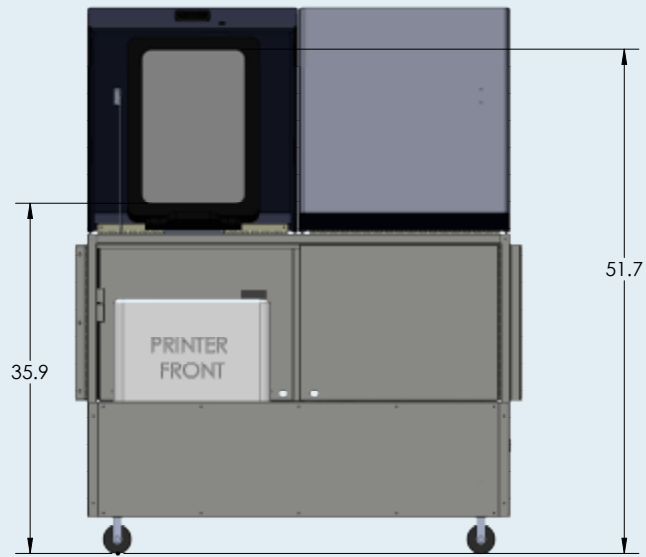


D2

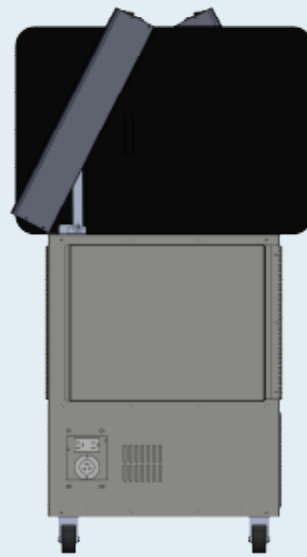
America's Election Partner®



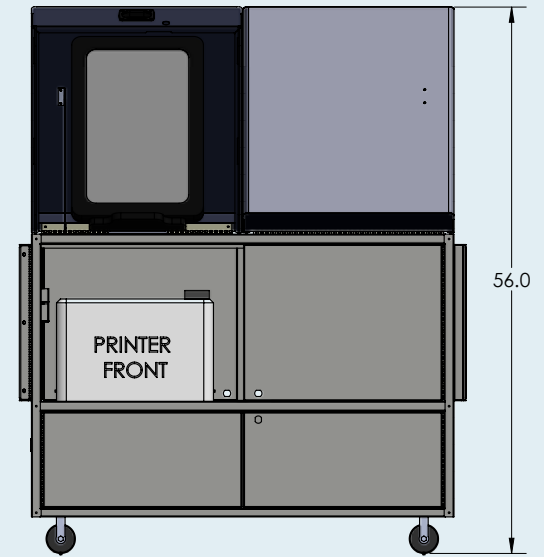
D2



BACK



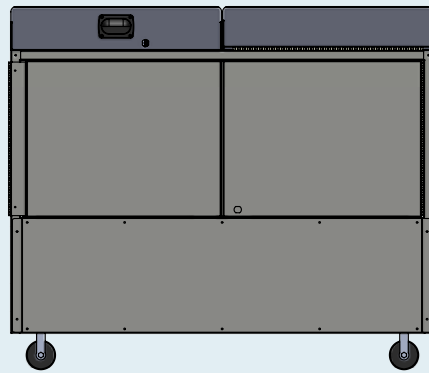
LEFT



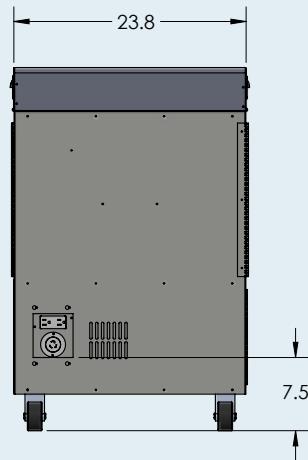
FRONT



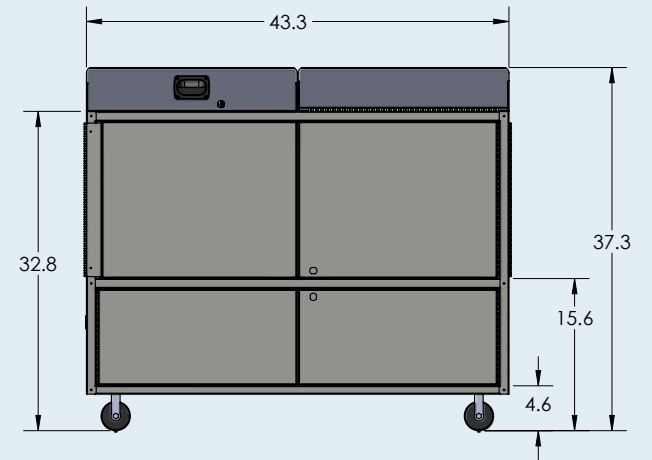
D2



BACK

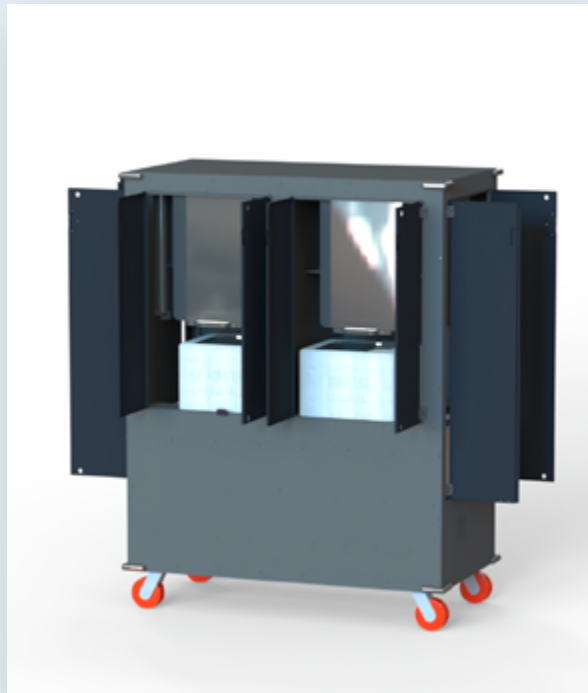


LEFT



FRONT

D4

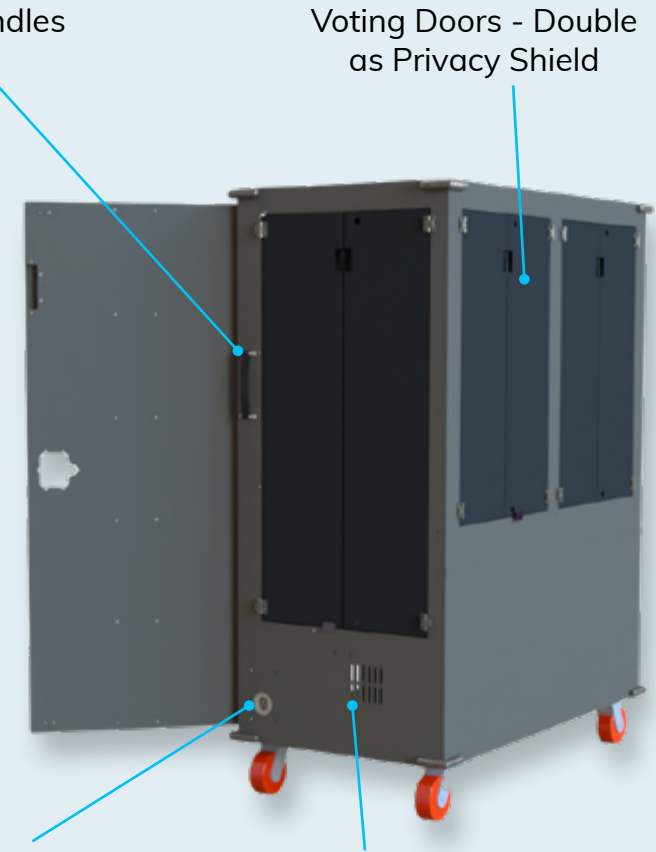
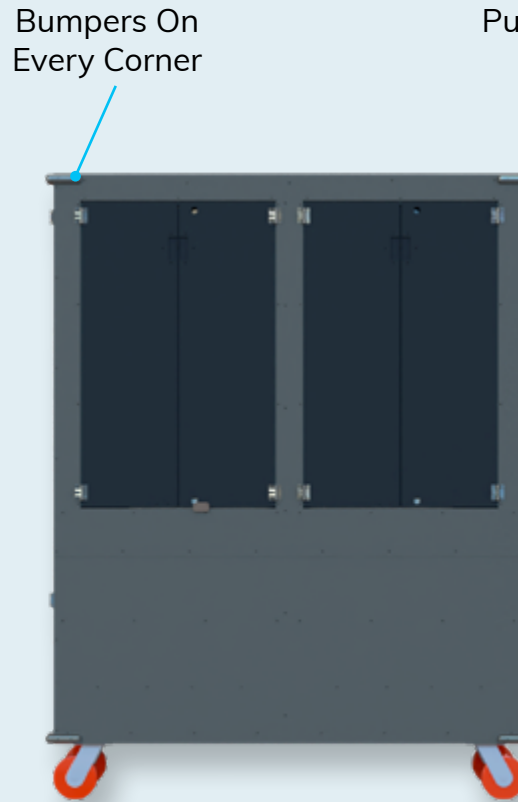


Compatible with M501DN Printers

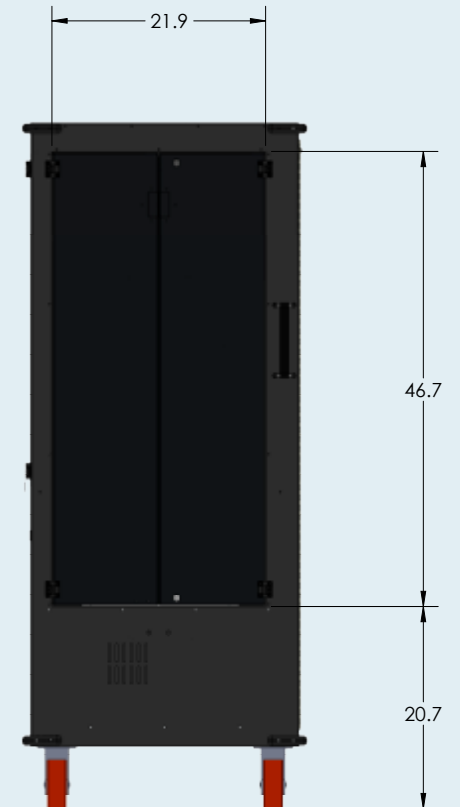
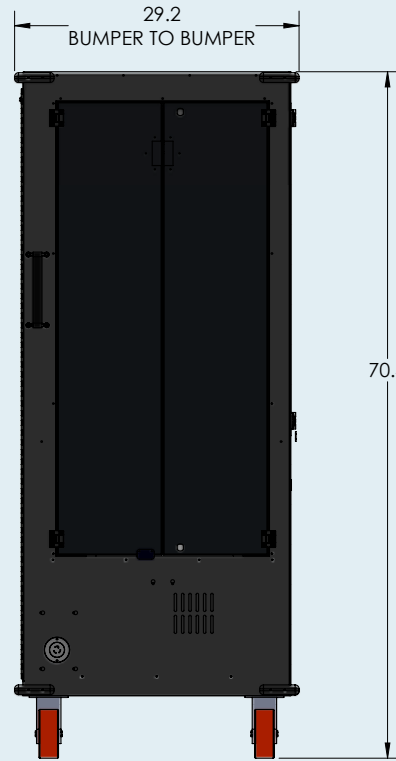
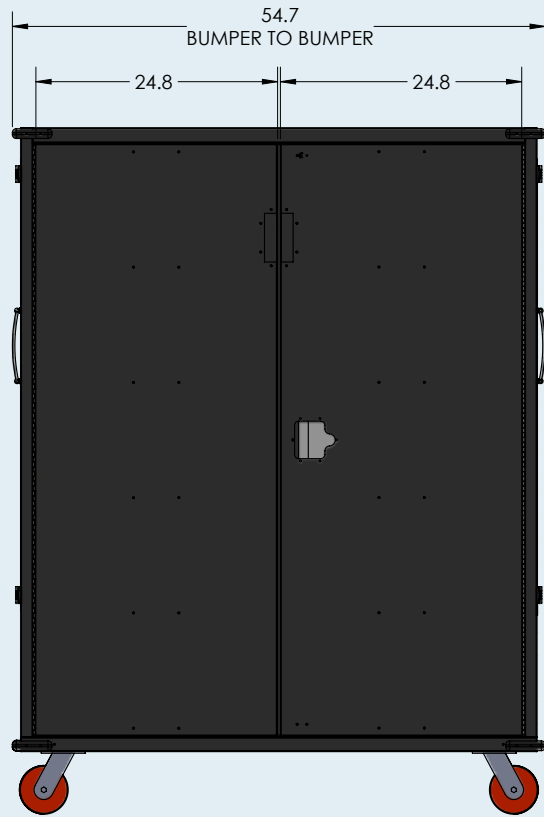
Manufactured
in the USA by



D4



D4



Vote Center Hub Pricing

DESCRIPTION	QTY	UNIT PRICE	AMOUNT
D1 Vote Hub- Single ICX BMD	109	\$975	\$106,275
D2 Vote Hub- Dual ICX BMDs	94	\$1,875	\$176,250
D4 Vote Hub- Quad ICX BMDs, Privacy Screens Included	485	\$4,040	\$1,959,400
Shipping	All Hubs	*TBD	*TBD
Total:			\$2,241,925

NOTES

Quote is valid for 30 days from **05/25/2023**

Any applicable taxes are the sole responsibility of the Client.

*A freight estimate will be provided separately.

**REQUIRED* 50% deposit due on order, remaining 50% upon delivery.

Quote #: **00001877**

Testimonial

“

Setting up and taking down our voting center locations can take a massive amount of time, manpower, and resources. With these Vote Center Hubs, you plug it in, open a door and it's ready to go. Most importantly, the Hubs have an added level of security for when our equipment is in storage.

”

-Janine Eveler, Director of Cobb County Elections and Registration



Dekalb County, Thank You For Your Consideration.

Visit runbeck.net for more information
about our product and services.

RUNBECK ELECTION SERVICES, INC.

VOTE CENTER HUBS – D-LINE

PRODUCT PROPOSAL

05/25/2023

QUOTE #: 00001877

Election Supply Products Proudly
Manufactured In The U.S.A By



Sole Sources

Project Name	3 - Station Driving Range Cover
Attachments	Sole Source Notice
Contact	Will Parker, wmparker@dekalbcountyga.gov
Project Name	Reinstall of Riot Gear
Attachments	Sole Source Notice
Contact	Will Parker, wmparker@dekalbcountyga.gov
Project Name	Covershots Mobile Canopies International, LLC
Attachments	Sole Source Notice
Contact	Joydan Holley, jmholley@dekalbcountyga.gov
Project Name	Deionized Water System
Attachments	Sole Source Notice
Contact	Renee Stevenson, rstevenson@dekalbcountyga.gov
Project Name	Veterinary Services for 2023 for DeKalb Police
Attachments	Sole Source Notice
Contact	Lisa Vaughn, lavaughn@dekalbcountyga.gov
Project Name	Crash Data Grouo, Inc.
Attachments	Sole Source Notice

Contact	Joydan Holley, jmholley@dekalbcountyga.gov
Project Name	FARO VR Notebook and Software Maintenance Subscription
Attachments	Sole Source Notice
Contact	Monique McCrear, mcmccrear@dekalbcountyga.gov
Project Name	Runbeck Election Services, Inc., Vote Center Hubs
Attachments	Sole Source Notice
Contact	Jennifer Schofield, jjshofield@dekalbcountyga.gov