

Governmental Regulated LED Roadway Lights Authorization



Customer Legal Name DeKalb County Government DBA N/A

Service Address Roadway Lighting County DeKalb

Mailing Address Fifth Floor 1300 Commerce Dr. Decatur Ga 30030

Email N/A Tel # _____ Alt Tel _____

Tax ID Same _____ Business Description City/County Government

Existing Customer Yes No If Yes, the current Account Number _____ **Note: LED Roadway lights must be set up on a separate account**

Equipment (excludes any applicable sales taxes)

Action	Qty.	Lumens	M (TOU) / UM	Type	Description	Estimated Monthly Regulated Charge
(1) REM	882		UM	HPS	100 Watt Post Top Fixtures@ \$11.32	-\$9,984.24
(2) REM	4,204		UM	HPS	150 Watt Post Top Fixtures@ \$16.36	-\$68,777.44
(3) REM	130		UM	MV	175 Watt Post Top Fixtures@ \$14.37	-\$1,868.10
(4)						
(5)						
Estimated Total						-\$80,629.78

Install (INS) _____ (M)(TOU) - Roadway (RW)
 Removal (REM) _____ Metered Time of Use Post Top (PT)
 (UM) - Wall Pack (WP)
 Unmetered

Project Notes:
00033-69202 00033-69300
00034-11907 00034-04206
00033-59500 00033-89900
1 of 2 Documents

The estimated monthly regulated charge is based on Georgia Public Service Commission (PSC) approved tariffs in place at the signing of this document. Customer understands that actual usage and future PSC approved tariff changes could change the estimated total. Customer agrees billing is based upon the number of lights attached to the service point(s).

Customer Authorized Signature	Date	Georgia Power Company	Date
Print Name _____	_____	Print Name Jerry Cook	_____
Print Title _____	_____	Print Account Executive	_____

GPC Internal Use Only	INS/REM	UNREG/REG	HID/LED	RETRO/NEW/RWC	PPID#
DWE _____	_____	R	LED	Repl	_____
DWE _____	_____	R	LED	Repl	Rev Class: Street & Hwy <input type="checkbox"/> Other <input type="checkbox"/>
DWE _____	_____	R	LED	Repl	Region _____
DWE _____	_____	R	LED	Repl	Construction: Existing <input type="checkbox"/> Other <input type="checkbox"/>
DWE _____	_____	R	LED	Repl	_____

If an existing customer, list account number if it is not shown above:

DESCRIPTION

The Traditionaire LED outdoor luminaire displays the old-fashioned charm of traditional area lighting, enhancing any setting with distinctive styling. As a decorative luminaire, the Traditionaire LED tastefully complements the architectural and environmental design of parks and roadways. The high-lumen downlight configuration uses Eaton's patented LightBAR™ technology to deliver uniform and efficient illumination to pedestrian and roadway applications.

Catalog #		Type	
Project			
Comments		Date	
Prepared by			

SPECIFICATION FEATURES

Construction

Hinged (stainless steel hinge pins) die-cast aluminum housing and cover with cupola. 3G vibration tested to ensure strength of construction and longevity in application.

Optics

Choice of six patented, high-efficiency AccuLED Optic™ technology manufactured from injection-molded acrylic. Optics are precisely designed to shape the light output, maximizing efficiency and application spacing. AccuLED Optic technology, creates consistent distributions with the scalability to meet customized application requirements. Offered Standard in 4000K (+/- 275K) CCT and minimum 70 CRI. Optional 3000K CCT, 5000K CCT and 5700K CCT. For the ultimate level of spill

light control, an optional house-side shield accessory can be field or factory installed. The house-side shield is designed to seamlessly integrate with the SL2 or SL3 optics.

Electrical

LED drivers mount to die-cast aluminum back housing for optimal heat sinking, operation efficacy, and prolonged life. Standard drivers feature electronic universal voltage (120-277V 50/60Hz), 347V 60Hz or 480V 60Hz operation, greater than 0.9 power factor, less than 20% harmonic distortion, and is suitable for operation in -40°C to 40°C ambient environments. All fixtures are shipped standard with 10kV/10kA common – and differential – mode surge protection. LightBARs feature an IP66 enclosure rating and

maintain greater than 95% lumen maintenance at 60,000 hours per IESNA TM-21.

Mounting

Self-aligning pole-top fitter for 3" O.D. pole tops or vertical tenons. Square headed 1-1/4" polymer coated mounting bolts with a lock nut.

Finish

Cast components finished in a super durable black TGIC polyester powder coat paint, 2.5 mil nominal thickness for superior protection against fade and wear. Optional colors include: bronze, grey and white. RAL and custom color matches available.

Warranty

Five-year warranty.

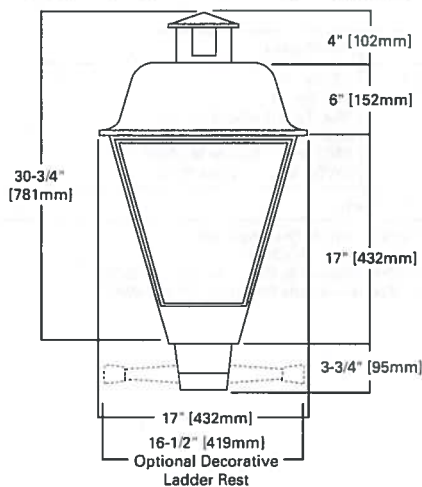


UTLD TRADITIONAIRE LED DOWNLIGHT

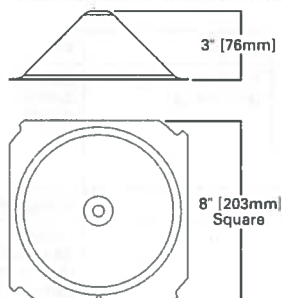
1 - 3 LightBARs
Solid State LED

DECORATIVE POST TOP
LUMINAIRE

DIMENSIONS



OPTIONAL BIRD CONE



CERTIFICATION DATA

UL/cUL Listed
LM79 / LM80 Compliant
3G Vibration Rated
IP66 LightBARs
ISO 9001

ENERGY DATA

Electronic LED Driver
>0.9 Power Factor
<20% Total Harmonic Distortion
120-277V/50 & 60Hz, 347V/60Hz,
480V/60Hz
-40°C Minimum Temperature
40°C Ambient Temperature Rating

EPA

Effective Projected Area: (Sq. Ft.)
2.3

SHIPPING DATA

Approximate Net Weight:
37 lbs. (17 kgs.)