

PENDERGRAST PARK MASTER PLAN (2017)

PROJECT SUMMARY (DISTRICTS 2&6)

PROJECT CONSISTED OF CREATING A FORMAL MASTER PLAN FOR THE PARK IN COLLABORATION WITH THE FRIENDS GROUP AND THE GREATER COMMUNITY AND CONSTRUCTING PHASE 1 PRIORITY ITEMS AS DETERMINED BY PUBLIC INPUT AND FUNDING.

PROJECT TEAM

DANIEL DART (LANDSCAPE ARCHITECT), TBD (GENERAL CONTRACTOR)

PROJECT ESTIMATE

TOTAL MASTER PLAN \$396,000. PHASE I FUNDING \$60,000.

PUBLIC INPUT MEETINGS

ALL PUBLIC MEETINGS TOOK PLACE IN 2015 AND INCLUDED THE PARK'S FRIENDS GROUP

- THE PURPOSE OF THESE MEETINGS WAS TO GIVE CITIZENS A CHANCE TO VOICE WANTS AND NEEDS FOR THE NEIGHBORHOOD PARK.
- AFTER AN INFORMAL PLAN WAS DEVELOPED A MORE FORMAL PLAN WITH COST ESTIMATE WAS CREATED TO HELP AID IN FUNDRAISING

TIMELINE

PHASE 1 COMPLETION TBD, TOPOGRAPHIC SURVEY UNDERWAY

PENDERGRAST PARK MASTER PLAN

COST ESTIMATE

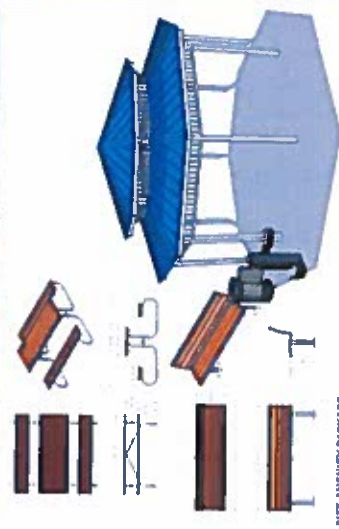
PHASE I

	Quantities	Cost	Unit	Total
Site Prep	-	-	-	\$67,000.00
Utilities	-	-	-	\$7,000.00
Parking	-	-	-	\$22,000.00
Shelter	-	-	-	\$40,000.00
Playground	-	-	-	\$100,000.00
Site Amenities	-	-	-	\$25,000.00
Trails	-	-	-	\$60,000.00
Garden	-	-	-	\$5,000.00
Landscaping	-	-	-	\$70,000.00

TOTAL ESTIMATE

Total Estimate \$396,000.00

PARK MASTER PLAN



SITE AMENITY PACKAGE



		Pendergrast Park DeKalb County, Georgia	
PROJECT NO. 2018-0011 DATE 10/2018	SHEET NO. 1 OF 2 TITLE SITE DETAILS	SCALE 1" = 100'	
PREPARED BY: [Name] CHECKED BY: [Name] APPROVED BY: [Name]			
CONSULTING ENGINEER: [Name] LICENSE NO. [Number]			

