



Department of Purchasing and Contracting
NON-COMPETITIVE PROCUREMENT REQUEST FORM

Requesting Department: Watershed Management
Department Contact Person: _____ Telephone: _____
Email: _____

Requisition Number: 700635 Suggested Supplier: Duperon Corporation
Estimated Amount of Purchase: _____
Detailed Description of the Goods or Services to be purchased: _____

Emergency (For Emergency Requests, Please check this box and answer all questions below.)

1. Date and Time of Emergency Occurrence: _____

2. Please state the nature of the emergency posing a risk to public health, welfare, safety or resources:

3. State how the Estimated Amount was determined to be Fair and Reasonable (attach supporting documentation):

Sole Source (Please check box and answer all of the following completely.)

1. Provide an explanation why the product, service or supplier requested is the only method that can satisfy the requirements. Please explain why alternatives are unacceptable. Be specific with regard to specification, features, characteristics, requirements, capabilities and compatibility. (Attach additional documents, if necessary):

2. Will this purchase obligate us to a particular vendor for future purchases? (Either in terms of maintenance that only this vendor will be able to perform and/or if we purchase this item, will we need more "like" items in the future to match this one?) Explain in detail.

3. Explain the impact to the County or Public if this request is not approved.

I hereby request that this non-competitive procurement request be approved for the purchase of the above stated work, material, equipment, commodity, or service.

Department Director (Typed/Printed Name): _____

Signature: Provided on previous form Date: T.C.

Do Not Write Below – for the Department of Purchasing and Contracting Use Only

Procurement Agent (Typed/Printed Name) Charles N. Smith

Signature: Charles N. Smith Date: 10/24/17

Procurement Manager (Typed/Printed Name) Cathryn Horner

Signature: Cathryn Horner Date: 10/24/17

Approved Not Approved

Signature: Rad. Clark, Director, Department of Purchasing and Contracting Date: 10/25/17

(Additional information, attach pages if required):

Note that this form was submitted prior to the the revision of the Non-Competitive Procurement Request Form on 9/21/2017.

Please see the attached form submitted by the User Department.



Department of Purchasing and Contracting
NON-COMPETITIVE PROCUREMENT REQUEST FORM

Requesting Department: Watershed Management
Department Contact Person: Mr. Colin J. Decker Telephone: 770 808-2913
Email: cjdeckar@dekalbcountyga.gov

Requisition Number: 700635 Suggested Supplier: Duparon Corp
Estimated Amount of Purchase: \$ 250,000.00
Detailed Description of the Goods or Services to be purchased: Complete teeth assembly and chain for the ILS Bar screen Flex Rake Replacement

Emergency (For Emergency Requests, Please check this box and answer all questions below.)

1. Date and Time of Emergency Occurrence: _____

2. Please state the nature of the emergency posing a risk to public health, welfare, safety or resources:

3. State how the Estimated Amount was determined to be Fair and Reasonable (attach supporting documentation):

Sole Source (Please check box and answer all of the following completely.)

1. Provide an explanation why the product, service or supplier requested is the only method that can satisfy the requirements. Please explain why alternatives are unacceptable. Be specific with regard to specification, features, characteristics, requirements, capabilities and compatibility. (Attach additional documents, if necessary.):

Flex Rake Bar screen at Snapfinger ILS for raking debris from the sewer system. Without proper raking all the debris will go through ILS and possible chance to damage costly pump and impellers, which make highly expensive to repair and

2. Will this purchase obligate us to a particular vendor for future purchases? (Either in terms of maintenance that only this vendor will be able to perform and/or if we purchase this item, will we need more "like" items in the future to match this one?) Explain in detail.

Yes, Duperson Corp. is the sole distributor for their proprietary parts and equipment of their flex Rake System.

3. Explain the impact to the County or Public if this request is not approved.

With out the Bar Screen Flex Rake the ILS is at risk of costly damage, spill, unexpected down time, and possible chance of sewer system backing up and spill through the surrounding manholes. It will be an EPD/EPA and public health

I hereby request that this non-competitive procurement request be approved for the purchase of the above stated work, material, equipment, commodity, or service.

Department Director (Typed/Printed Name): Scott A. Towler Signature: Scott A. Towler Date: 7/13/2017

Do Not Write Below – for the Department of Purchasing and Contracting Use Only

Recommendation and Comments

See attached.

Approved Not Approved

Signature: _____, Director, Department of Purchasing and Contracting Date: _____

Print Form

9/18/17 10/24/17

Public Notice of Proposed Award of Sole Source Procurement

Section A – Description of Proposed Sole Source Procurement

Description of Supplies/Services: Rehabilitation of Duperon Flex Rake Bar Screen System

Demonstration of Contractor's Unique Qualifications: Duperon Corporation is the only known source of supply for the service part required for the Flex Rake Bar Screen rehabilitation project. These products were patented by Duperon Corporation and they are not made under license or other arrangement by any other manufacturer.

Section B – To Be Completed by the Department of Purchasing and Contracting

Market Survey Results

Date Public Notice posted on website: September 22, 2017

Date Public Notice closed: September 28, 2017

Review of Offers

Were any offers received (Yes/No): No

Number of offers received: Responders: No

Purchasing Agent review and recommendation:

The bar screen systems have been in operation for 10 years. Duperon Corporation is the sole source and patent holder for all of the parts required for the project. There are three (3) bar screens systems at the Snapfinger Water Facility. Over the last 33 months, the County has spent \$24,762 in 2015, \$12,997 in 2016, and \$62,101, so far, in 2017. To date, the total expenditures to on Duperon Bar Screen Systems maintenance is \$99,860.

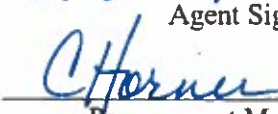
This requirement was advertised for the mandatory five (5) day period on the Purchasing and Contracting Website and no responses were received. The parts required from this manufacturer are necessary to provide standardization and parts interchangeability. No other competitive parts are interchangeable with the current equipment at the Snapfinger Advance Water Treatment Facility. I recommend of approval of award to Duperon Corporation on a sole source basis.



Agent Signature



Date



Procurement Manager Signature



Date



DeKalb County
GEORGIA

770.621.7200 (o) | Watershed Management
770.621.7271 (f) | 1580 Roadhaven Drive
DeKalbCountyga.gov | Stone Mountain, GA 30083

MEMORANDUM

TO: Scott A. Towler, P.E., Director, Department of Watershed Management
 THRU: Reginald Wells, Deputy Director, Construction & Maintenance
 FROM: Colin J. Decker, Manager Snapfinger AWTF
 DATE: June 23, 2017
 SUBJECT: Sole Source Request Justification - Duperon Corporation (\$250,000.00 Contract Purchase Agreement)

SAD
7/13/17
J.C.W.

Chief Executive Officer
Michael Thurmond
Board of Commissioners
District 1
Nancy Jester
District 2
Jeff Rader
District 3
Larry Johnson
District 4
Stephen Bradshaw
District 5
Mereda Davis Johnson
District 6
Kathie Gannon
District 7
Gregory Adams Sr.

The three (3) Duperon bar screens at the influent lift station are 10 years old and with the exception of replacing the head assemblies and some individual sections of the rakes, the screens have never been rebuilt. Currently all three (3) screens are functioning, but after careful evaluation we believe it is necessary to rehab the three (3) screens to see if this helps to alleviate some of the clogging during heavy rain storms.

The Duperon Corporation Sole Source Request that was approved November 29, 2016 for \$80,000.00 has approximately \$17,001.40 left on the CPA and we would like to increase the amount to \$250,000.00 to include the anticipated funding for 2017.

We are in the planning process of rebuilding one of the screens with all new rakes and are requesting funds to rebuild the other two. An entire set of rakes for one bar screen comes to \$55,000. We will need two sets of the rakes to rebuild the remaining two bar screens, and a third set to have on the shelf, which will come to a cost of \$165,000.

It will also be crucial to purchase two (2) sets of chains (\$44,000.00) to transport the rakes on the screens, two (2) drive assemblies (\$21,500.00) and the bearing arms, debris blades, pins and other general replacement materials (\$19,500.00) for a total cost of \$85,000.00 .

The bar screens routinely lose pins and retainer rings during their operation, therefore replacing these items are a normal part of our preventive maintenance schedule. Approximately \$5000.00 or 2% of this budget request will be allocated for PM items each year.



July 25, 2017

DeKalb County Department of Purchasing and Contracting
Attn: Charles N. Smith
1300 Commerce Drive, 2nd Floor
Decatur, GA 30030

Dear Mr. Smith,

Per your request, the intent of this letter is to confirm that Duperon Corporation® is the sole source for the Duperon® service parts and all associated accessories in Georgia. These products were patented by Duperon Corporation and are not made under license or other arrangement by any other manufacturer.

If you have any further questions or concerns, please do not hesitate to contact me at 800.383.8479 or dwagoner@duperon.com

Thank you,

Mr. David Wagoner
Duperon Corporation
Service Manager

SCREEN SCRAPER FOR TRASH RACKS

This invention relates to a screen scraper for trash racks of the type adapted to be installed in a stream of flowing water upstream of a pump or other apparatus to be protected from trash which could injure the pump or other apparatus, and more particularly to apparatus for cleaning accumulated debris from the upstream side of the trash rack.

BACKGROUND OF THE INVENTION

Canals, drainage ditches, irrigation channels, and the like frequently are contaminated with debris such as tree limbs, grass clippings, leaves, tires, beverage containers, plastic and textile bags, and various other kinds of trash. If such debris is permitted to enter a pump or other water treating apparatus, such apparatus could be seriously damaged. It is the practice, therefore, to protect such apparatus by mounting a stationary trash-collecting rack or screen in the stream of water upstream of the apparatus to be protected. Such a rack or screen, however, can become so clogged with trash and other debris as to prevent or severely restrict the flow of water through the rack to the pump or other apparatus.

To minimize the effects of rack clogging, it is customary to provide a mechanism for preventing the accumulation of debris on the screen. The known forms of anticlogging mechanisms employ a plurality of chains supported at their upper and lower ends by drums mounted on a rigid framework integral with the trash rack and supporting traveling debris-engaging fingers. Such a mechanism is disclosed in U.S. Pat. No. 4,709,804. Although this anticlogging mechanism functions well for its intended purpose, it does not remove debris which is of such nature as to slip by the chains and become plastered on the screen. That is, such mechanism does not perform a screen cleaning function.

SUMMARY OF THE INVENTION

A trash screen cleaning apparatus constructed in accordance with the invention comprises an upper rotatable drum around which at least a pair of endless chains are trained to form spaced apart upwardly and downwardly movable runs. The drum is driven in a direction to move the runs in their upward and downward directions, respectively. Secured to the chains at longitudinally spaced apart intervals is a plurality of trash supports for engaging any trash that may have accumulated on the upstream side of a stationary trash screen.

Each chain comprises a plurality of links joined at their adjacent ends by pivot connections which have abutments that confront one another to limit the range of relative pivotal movement of the adjacent links and maintain the runs in laterally spaced relation to one another, even when the runs are inclined to vertical.

The chain construction obviates the need for a complex framework and the heretofore required lower turning drum for the chain, thereby enabling the achievement of substantial savings. There need be no framework below the waterline, thereby reducing corrosion. The apparatus may be fitted to an existing trash collecting screen with little or no modification of the screen.

Improved flexibility also is achieved over the known cleaning mechanisms since the conveyor chains are freely suspended from the upper drive drum and not restrained at their lower end by a sprocket or drum.

This permits the chains to deflect in a direction away from the trash screen to accommodate oversized objects between the chains and the screen.

In a preferred embodiment of the invention the upper drum is swingable in directions upstream and downstream to assist in the accommodation of large objects which might otherwise become jammed between the cleaning apparatus and screen and cause the cleaning apparatus to stall or become damaged.

THE DRAWINGS

A presently preferred embodiment of the invention is disclosed in the accompanying drawings, wherein:

FIG. 1 is a side elevational view of the apparatus mounted in an operable position upstream of a trash screen;

FIG. 2 is an end elevational view of the apparatus;

FIG. 3 is a reduced scale view similar to FIG. 1, but showing upstream deflection of the apparatus to accommodate an oversized object between the screen and the chains;

FIG. 4 is an enlarged, perspective, fragmentary view of the drive drum and chain connection;

FIG. 5 is an enlarged, fragmentary side elevational view of the pivot connection between adjacent links; and

FIG. 6 is a view like FIG. 3 but illustrating upstream flexure of the downward chain run to accommodate the passage of a large object caught between the upward and downward runs of the chain.

DETAILED DESCRIPTION

Screen cleaning apparatus constructed in accordance with the disclosed embodiment of the invention is indicated generally by the reference numeral 10 and is shown in the drawings as being installed in a flowing stream of water S and upstream from a stationary pump house 12 having a pump (not shown) therein. The pump house 12 also is positioned in the stream of water which flows in the direction of the arrow W in FIG. 1. The pump house has an opening in its upstream side through which water from the stream may enter. Upstream of the pump is a screen or grid 14 having a plurality of rods or bars 16 that are spaced from one another a distance sufficient to enable water to flow freely through the screen, but block the passage of debris that could damage the pump. As illustrated in FIG. 1, the upstream side of the screen 14 is generally upright and planar, but inclined to the vertical upwardly and in the direction of flow W.

The screen cleaning apparatus 10 comprises a pair of spaced apart, upstanding supports 18 mounted atop the pump house 12 and supporting a horizontal cross beam 19. The cross beam 19 is provided with angled mounting brackets 19a which mount a pair of parallel hanger arms 20 of equal length. Each hanger arm is pivoted at its upper end to the associated bracket as at 22 and at its lower end by a pin 24 to a housing or carriage 26 which provides support for a rotary drum 28. The drum 28 has a rotary shaft 29 defining an axis of rotation and journaled at its ends by the carriage 26. The drum is rotated in the direction of arrow A by an electric motor 30 and a sprocket chain drive assembly 31 carried by the housing 26.

The shaft 29 has fixed thereto an identical pair of spaced apart sprockets 32 around each of which is trained an endless chain 34 of identical construction. Each chain forms a closed loop L having upward and

downward flights or runs 36, 38, respectively, that are generally linear and approximately parallel and drivingly coupled to the sprockets 32 as will be described in greater detail below.

Each chain 34 includes a plurality of elongate, rigid bar links 40 that are joined end-to-end by pivot connections P constructed to limit relative movement of the links in one direction only from a position in which the links are in linear prolongation of each other. A preferred construction for the pivot connection is a knuckle joint formed in part by a yoke at the leading end of each link defined by a pair of spaced apart loops 42 and between which is accommodated a corresponding hinge loop 44 on the trailing edge of the adjacent link. The interleaved hinge loops 42 and 44 have aligned eyes or apertures accommodating a pivot pin 46 for hinging the adjacent links to one another.

The knuckle joints permit two adjacent links 40 to pivot freely relatively to one another in one direction only (see the arrow B in FIG. 1) from a position in linear prolongation of one another. Such pivotal movement is limited by engagement between first abutment surfaces 50, 52 on each adjacent pair of links and so positioned as to engage one another when the links are moved to an extreme position.

Additional abutments are provided on the confronting ends of each adjacent pair of links and limit the pivotal movement of the links in the opposite direction beyond a point where the adjacent links extend generally in linear prolongation of one another. Specifically, end abutments 54 and 56 of the hinge projections 42, 44 are positioned to engage corresponding abutments 58 and 60 of adjacent links when two adjacent links are moved to the position of linear prolongation.

The interleaved relationship between the parts of the knuckle joints 42, coupled with the abutments on opposite sides of each projection 44, ensures that two adjacent links can pivot in only one direction from the position of linear prolongation. Consequently, the downward run 36 may transition at the bottom 53 of the loop L to the upward run without any drum or other device being located between the runs at the bottom of the loop. Thus, the lower transition or bottom of the loop is vertically movable for reasons to be explained subsequently. The bottom of the loop normally is at a level below the surface of the stream S.

A plurality of scraper blades 62 is detachably connected to the chains 34 at longitudinally spaced intervals for movement with the chains. Each scraper blade comprises a strip 64 of polyurethane or other durable material that spans and is secured to the chains 34 via integral mounting brackets 66 projecting transversely from the trailing hinge projection 44 of selected ones of the links. Each bracket 66, shown in detail in FIG. 5, has an upstanding wall 68 perpendicular to the chain 34. Each scraper blade 64 bears against the wall 68 and terminates in a free edge 70 so as to be able to bear against the screen. Each blade 64 is secured to its mounting bracket 66 by threaded fasteners 72 passing through aligned apertures in the blade and wall 68, with the heads of the fasteners 72 confronting the underside of the blade 64 to capture the blade between the head and the wall 68. The threaded shank of each fastener extends into an open pocket 74 and is provided with a nut 76. The nut 76 may be tightened against the front surface 77 of the pocket 74 to force the free end of the shank tightly against the back wall 79 of the pocket to lock the fastener 72 detachably to the mounting bracket

66. Each blade 64 is free to flex and bend without loosening the fastener 72.

Each of the links 40 is provided with two arcuate notches 78, one adjacent each end. As the chains 34 are carried around their sprockets 32, the links making the turn are caused to pivot in the direction of arrow B bringing the notches 78 of adjacent links nearer to one another. Each of the sprockets 32 has a plurality of circumferentially spaced, transverse drive pins 80 which removably may be captured in two notches 78 of two adjacent, pivotally adjusted links and are so spaced as to provide a non-slip drive coupling between the chains 34 and the drums 32, as illustrated in FIG. 4.

In the operation of the apparatus 10 as thus far described, the drum 32 is rotated in the direction of arrow A so that the downstream chain flight or run 38 moves upwardly at a low rate of speed. Due to the inclination of the screen rods 16 and the relative positioning of the drum 32, the free edge 70 of each successive scraper blade 64 is urged by gravity and stream flow against the screen rods 16 so as to scrape material off the screen rods 16 and carry such material upwardly. As each successive scraper blade 64 begins to make the turn around the drum 32, it will assume a vertical position at a point in the turn that is downstream, i.e., to the right, of the rotary shaft 29, as illustrated in FIG. 4, thereby enabling debris supported by such blade to fall by gravity into a deflecting shield 82 which deflects the debris toward a receiver or trough 84 mounted atop the pump house 12. The receiver 84 may be fitted with an auger or other device (not shown) for moving the material out of the receiver for disposal.

As illustrated in FIG. 1, the engagement of the screen 14 by the blades 64 normally maintains the upward run 38 of the chains at a uniform spaced distance upstream from the screen 14 so as to define a gap G therebetween which is wide enough to accommodate most debris such as leaves, grass, small limbs, and the like. However, should a large object T (FIG. 3) such as a stump, tire, or large tree limb become lodged against the upstream surface of the stream 14, the entire chain assembly can swing upstream, or away from the screen in the direction of arrow C, so as to widen the gap between the chain and screen by whatever amount is necessary to accommodate such object. The scraper blade 64 may then either pass by the object or carry the object upwardly to the receiver 84 for disposal.

The upstream deflection of the chain assembly is due in part to the construction of the chains which enables them freely to be hung or suspended from the drums 32 without the provision of a lower turning drum. The pivotal mounting of the drum 32 on the support 19 also enables the upper end of the chain and the drive assembly to rock both upstream and downstream.

A pair of rollers 86 depends from the housing 26 at a level below that of the axis of the drum and each roller rides on the inner surface of the associated chain 34 along its upward run 38. If a large object is engaged by a scraper blade 64 and carried upwardly, the rollers 86 cause the drum and the drive assembly to deflect in the direction of arrow C without affecting the presentation of the chain to the drum 32.

Should a large object, such as a tire, position itself between the upward and downward runs of the chain, as shown in FIG. 6, such object could be engaged by two of the scraper blades 64 as they pass one another in traversing the upward and downward runs. The ability of the chains 34 to pivot in one direction only from

5

positions in linear prolongation of one another enables the downwardly moving run 36 to flex away from the run 38 in the direction of arrow C so as to enlarge the space between the runs until such time as the blades distance themselves sufficiently to release the object. The lower transition zone of the runs, or the bottom of the loop, is free to move upwardly to accommodate such expansion. Once released, gravity will return the chains to the normal operative position illustrated in FIG. 1.

The scraper blades 64 may be selected from a number of different configurations, depending on the usage. For instance, the free edge 70 of a blade may be flat, as illustrated, or notched so that projections of the blade extend into the space between the screen rods. The free edge 70 also may be provided with brushes for scrubbing the rods 16 to prevent algae growth and the encrustation of zebra mussels. The chain drive sprockets 32 also may have inwardly tapered guide walls 88 which serve constantly to align the chains 34 with the sprockets 32 should the chains shift to one side or the other during operation in the direction of double headed arrow D in FIG. 2.

The disclosed embodiment is representative of the preferred form of the invention, but is intended to be illustrative rather than definitive thereof. The invention is defined in the claims.

I claim:

1. Apparatus for removing debris from an upright screen occupying a position in a flowing stream, said apparatus comprising:

a turning drum;

means mounting said drum at a first level above that of said screen and for rotation about an axis;

at least one endless chain trained around said drum to transition from an upward run adjacent said screen to a downward run upstream of and spaced from said upward run, said chain being composed of a plurality of adjacent links pivoted to one another at adjacent ends;

coupling means drivingly coupling said chain to said drum;

a plurality of scraper blades secured to said chain at spaced intervals;

means for rotating said drum about said axis in a direction to cause said upward run of said chain to move upwardly and said scraper blades successively to traverse and scrape said screen; and

pivot limiting means reacting between the adjacent ends of said links for enabling adjacent links to pivot in one direction only from a position in which said adjacent links extend in linear prolongation of one another.

2. Apparatus according to claim 1 wherein the means mounting said drum enables swinging movements of said drum in opposite directions upstream and downstream of said stream.

3. Apparatus according to claim 1 wherein said coupling means comprises circumferentially spaced pins on said drum and notches adjacent opposite ends of each of said links for the accommodation of said pins.

4. Apparatus according to claim 3 wherein the notches in the adjacent ends of adjacent links are so

6

located that one of said pins may be accommodated in the notch at the adjacent end of each of said adjacent links.

5. Apparatus according to claim 1 including receiver means at a level above that of said screen for receiving debris discharged from each of said scraper blades as it moves from said upward run toward said downward run.

6. Apparatus according to claim 1 wherein nothing occupies the space between said upward and downward runs at the transition from said downward run to said upper run.

7. Apparatus according to claim 1 including roller means carried by said drum for engaging said chain adjacent the upper end of said upward run at a level below that of said axis.

8. Apparatus according to claim 1 wherein said pivot limiting means comprise abutments at the ends of each of said links, the abutments at the ends of adjacent links engaging one another when such links are in linear prolongation of one another.

9. Apparatus for removing debris from an upright screen occupying a position in a flowing stream, said apparatus comprising:

a turning drum;

means mounting said drum at a first level above that of said screen and for rotation about a horizontal axis;

a pair of transversely spaced, endless chains each forming a closed loop and trained around said drum to transition from an upward run to a downward run upstream of and spaced from said upward run, each of said chains having a lower transition from said downward run to said upward run at a level below that of said drum, each of said chains being composed of a plurality of adjacent links pivoted to one another at adjacent ends;

a plurality of scraper blades spanning said chains and joined thereto at spaced intervals;

coupling means drivingly coupling said chains to said drum;

means for rotating said drum about said axis to cause said upward run to move upwardly and enable said scraper blades successively to traverse and scrape said screen; and

pivot limiting means reacting between adjacent ends of each of said links for enabling adjacent links to pivot in one direction only from a position in which said adjacent links extend in linear prolongation of one another, said pivot limiting means enabling said runs to be substantially parallel to one another and swingable together about said axis in a direction upstream from said screen.

10. Apparatus according to claim 9 including means mounting said drum for rocking movements upstream and downstream.

11. Apparatus according to claim 9 wherein nothing occupies the space between said upward and downward runs at said lower transition, thereby enabling the links of each of said chains at said lower transition to move upwardly.

* * * * *

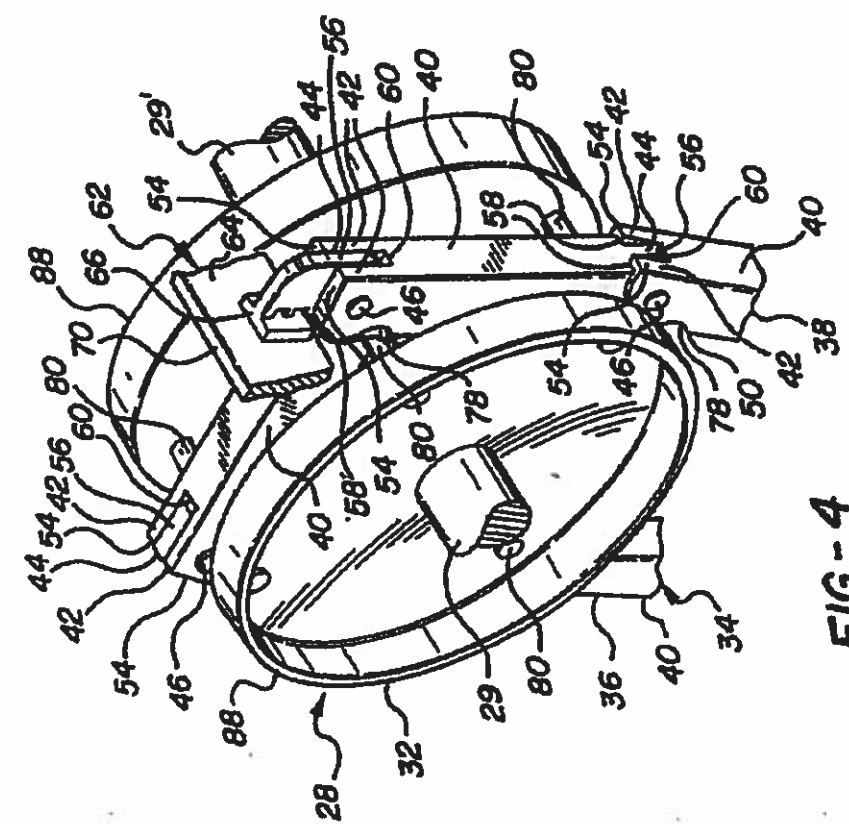


FIG-4

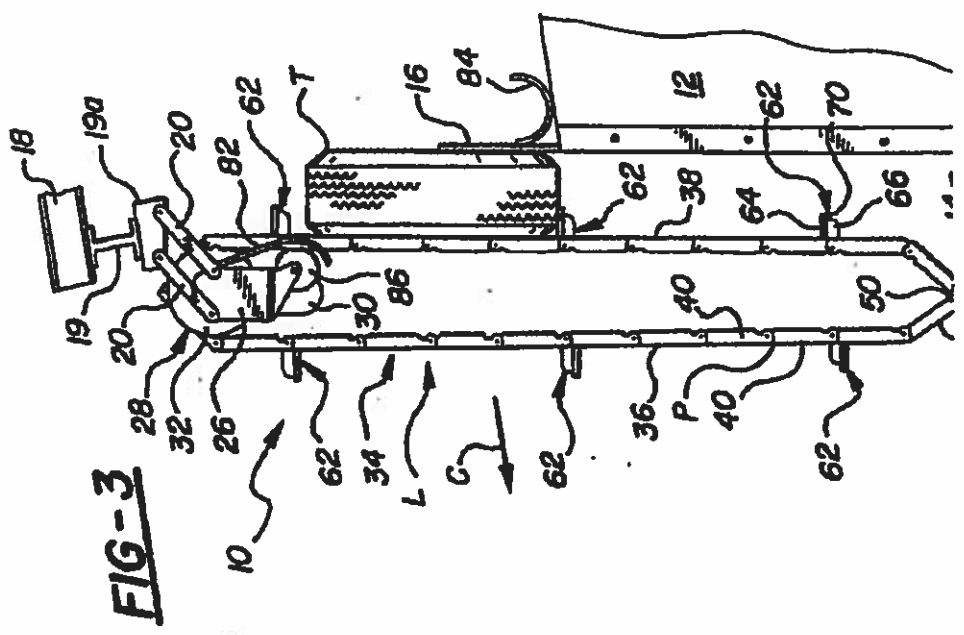


FIG-3

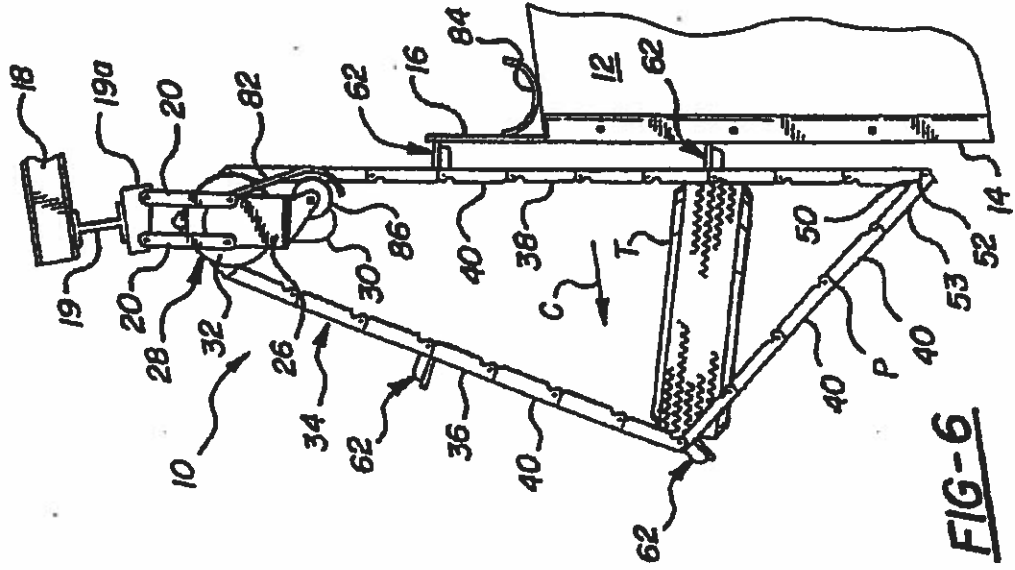


FIG-6

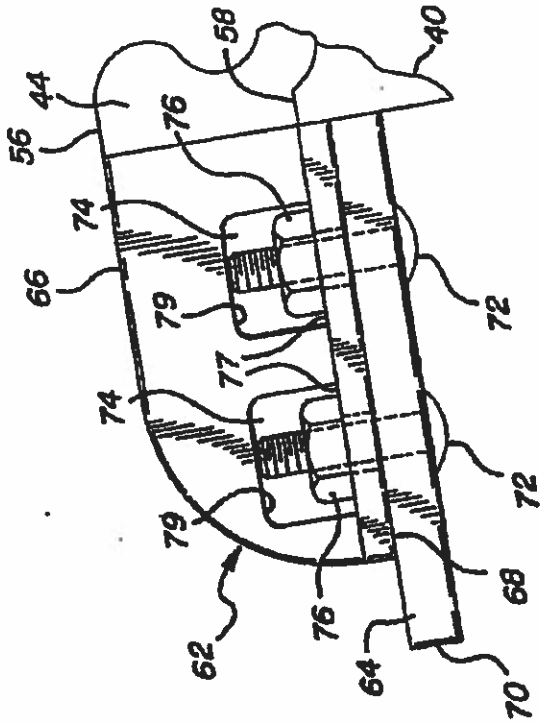


FIG-5

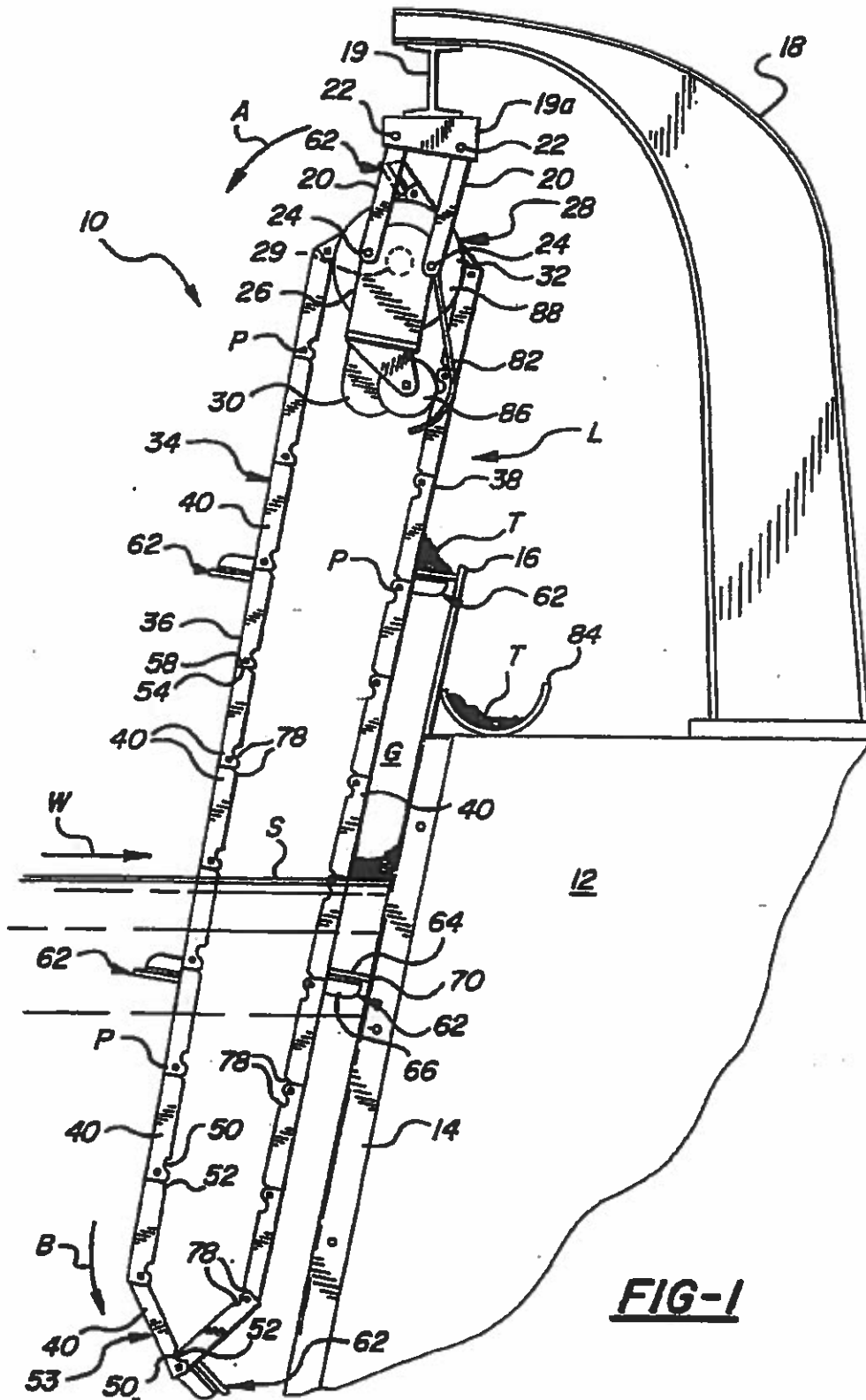


FIG-1

